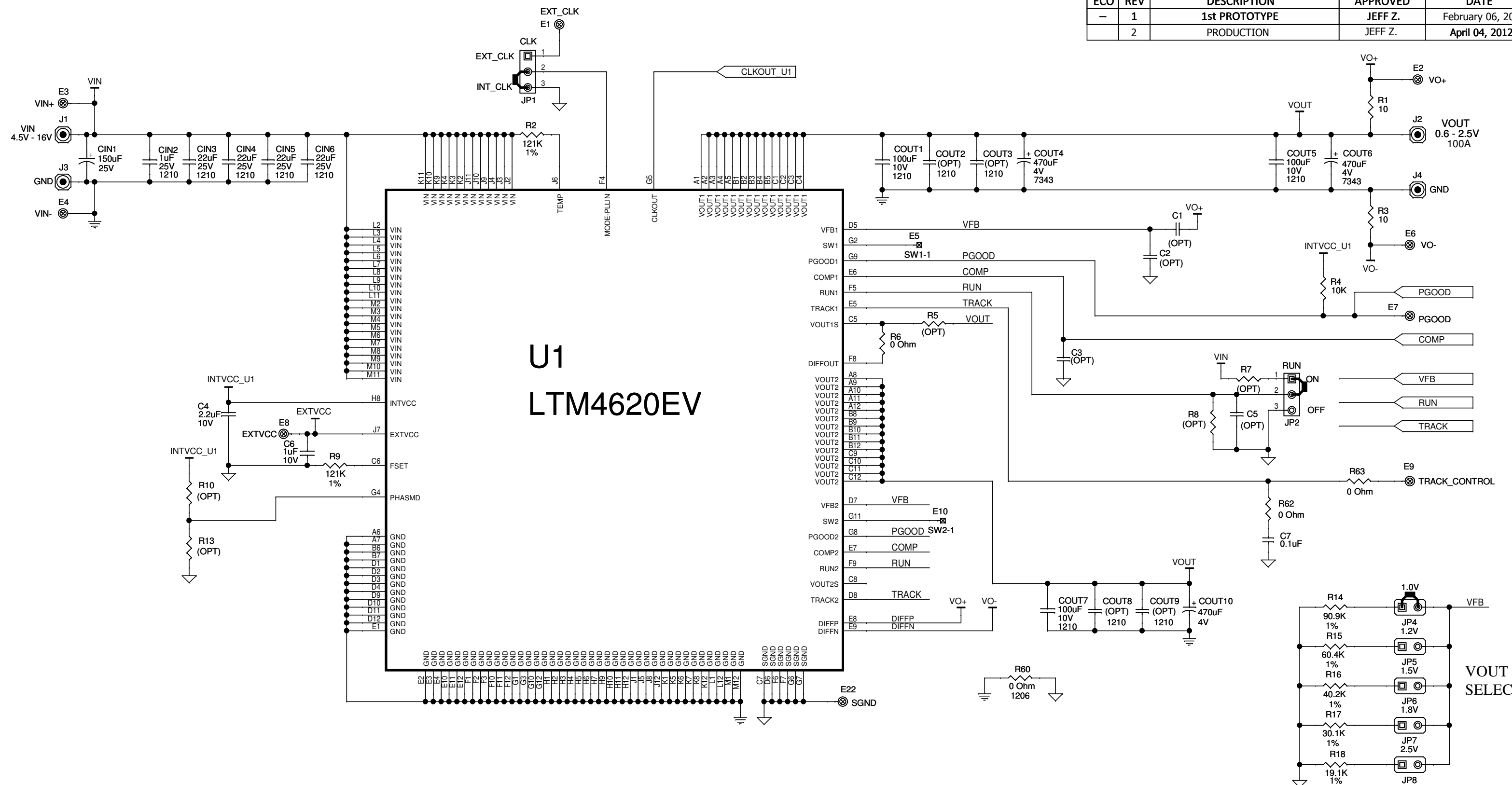


REVISION HISTORY				
ECO	REV	DESCRIPTION	APPROVED	DATE
-	1	1st PROTOTYPE	JEFF Z.	February 06, 2010
	2	PRODUCTION	JEFF Z.	April 04, 2012

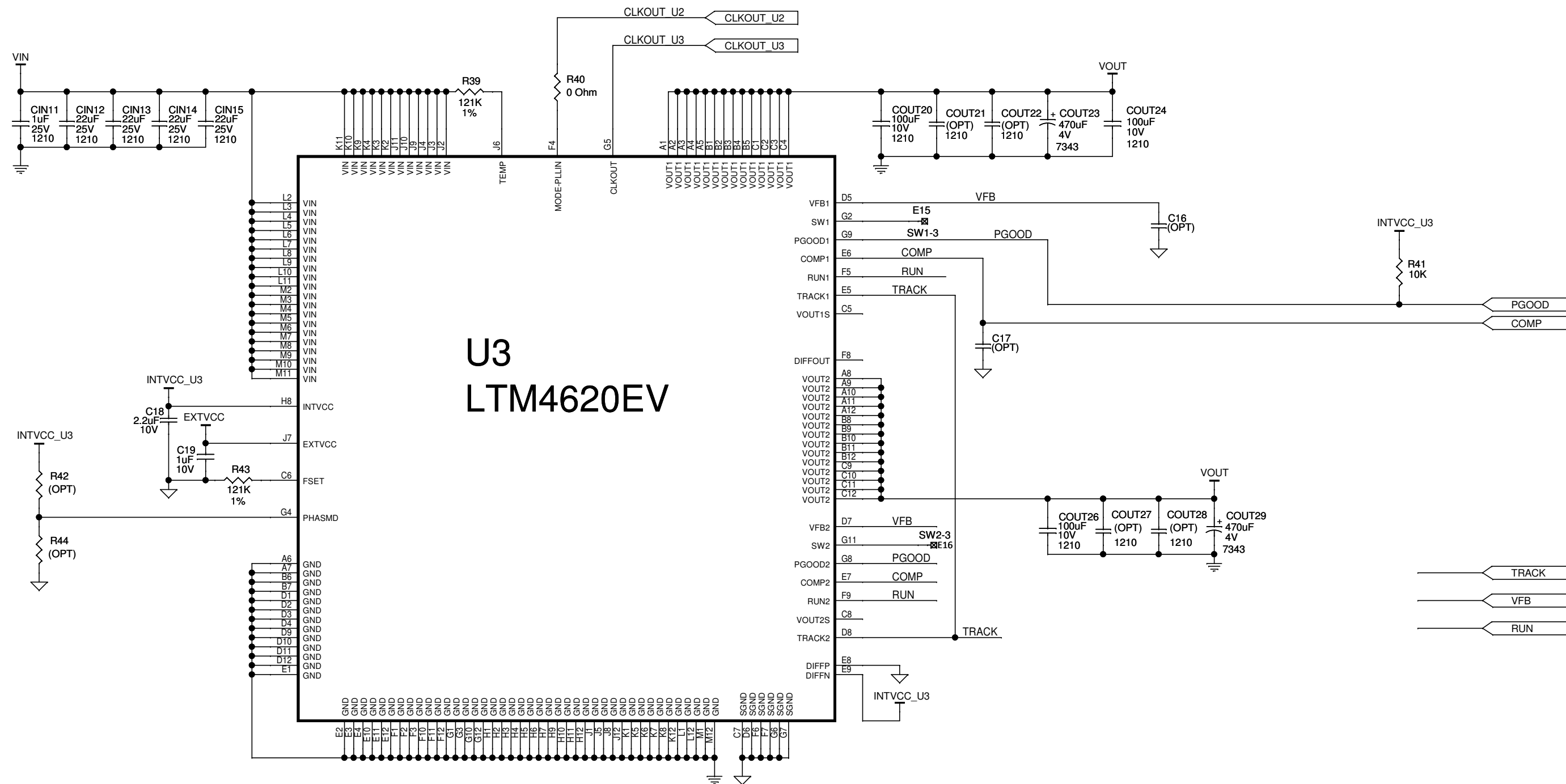


NOTE: UNLESS OTHERWISE SPECIFIED.
 1. ALL RESISTORS 0603.
 2. ALL CAPACITORS 0603.

CUSTOMER NOTICE
 LINEAR TECHNOLOGY HAS MADE A BEST EFFORT TO DESIGN A CIRCUIT THAT MEETS CUSTOMER-SUPPLIED SPECIFICATIONS; HOWEVER, IT REMAINS THE CUSTOMER'S RESPONSIBILITY TO VERIFY PROPER AND RELIABLE OPERATION IN THE ACTUAL APPLICATION. COMPONENT SUBSTITUTION AND PRINTED CIRCUIT BOARD LAYOUT MAY SIGNIFICANTLY AFFECT CIRCUIT PERFORMANCE OR RELIABILITY. CONTACT LINEAR TECHNOLOGY APPLICATIONS ENGINEERING FOR ASSISTANCE.
 C:\PADS PROJECTS\1780A\SCH\1780A-C_REV2\1780A-C_01_REV2.DSN
 THIS CIRCUIT IS PROPRIETARY TO LINEAR TECHNOLOGY AND SUPPLIED FOR USE WITH LINEAR TECHNOLOGY PARTS.

APPROVALS		TITLE: SCHEMATIC	SIZE N/A	IC NO. LTM4620EV	REV. 2
PCB DES.	RZB				
APP ENG.	JEFF Z.	HIGH EFFICIENCY, POLYPHASE, STEP-DOWN POWER μMODULE REGULATOR			
		DEMO CIRCUIT 1780A-C			





CUSTOMER NOTICE

LINEAR TECHNOLOGY HAS MADE A BEST EFFORT TO DESIGN A CIRCUIT THAT MEETS CUSTOMER-SUPPLIED SPECIFICATIONS; HOWEVER, IT REMAINS THE CUSTOMER'S RESPONSIBILITY TO VERIFY PROPER AND RELIABLE OPERATION IN THE ACTUAL APPLICATION. COMPONENT SUBSTITUTION AND PRINTED CIRCUIT BOARD LAYOUT MAY SIGNIFICANTLY AFFECT CIRCUIT PERFORMANCE OR RELIABILITY. CONTACT LINEAR TECHNOLOGY APPLICATIONS ENGINEERING FOR ASSISTANCE.

THIS CIRCUIT IS PROPRIETARY TO LINEAR TECHNOLOGY AND SUPPLIED FOR USE WITH LINEAR TECHNOLOGY PARTS.

APPROVALS

PCB DES. **RJB**
APP ENG. **JEFF Z.**

SCALE = NONE



1630 McCarthy Blvd.
Milpitas, CA 95035 www.linear.com
Phone: (408)432-1900
Fax: (408)434-0507

LTC CONFIDENTIAL - FOR CUSTOMER USE ONLY

TITLE: SCHEMATIC

**HIGH EFFICIENCY, POLYPHASE,
STEP-DOWN POWER μ MODULE REGULATOR**

SIZE **N/A** IC NO. **LTM4620EV** REV. **2**
DEMO CIRCUIT 1780A-C

DATE: April 04, 2012

SHEET 3 OF 4

