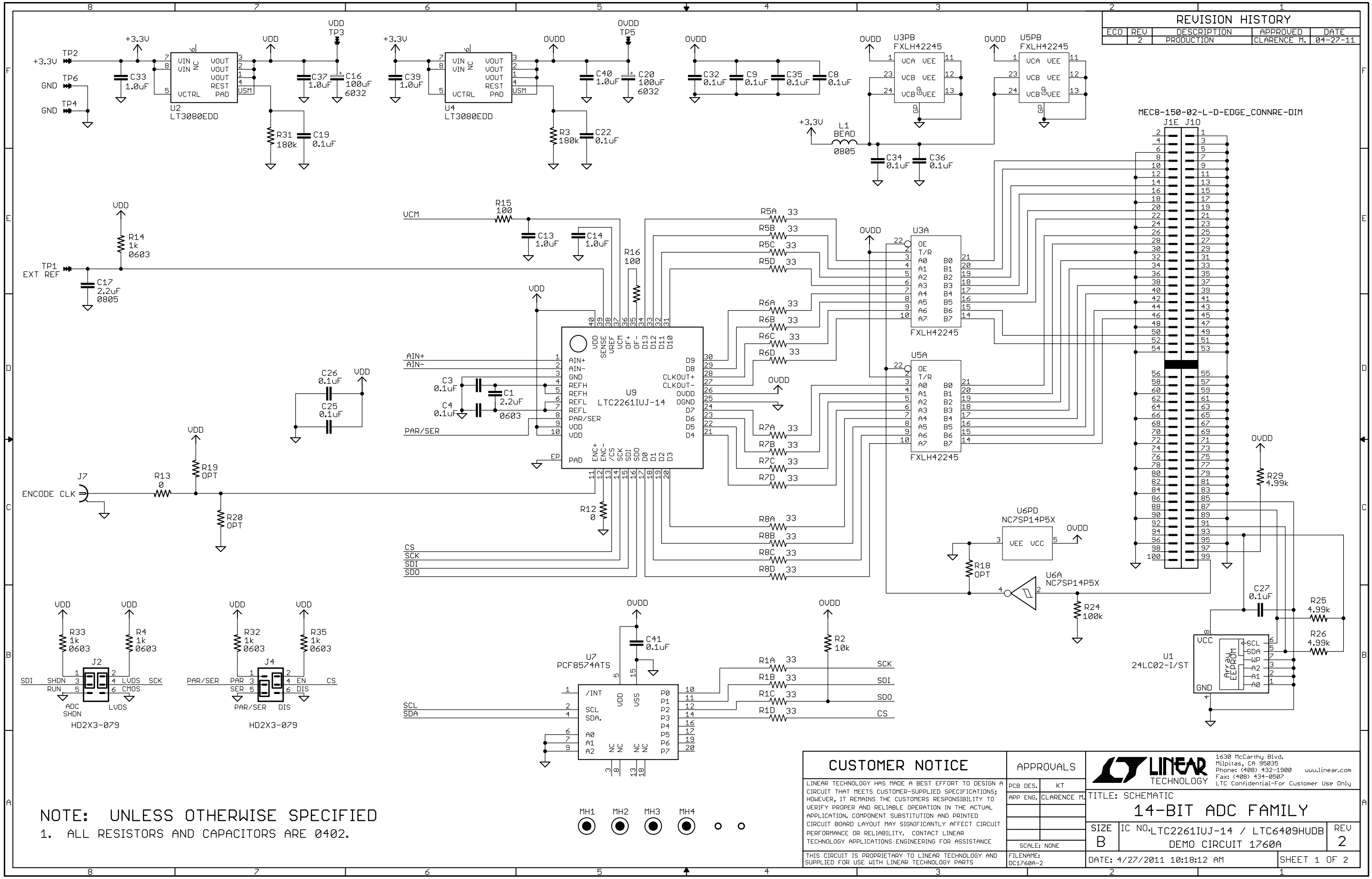


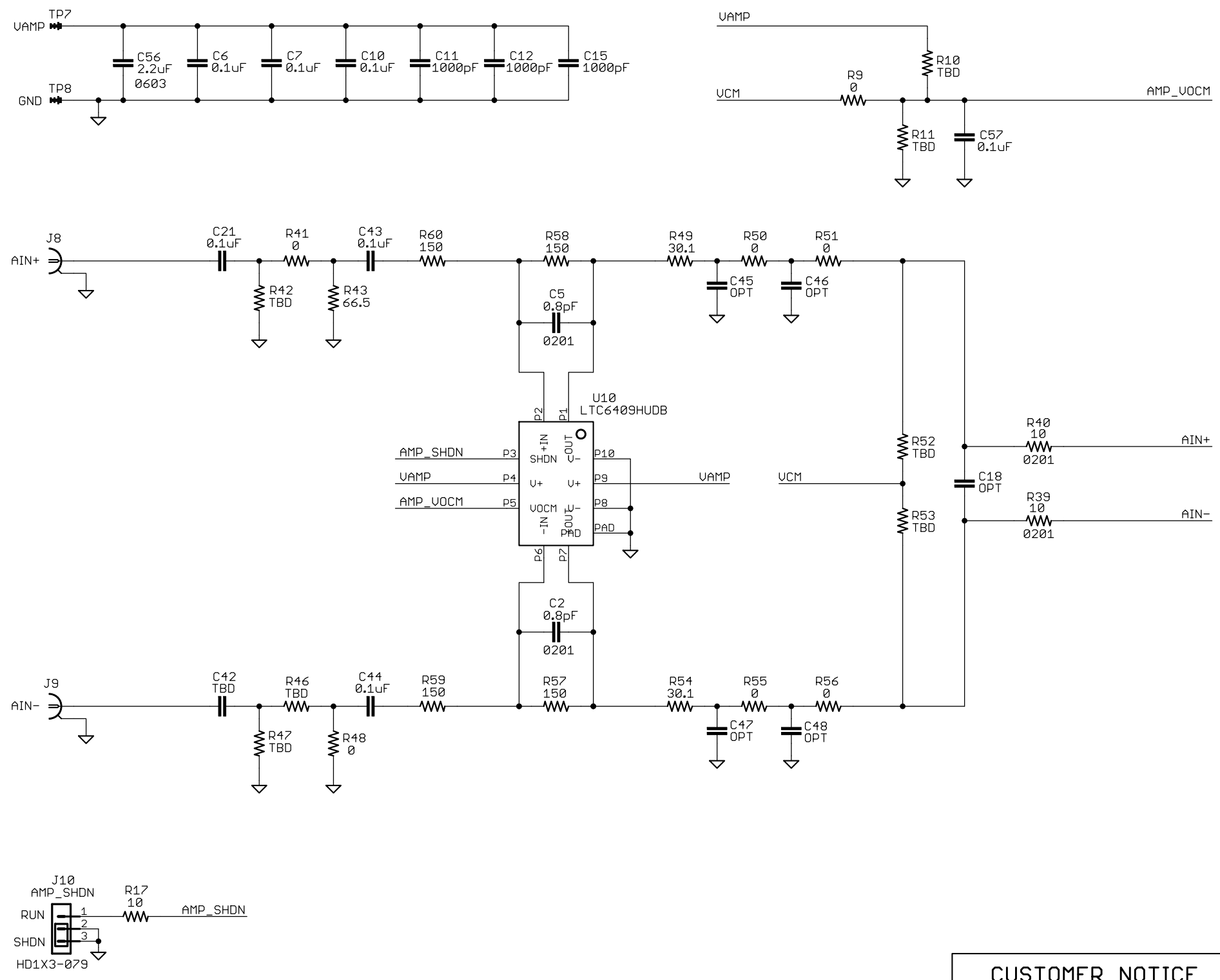
REVISION HISTORY				
ECO	REV	DESCRIPTION	APPROVED	DATE
	2	PRODUCTION	CLARENCE M.	04-27-11



NOTE: UNLESS OTHERWISE SPECIFIED
 1. ALL RESISTORS AND CAPACITORS ARE 0402.

CUSTOMER NOTICE		APPROVALS			TITLE: SCHEMATIC	
LINEAR TECHNOLOGY HAS MADE A BEST EFFORT TO DESIGN A CIRCUIT THAT MEETS CUSTOMER-SUPPLIED SPECIFICATIONS; HOWEVER, IT REMAINS THE CUSTOMERS RESPONSIBILITY TO VERIFY PROPER AND RELIABLE OPERATION IN THE ACTUAL APPLICATION. COMPONENT SUBSTITUTION AND PRINTED CIRCUIT BOARD LAYOUT MAY SIGNIFICANTLY AFFECT CIRCUIT PERFORMANCE OR RELIABILITY. CONTACT LINEAR TECHNOLOGY APPLICATIONS ENGINEERING FOR ASSISTANCE.					PCB DES. KT APP ENG. CLARENCE M.	14-BIT ADC FAMILY IC NO. LTC2261IUJ-14 / LTC6409HUDB DEMO CIRCUIT 1760A
THIS CIRCUIT IS PROPRIETARY TO LINEAR TECHNOLOGY AND SUPPLIED FOR USE WITH LINEAR TECHNOLOGY PARTS.				SCALE: NONE FILENAME: DC1760A-2	SIZE B DATE: 4/27/2011 10:18:12 AM	REV 2 SHEET 1 OF 2

1630 McCarthy Blvd.
 Milpitas, CA 95035
 Phone: (408) 432-1900 www.linear.com
 Fax: (408) 434-0507
 LTC Confidential-For Customer Use Only



CUSTOMER NOTICE

LINEAR TECHNOLOGY HAS MADE A BEST EFFORT TO DESIGN A CIRCUIT THAT MEETS CUSTOMER-SUPPLIED SPECIFICATIONS; HOWEVER, IT REMAINS THE CUSTOMERS RESPONSIBILITY TO VERIFY PROPER AND RELIABLE OPERATION IN THE ACTUAL APPLICATION. COMPONENT SUBSTITUTION AND PRINTED CIRCUIT BOARD LAYOUT MAY SIGNIFICANTLY AFFECT CIRCUIT PERFORMANCE OR RELIABILITY. CONTACT LINEAR TECHNOLOGY APPLICATIONS ENGINEERING FOR ASSISTANCE

THIS CIRCUIT IS PROPRIETARY TO LINEAR TECHNOLOGY AND SUPPLIED FOR USE WITH LINEAR TECHNOLOGY PARTS

APPROVALS	
PCB DES.	KT
APP ENG.	CLARENCE M.
SCALE: NONE	

		1630 McCarthy Blvd. Milpitas, CA 95035 Phone: (408) 432-1900 www.linear.com Fax: (408) 434-0507 LTC Confidential-For Customer Use Only	
		TITLE: SCHEMATIC 14-BIT ADC FAMILY	
SIZE	IC NO.	REV	
B	LTC2261IUJ-14 / LTC6409HUDB	2	
DEMO CIRCUIT 1760A		DATE: 4/27/2011 10:18:12 AM SHEET 2 OF 2	