

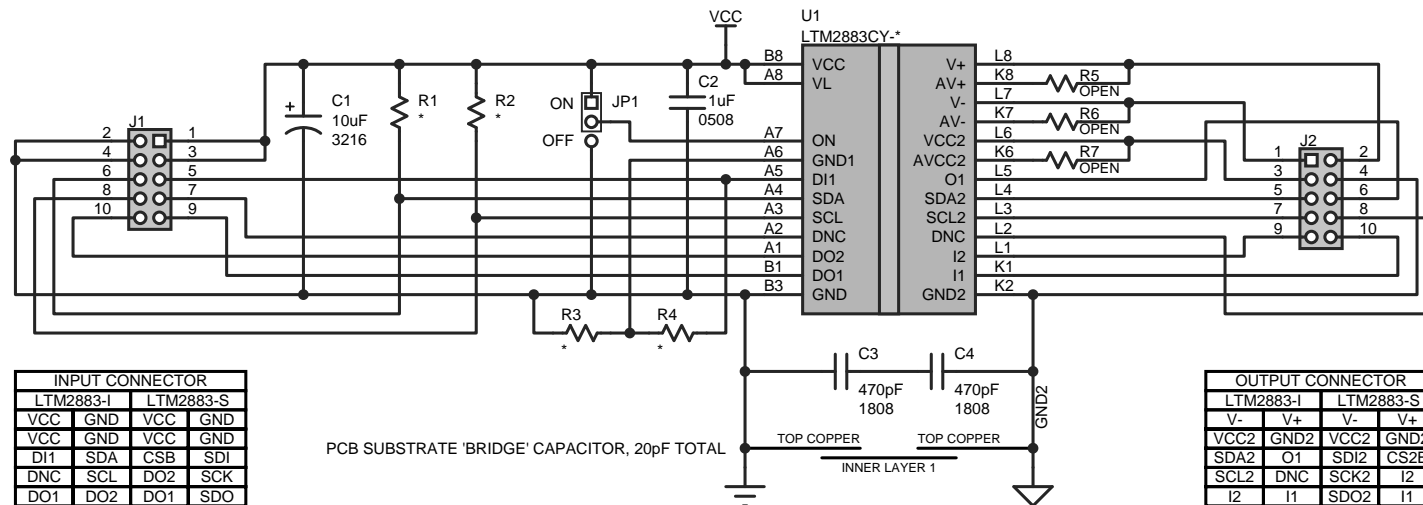
NOTES: UNLESS OTHERWISE SPECIFIED

- ALL RESISTORS ARE IN OHMS, 0805.
- ALL CAPACITORS ARE IN MICROFARADS, 0805.

ASSY	U1	VCC	R1	R2	R3	R4
-A	LTM2883CY-3S	3.0V - 3.6V	OPT	OPT	OPT	0
-B	LTM2883CY-5S	4.5V - 5.5V	OPT	OPT	OPT	0
-C	LTM2883CY-3I	3.0V - 3.6V	10K	10K	0	OPT
-D	LTM2883CY-5I	4.5V - 5.5V	10K	10K	0	OPT

REVISION HISTORY

ECO	REV	DESCRIPTION	APPROVED	DATE
-	1	1ST PROTOTYPE	KEITH B.	08-16-10



INPUT CONNECTOR			
LTM2883-I	LTM2883-S		
VCC	GND	VCC	GND
VCC	GND	VCC	GND
DI1	SDA	CSB	SDI
DNC	SCL	DO2	SCK
DO1	DO2	DO1	SDO

OUTPUT CONNECTOR			
LTM2883-I	LTM2883-S		
V-	V+	V-	V+
VCC2	GND2	VCC2	GND2
SDA2	O1	SDI2	CS2B
SCL2	DNC	SCK2	I2
I2	I1	SDO2	I1

PCB SUBSTRATE 'BRIDGE' CAPACITOR, 20pF TOTAL

CUSTOMER NOTICE

LINEAR TECHNOLOGY HAS MADE A BEST EFFORT TO DESIGN A CIRCUIT THAT MEETS CUSTOMER - SUPPLIED SPECIFICATIONS; HOWEVER, IT REMAINS THE CUSTOMERS RESPONSIBILITY TO VERIFY PROPER AND RELIABLE OPERATION IN THE ACTUAL APPLICATION. COMPONENT SUBSTITUTION AND PRINTED CIRCUIT LAYOUT MAY SIGNIFICANTLY AFFECT CIRCUIT PERFORMANCE OR RELIABILITY. CONTACT LINEAR TECHNOLOGY APPLICATIONS ENGINEERING FOR ASSISTANCE.

THIS CIRCUIT IS PROPRIETARY TO LINEAR TECHNOLOGY AND SUPPLIED FOR USE WITH LINEAR TECHNOLOGY PARTS.

APPROVALS

PCB DES. KEITH B.

APP ENG. KEITH B.



1630 McCarthy Blvd.
Milpitas, CA 95035
Phone: (408) 432-1900
Fax: (408) 434-0507
www.linear.com

LTC CONFIDENTIAL
FOR CUSTOMER
USE ONLY

TITLE: SCHEMATIC

SPI/DIGITAL OR I2C uMODULE ISOLATOR, LOW EMI

SIZE

IC NO.

LTM2883CY-3S/-5S/-3I/-5I

REV.

DEMO CIRCUIT 1748A

1

SCALE = NONE

DATE: Monday, August 16, 2010

SHEET 1 OF 1