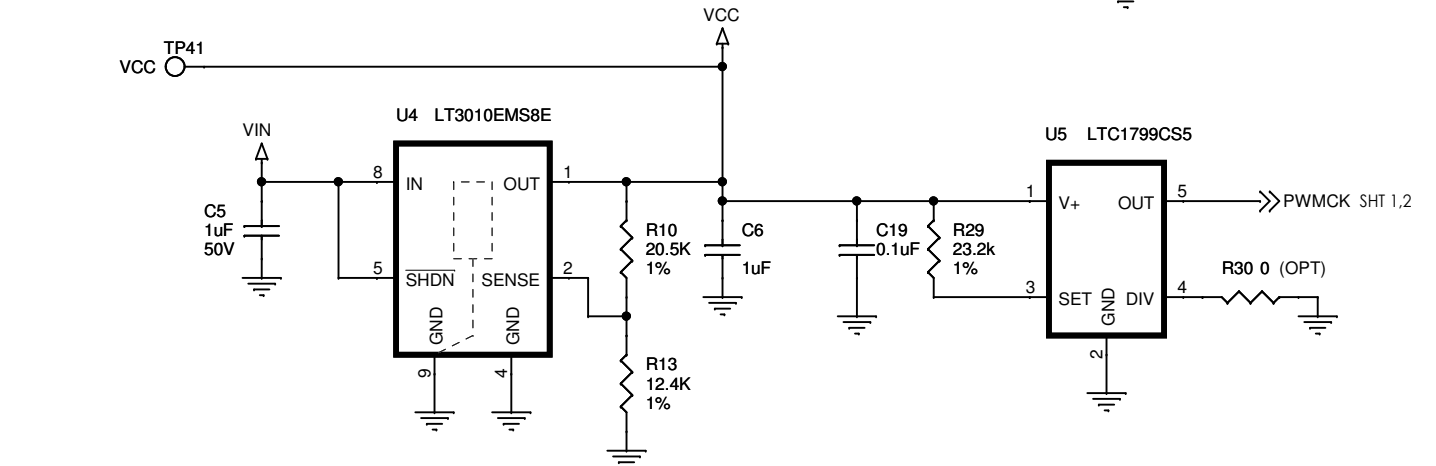
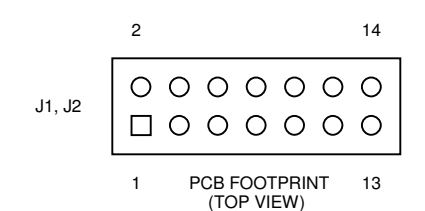
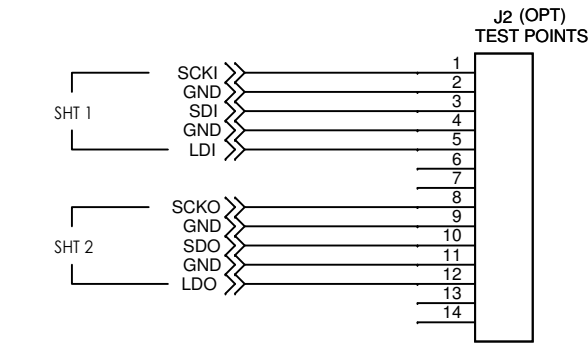
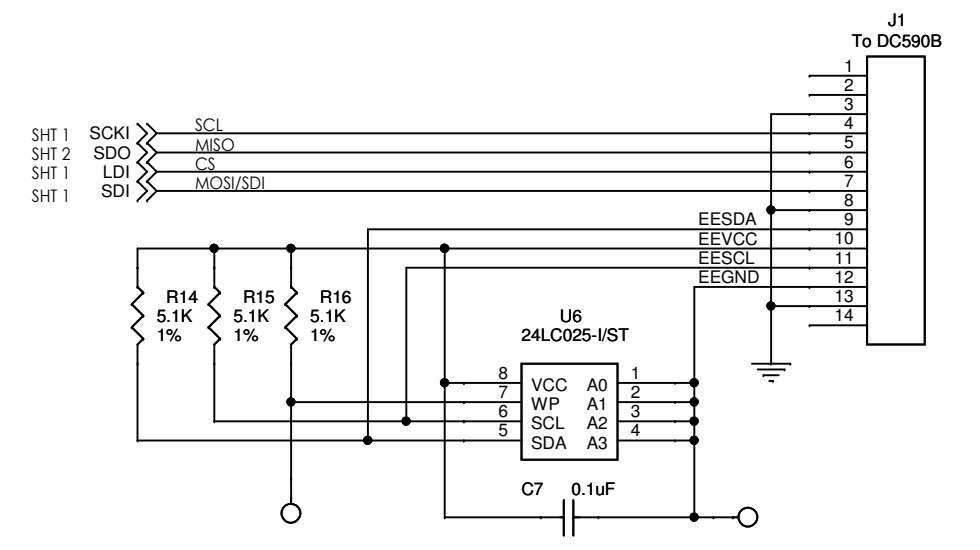
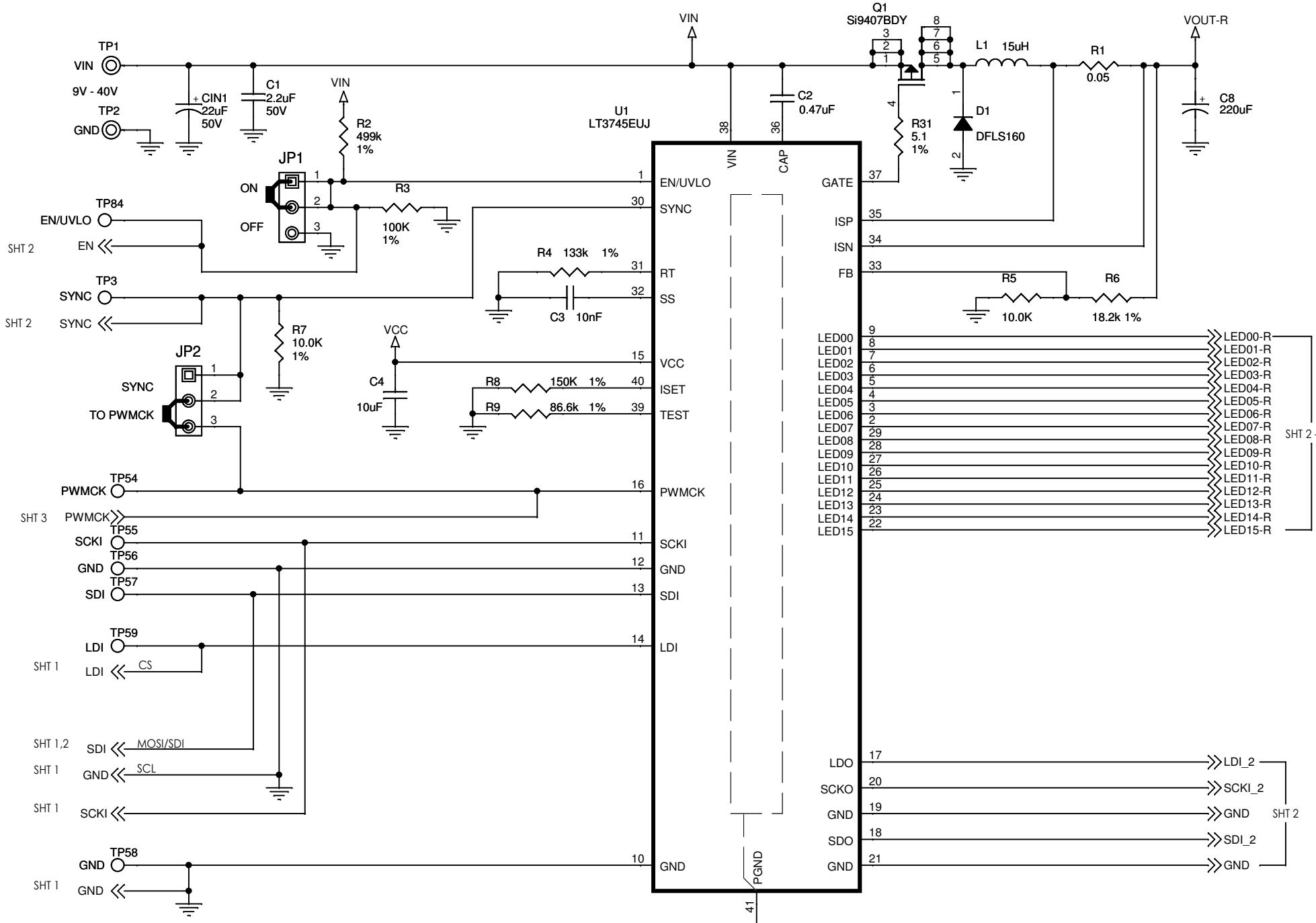


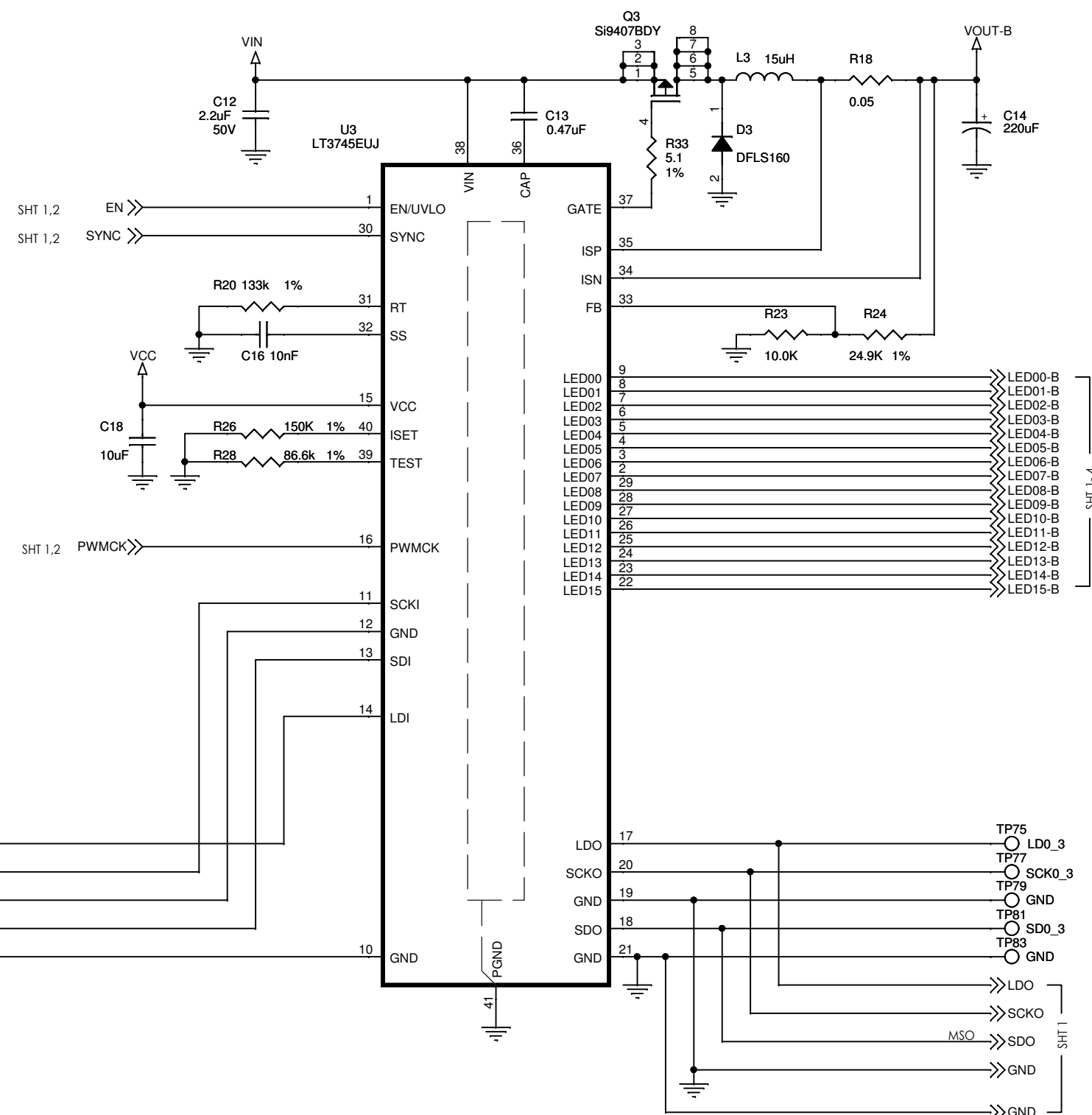
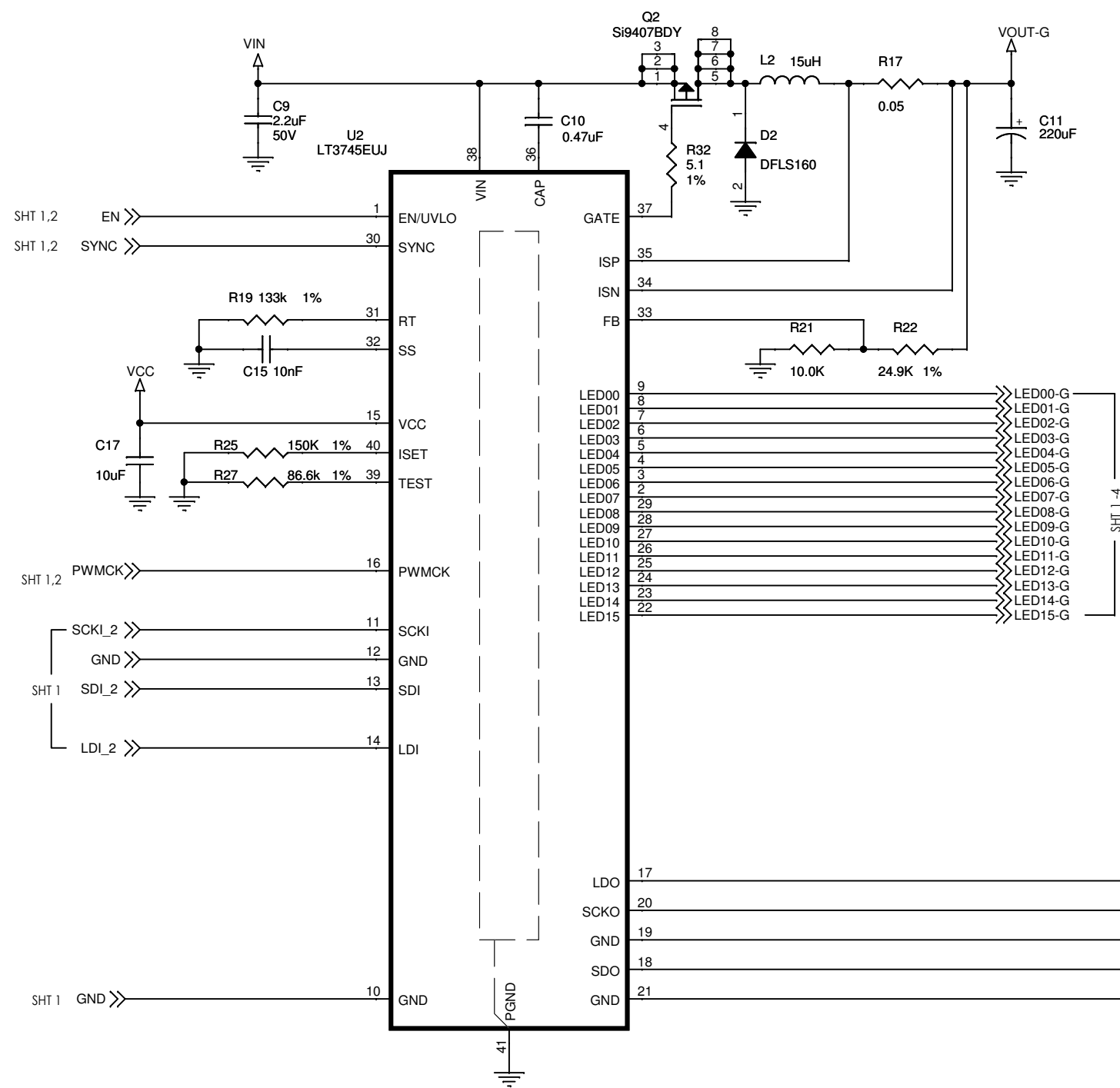
| REVISION HISTORY | | | | |
|------------------|-----|-------------|----------|----------|
| ECO | REV | DESCRIPTION | DATE | APPROVED |
| | 2 | PRODUCTION | 06/23/11 | WEI G. |




CUSTOMER NOTICE
 LINEAR TECHNOLOGY HAS MADE A BEST EFFORT TO DESIGN A CIRCUIT THAT MEETS CUSTOMER-SUPPLIED SPECIFICATIONS; HOWEVER, IT REMAINS THE CUSTOMER'S RESPONSIBILITY TO VERIFY PROPER AND RELIABLE OPERATION IN THE ACTUAL APPLICATION. COMPONENT SUBSTITUTION AND PRINTED CIRCUIT BOARD LAYOUT MAY SIGNIFICANTLY AFFECT CIRCUIT PERFORMANCE OR RELIABILITY. CONTACT LINEAR TECHNOLOGY APPLICATIONS ENGINEERING FOR ASSISTANCE.

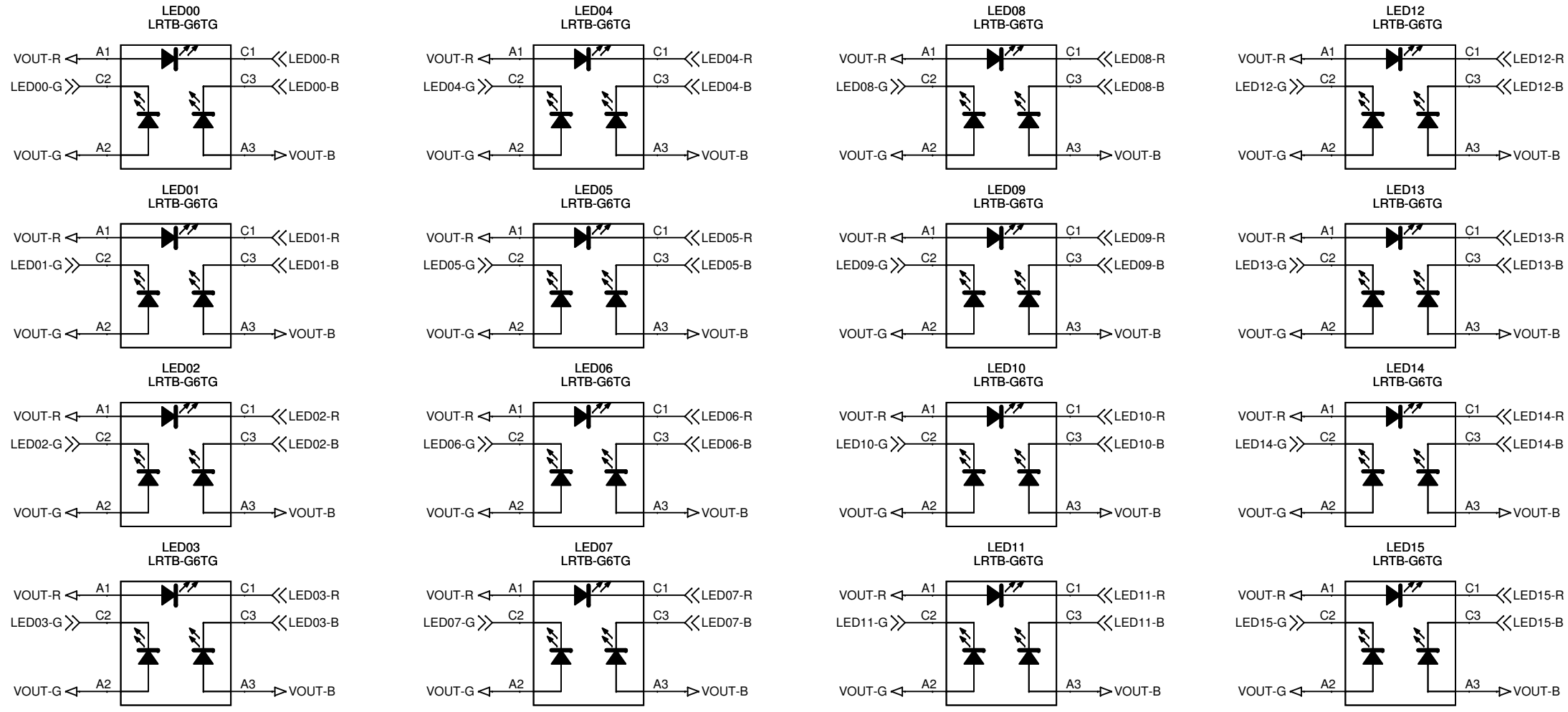
THIS CIRCUIT IS PROPRIETARY TO LINEAR TECHNOLOGY AND SUPPLIED FOR USE WITH LINEAR TECHNOLOGY PARTS.


| | | | |
|--------------|------------------------------|---|--------------|
| CONTRACT NO. | | 1630 McCarthy Blvd. Milpitas, CA 95035 Phone: (408)432-1900 Fax: (408)434-0507 LTC Confidential-For Customer Use Only | |
| APPROVALS | | TITLE: SCHEMATIC | |
| PCB DES. MI | | 16-CHANNEL LED DRIVER WITH BUCK CONTROLLER | |
| ENG. WEI G. | SIZE | IC NO. LT3745EUJ | REV 2 |
| | | DEMO CIRCUIT 1608A | |
| | DATE: Tuesday, July 05, 2011 | SHEET 1 OF 3 | |



| | | | | | |
|--|------------------------------|---|--|------------------------------|--------------|
| CUSTOMER NOTICE LINEAR TECHNOLOGY HAS MADE A BEST EFFORT TO DESIGN A CIRCUIT THAT MEETS CUSTOMER-SUPPLIED SPECIFICATIONS; HOWEVER, IT REMAINS THE CUSTOMER'S RESPONSIBILITY TO VERIFY PROPER AND RELIABLE OPERATION IN THE ACTUAL APPLICATION. COMPONENT SUBSTITUTION AND PRINTED CIRCUIT BOARD LAYOUT MAY SIGNIFICANTLY AFFECT CIRCUIT PERFORMANCE OR RELIABILITY. CONTACT LINEAR TECHNOLOGY APPLICATIONS ENGINEERING FOR ASSISTANCE. | CONTRACT NO. |  LINEAR TECHNOLOGY 1630 McCarthy Blvd. Milpitas, CA 95035 Phone: (408)432-1900 Fax: (408)434-0507 LTC Confidential-For Customer Use Only | TITLE: SCHEMATIC 16-CHANNEL LED DRIVER WITH BUCK CONTROLLER | SIZE IC NO. LT3745EUJ | REV 2 |
| | APPROVALS | | | | |
| | PCB DES. MI | | | | |
| | ENG. WEI G. | | | | |
| THIS CIRCUIT IS PROPRIETARY TO LINEAR TECHNOLOGY AND SUPPLIED FOR USE WITH LINEAR TECHNOLOGY PARTS. | DATE: Tuesday, July 05, 2011 | SHEET 2 OF 3 | | | |

All LED's CONNECTIONS TO SHEETS 1 AND 2.



| | | | |
|---|--|--|---------------------|
| <p>CUSTOMER NOTICE</p> <p>LINEAR TECHNOLOGY HAS MADE A BEST EFFORT TO DESIGN A CIRCUIT THAT MEETS CUSTOMER-SUPPLIED SPECIFICATIONS; HOWEVER, IT REMAINS THE CUSTOMER'S RESPONSIBILITY TO VERIFY PROPER AND RELIABLE OPERATION IN THE ACTUAL APPLICATION. COMPONENT SUBSTITUTION AND PRINTED CIRCUIT BOARD LAYOUT MAY SIGNIFICANTLY AFFECT CIRCUIT PERFORMANCE OR RELIABILITY. CONTACT LINEAR TECHNOLOGY APPLICATIONS ENGINEERING FOR ASSISTANCE.</p> | CONTRACT NO. |  <p>1630 McCarthy Blvd. Milpitas, CA 95035 Phone: (408)432-1900 Fax: (408)434-0507 LTC Confidential-For Customer Use Only</p> | |
| | APPROVALS | | |
| | PCB DES. MI | | |
| | ENG. WEI G. | | |
| <p>THIS CIRCUIT IS PROPRIETARY TO LINEAR TECHNOLOGY AND SUPPLIED FOR USE WITH LINEAR TECHNOLOGY PARTS.</p> | <p>TITLE: SCHEMATIC</p> <p>16-CHANNEL LED DRIVER WITH BUCK CONTROLLER</p> | | |
| | SIZE | <p>IC NO. LT3745EUJ</p> <p>DEMO CIRCUIT 1608A</p> | <p>REV 2</p> |
| | DATE: Tuesday, July 05, 2011 | | SHEET 3 OF 3 |