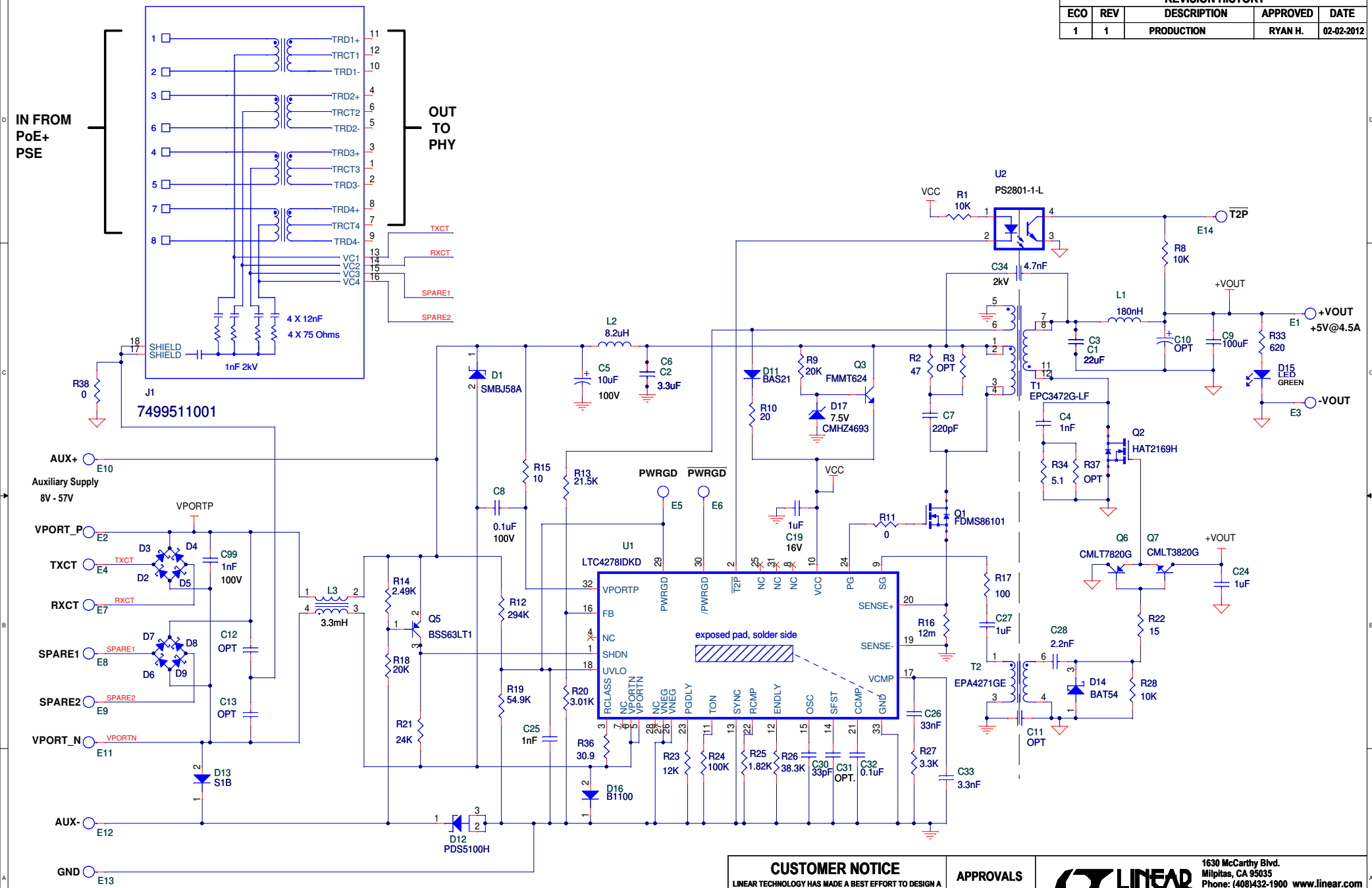


REVISION HISTORY				
ECO	REV	DESCRIPTION	APPROVED	DATE
1	1	PRODUCTION	RYAN H.	02-02-2012

IN FROM
PoE+
PSE

OUT
TO
PHY



CUSTOMER NOTICE

LINEAR TECHNOLOGY HAS MADE A BEST EFFORT TO DESIGN A CIRCUIT THAT MEETS CUSTOMER-SUPPLIED SPECIFICATIONS; HOWEVER, IT REMAINS THE CUSTOMER'S RESPONSIBILITY TO VERIFY PROPER AND RELIABLE OPERATION IN THE ACTUAL APPLICATION. COMPONENT SUBSTITUTION AND PRINTED CIRCUIT BOARD LAYOUT MAY SIGNIFICANTLY AFFECT CIRCUIT PERFORMANCE OR RELIABILITY. CONTACT LINEAR TECHNOLOGY APPLICATIONS ENGINEERING FOR ASSISTANCE.

THIS CIRCUIT IS PROPRIETARY TO LINEAR TECHNOLOGY AND SUPPLIED FOR USE WITH LINEAR TECHNOLOGY PARTS.

APPROVALS

PCB DES.	AK
APP ENG.	RYAN H.
SCALE	NONE



1630 McCarthy Blvd.
Milpitas, CA 95035
Phone: (408)432-1900 www.linear.com
Fax: (408)434-0507
LTC Confidential-For Customer Use Only

TITLE: SCHEMATIC		
HIGH EFFICIENCY PoE+PD AND SWITCHER WITH 12V AUX SUPPORT		
SIZE	IC NO.	REV.
N/A	LTC4278IDKD	1
DATE: Wednesday, February 01, 2012		SHEET 1 OF 1