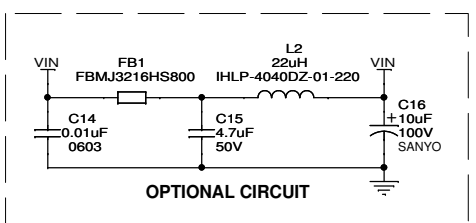
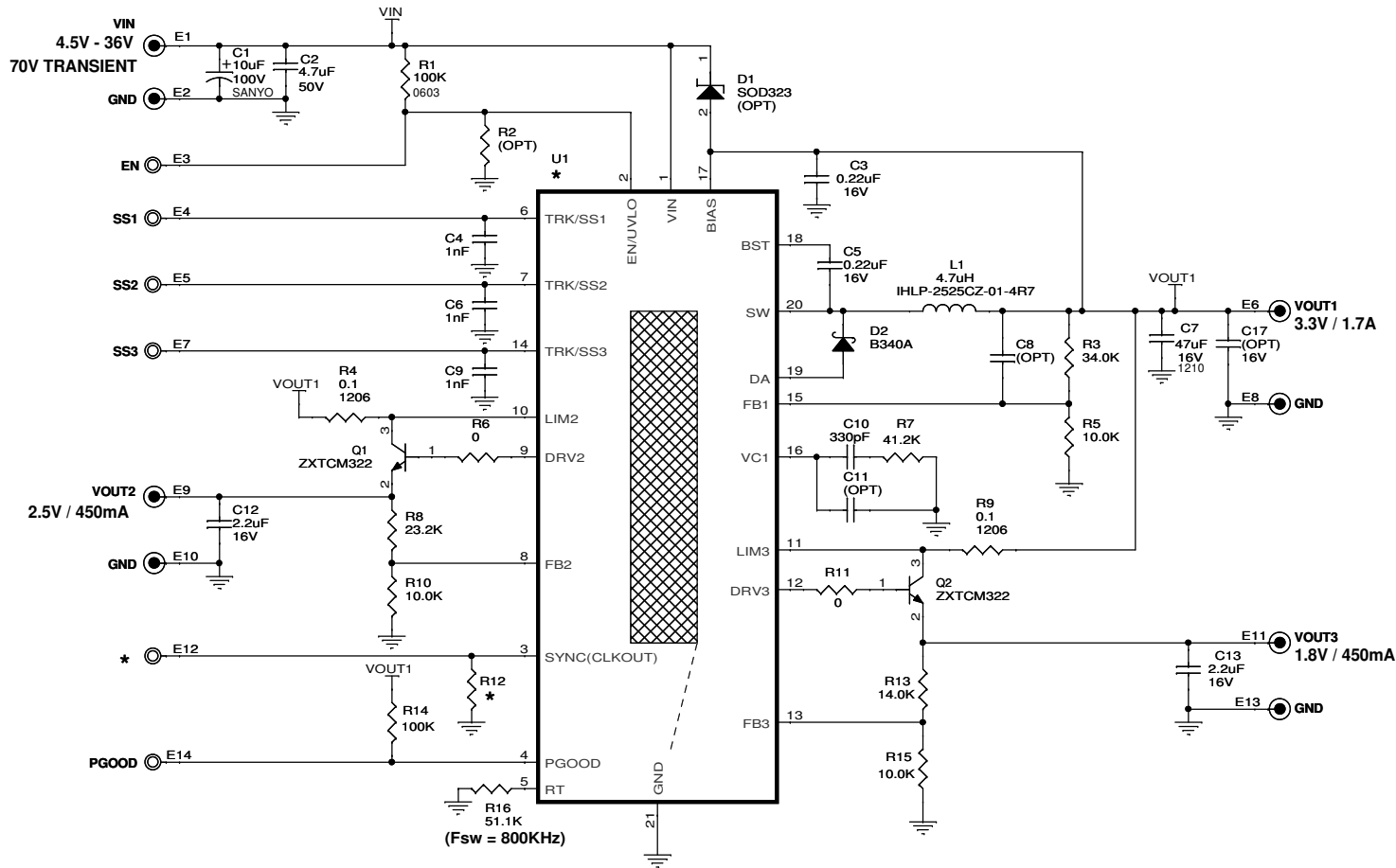


REVISION HISTORY				
ECO	REV	DESCRIPTION	APPROVED	DATE
	2	PRODUCTION	EDWIN L.	8-18-10



ASSY	U1	R12	E12
-A	LT3694EFE	10K	SYNC
-B	LT3694EFE-1	OPEN	GLOCKOUT

NOTE: UNLESS OTHERWISE SPECIFIED

1. ALL CAP AND RES ARE IN 0402.

<p>CUSTOMER NOTICE</p> <p>LINEAR TECHNOLOGY HAS MADE A BEST EFFORT TO DESIGN A CIRCUIT THAT MEETS CUSTOMER-SUPPLIED SPECIFICATIONS; HOWEVER, IT REMAINS THE CUSTOMER'S RESPONSIBILITY TO VERIFY PROPER AND RELIABLE OPERATION IN THE ACTUAL APPLICATION. COMPONENT SUBSTITUTION AND PRINTED CIRCUIT BOARD LAYOUT MAY SIGNIFICANTLY AFFECT CIRCUIT PERFORMANCE OR RELIABILITY. CONTACT LINEAR TECHNOLOGY APPLICATIONS ENGINEERING FOR ASSISTANCE.</p>	CONTRACT NO.	1630 McCarthy Blvd. Milpitas, CA 95035 Phone: (408)432-1900/www.linear.com Fax: (408)434-0507 LTC Confidential-For Customer Use Only	
	APPROVALS		
	PCB DES. HZ	TITLE: SCHEMATIC	
	ENG. EDWIN L.	MONOLITHIC STEP-DOWN REGULATOR WITH DUAL LDO	
THIS CIRCUIT IS PROPRIETARY TO LINEAR TECHNOLOGY AND SUPPLIED FOR USE WITH LINEAR TECHNOLOGY PARTS.	SIZE N/A	IC NO. LT3694 FAMILY	REV 2
	DATE: Thursday, November 11, 2010	SHEET 1 OF 1	