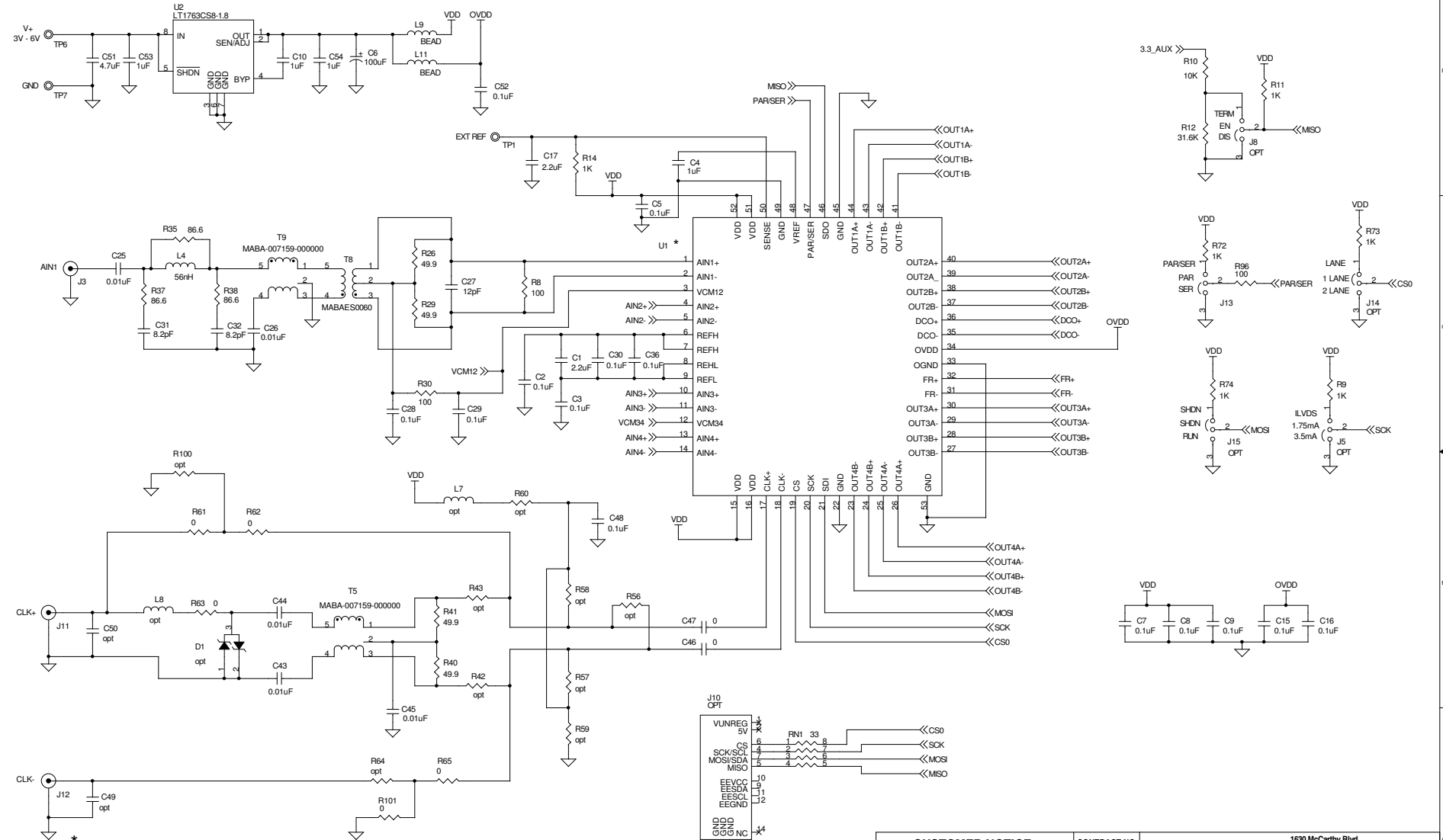


REVISION HISTORY				
ECO	REV	DESCRIPTION	APPROVED	DATE
	3	PRODUCTION	CLARENCE M.	10-29-09



ASSY	U1	Bits	Mbps	ASSY	U1	Bits	Mbps
DC1525A-A	LTC2175IUJG-14	14	125	DC1525A-G	LTC2175IUJG-12	12	125
DC1525A-B	LTC2174IUJG-14	14	105	DC1525A-H	LTC2174IUJG-12	12	105
DC1525A-C	LTC2173IUJG-14	14	80	DC1525A-I	LTC2173IUJG-12	12	80
DC1525A-D	LTC2172IUJG-14	14	65	DC1525A-J	LTC2172IUJG-12	12	65
DC1525A-E	LTC2171IUJG-14	14	40	DC1525A-K	LTC2171IUJG-12	12	40
DC1525A-F	LTC2170IUJG-14	14	25	DC1525A-L	LTC2170IUJG-12	12	25

CUSTOMER NOTICE
 LINEAR TECHNOLOGY HAS MADE A BEST EFFORT TO DESIGN A CIRCUIT THAT MEETS CUSTOMER-SUPPLIED SPECIFICATIONS. HOWEVER, IT REMAINS THE CUSTOMER'S RESPONSIBILITY TO VERIFY PROPER AND RELIABLE OPERATION IN THE ACTUAL APPLICATION. COMPONENT SUBSTITUTION AND PRINTED CIRCUIT BOARD LAYOUT MAY SIGNIFICANTLY AFFECT CIRCUIT PERFORMANCE OR RELIABILITY. CONTACT LINEAR TECHNOLOGY APPLICATIONS ENGINEERING FOR ASSISTANCE.
 THIS CIRCUIT IS PROPRIETARY TO LINEAR TECHNOLOGY AND SUPPLIED FOR USE WITH LINEAR TECHNOLOGY PARTS.

CONTRACT NO.		 1630 McCarthy Blvd. Milpitas, CA 95035 Phone: (408)432-1300 Fax: (408)434-0507 LTC Confidential-For Customer Use Only	
APPROVALS			
PCB DES. AK.		TITLE: SCHEMATIC	
ENG. CLARENCE M.		QUAD ADC FAMILY LTC217XIUJG FAMILY DEMO CIRCUIT 1525A	
SIZE	IC NO.	REV	
A		3	
DATE: Friday, November 20, 2009		SHEET 1 OF 2	

