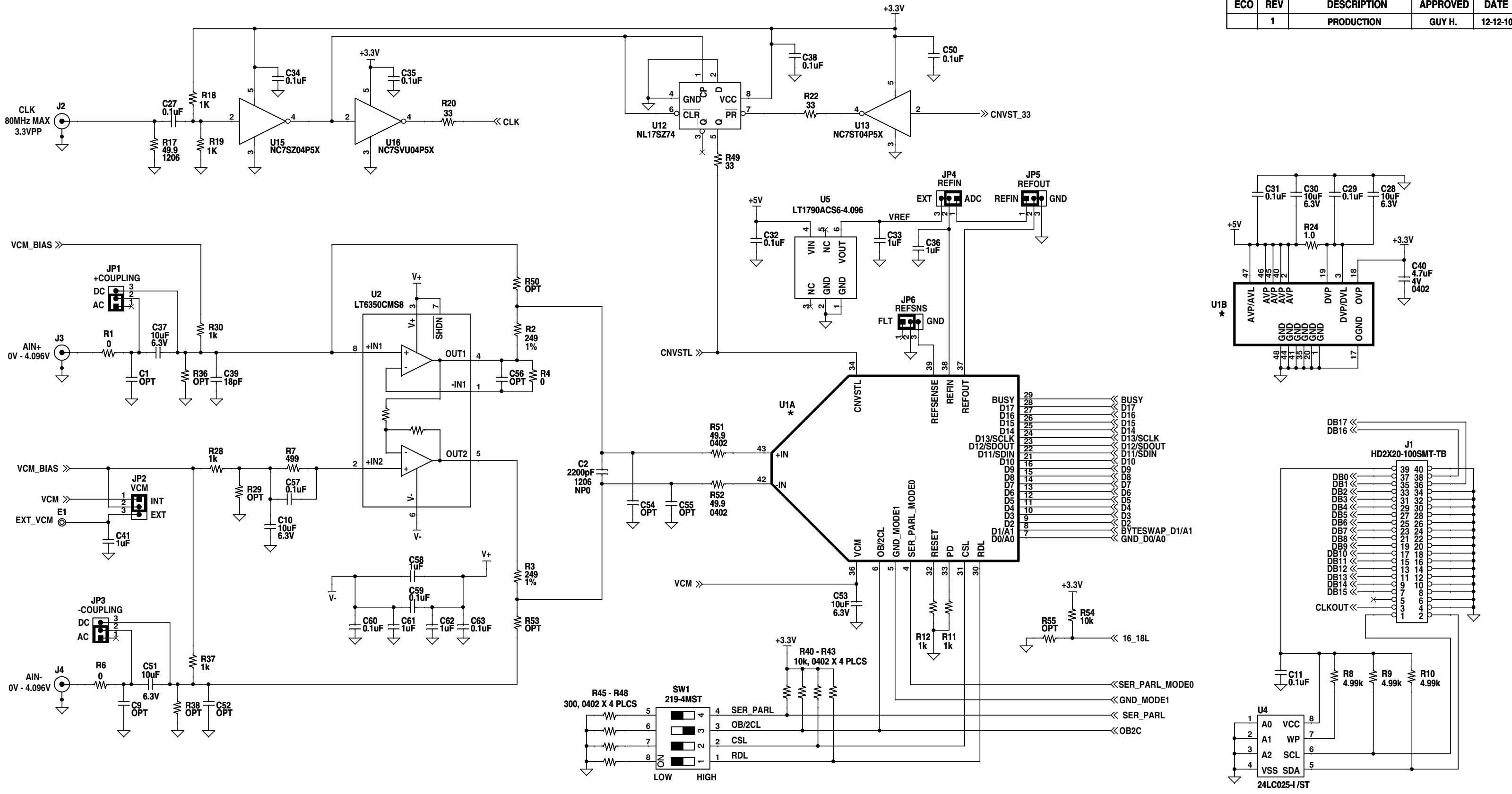


REVISION HISTORY				
ECO	REV	DESCRIPTION	APPROVED	DATE
	1	PRODUCTION	GUY H.	12-12-10



**NOTES: UNLESS OTHERWISE SPECIFIED**

1. ALL RESISTORS ARE IN OHMS, 0603.
- ALL CAPACITORS ARE IN MICROFARADS, 0603

* ASSY	U1	BITS	Mbps	FULLY DIFFERENTIAL	J2 SHUNT
A	LTC2393CLX-16	16	1	YES	-AIN
B	LTC2392CLX-16	16	0.5	YES	-AIN
C	LTC2391CLX-16	16	0.25	YES	-AIN

**CUSTOMER NOTICE**  
 LINEAR TECHNOLOGY HAS MADE A BEST EFFORT TO DESIGN A CIRCUIT THAT MEETS CUSTOMER-SUPPLIED SPECIFICATIONS; HOWEVER, IT REMAINS THE CUSTOMER'S RESPONSIBILITY TO VERIFY PROPER AND RELIABLE OPERATION IN THE ACTUAL APPLICATION. COMPONENT SUBSTITUTION AND PRINTED CIRCUIT BOARD LAYOUT MAY SIGNIFICANTLY AFFECT CIRCUIT PERFORMANCE OR RELIABILITY. CONTACT LINEAR TECHNOLOGY APPLICATIONS ENGINEERING FOR ASSISTANCE.

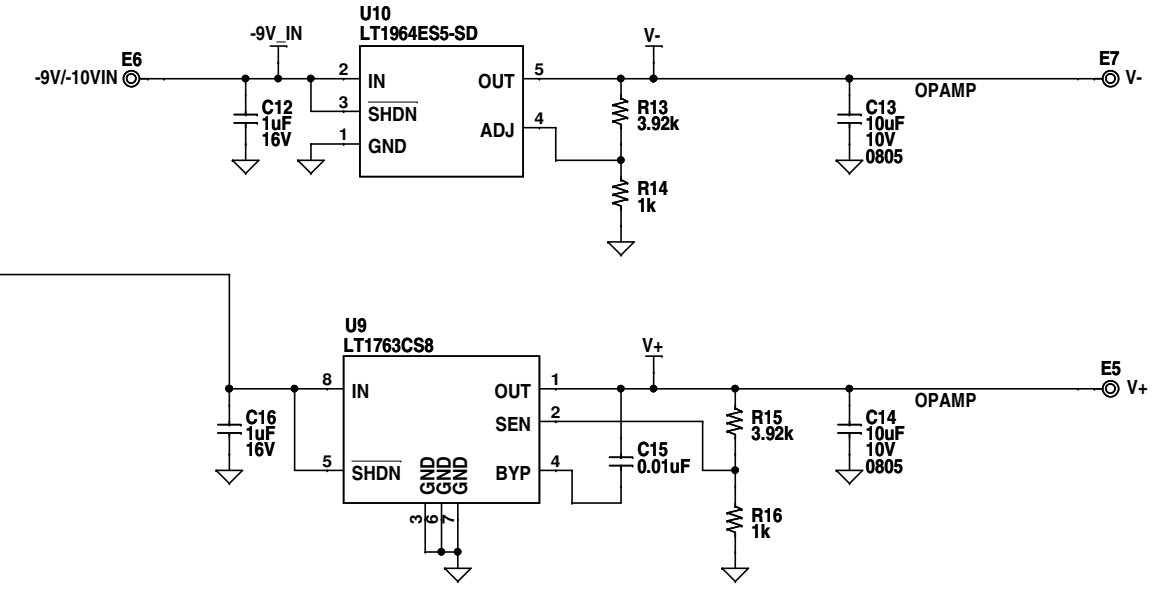
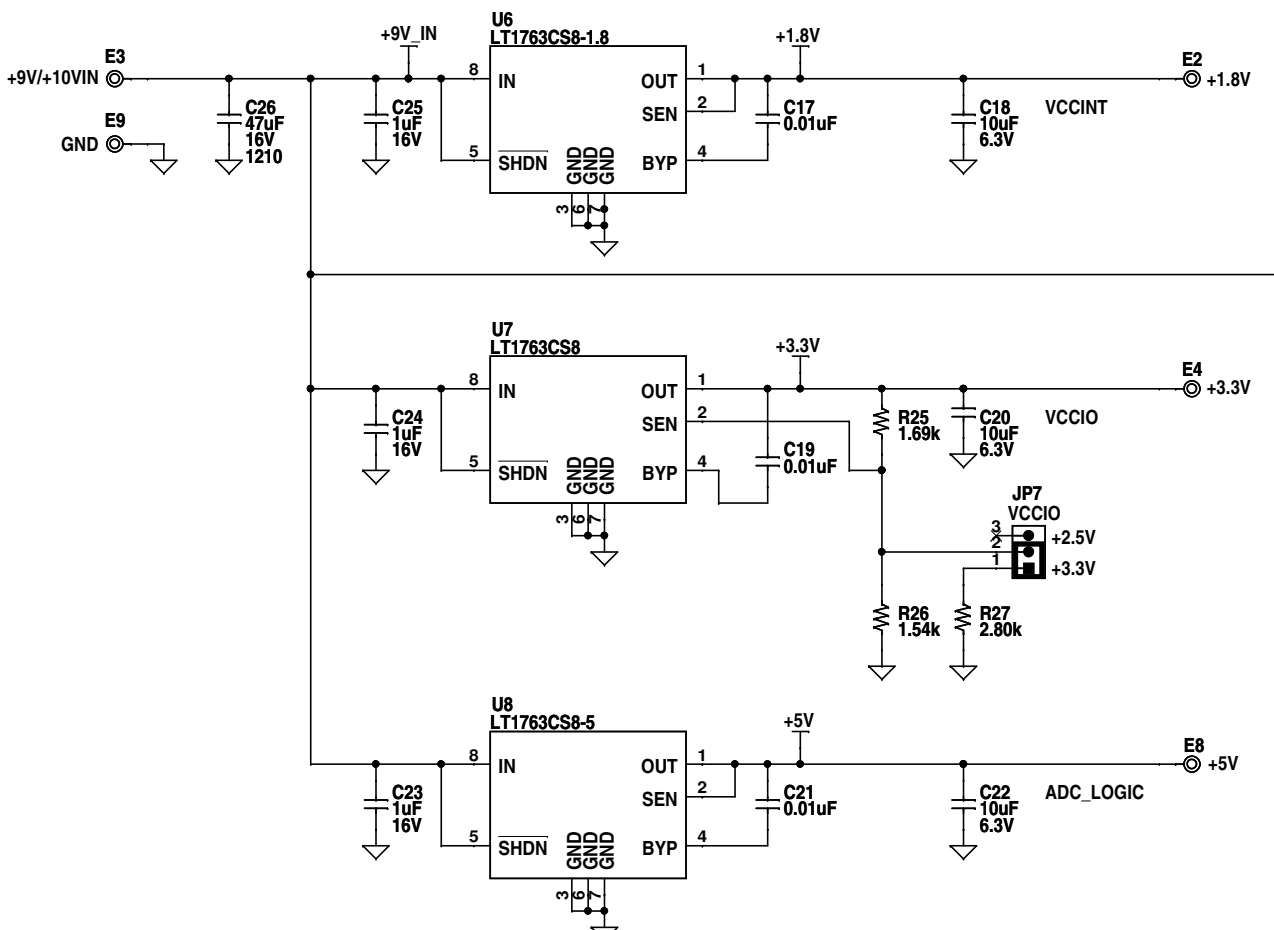
**APPROVALS**  
 PCB DES. KT  
 APP ENG. GUY H.

**LINEAR TECHNOLOGY**  
 1630 McCarthy Blvd.  
 Milpitas, CA 95035  
 Phone: (408)432-1900 www.linear.com  
 Fax: (408)434-0507  
 LTC Confidential-For Customer Use Only

TITLE: SCHEMATIC  
**LOW NOISE HIGH SPEED SAR ADC FAMILY**  
 SIZE B IC NO. **LTC23XXCLX FAMILY** REV. 1  
**DEMO CIRCUIT 1500A**  
 DATE: Tuesday, January 12, 2010 SHEET 1 OF 2

THIS CIRCUIT IS PROPRIETARY TO LINEAR TECHNOLOGY AND SUPPLIED FOR USE WITH LINEAR TECHNOLOGY PARTS.

SCALE = NONE



**U14A EPM240T**

IO1	1	DB11
IO2	2	DB12
IO3	3	DB13
IO4	4	DB14
IO5	5	DB15
IO6	6	CLKOUT
IO7	7	
IO8	8	
IO15	15	CNVST_33
IO16	16	
IO17	17	
IO18	18	OB2C
IO19	19	GND_MODE1
IO20	20	SER_PARL_MODE0
IO21	21	

**U14B EPM240T**

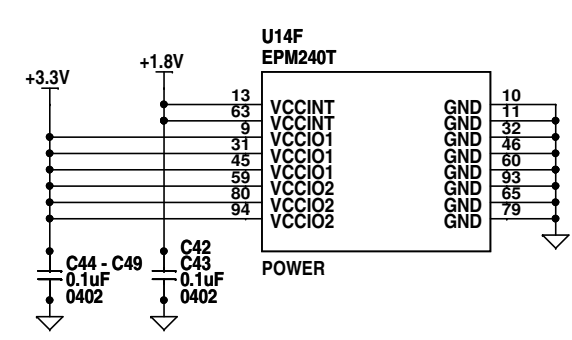
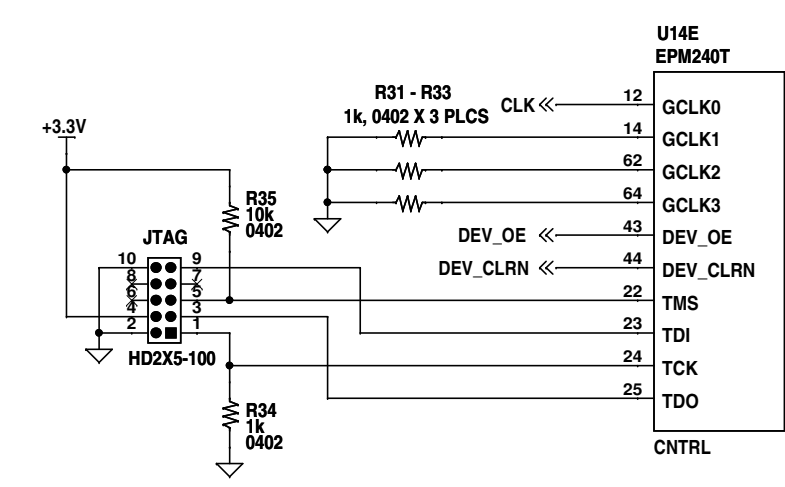
IO26	26	BUSY
IO27	27	D17
IO28	28	D16
IO29	29	D15
IO30	30	D14
IO33	33	D13/SCLK
IO34	34	D12/SDOUT
IO35	35	D11/SDIN
IO36	36	D10
IO37	37	D9
IO38	38	D8
IO39	39	D7
IO40	40	D6
IO41	41	D5
IO42	42	D4
IO47	47	D3
IO48	48	D2
IO49	49	BYTESWAP_D1/A1
IO50	50	GND_D0/A0

**U14C EPM240T**

IO51	51	SER_PARL
IO52	52	16_18L
IO53	53	
IO54	54	
IO55	55	
IO56	56	
IO57	57	
IO58	58	
IO61	61	
IO66	66	
IO67	67	
IO68	68	
IO69	69	
IO70	70	
IO71	71	DB16
IO72	72	DB17
IO73	73	DB0
IO74	74	DB1
IO75	75	DB2

**U14D EPM240T**

IO76	76	DB3
IO77	77	DB4
IO78	78	DB5
IO81	81	
IO82	82	
IO83	83	
IO84	84	DB6
IO85	85	
IO86	86	
IO87	87	
IO88	88	
IO89	89	DB7
IO90	90	
IO91	91	
IO92	92	DB8
IO95	95	
IO96	96	DB9
IO97	97	
IO98	98	
IO99	99	
IO100	100	DB10



**CUSTOMER NOTICE**  
 LINEAR TECHNOLOGY HAS MADE A BEST EFFORT TO DESIGN A CIRCUIT THAT MEETS CUSTOMER-SUPPLIED SPECIFICATIONS; HOWEVER, IT REMAINS THE CUSTOMER'S RESPONSIBILITY TO VERIFY PROPER AND RELIABLE OPERATION IN THE ACTUAL APPLICATION. COMPONENT SUBSTITUTION AND PRINTED CIRCUIT BOARD LAYOUT MAY SIGNIFICANTLY AFFECT CIRCUIT PERFORMANCE OR RELIABILITY. CONTACT LINEAR TECHNOLOGY APPLICATIONS ENGINEERING FOR ASSISTANCE.

THIS CIRCUIT IS PROPRIETARY TO LINEAR TECHNOLOGY AND SUPPLIED FOR USE WITH LINEAR TECHNOLOGY PARTS.

**APPROVALS**

PCB DES.	KT
APP ENG.	GUY H.
SCALE	NONE

1630 McCarthy Blvd.  
 Milpitas, CA 95035  
 Phone: (408)432-1900 www.linear.com  
 Fax: (408)434-0507  
 LTC Confidential-For Customer Use Only

**TITLE: SCHEMATIC**

**LOW NOISE HIGH SPEED SAR ADC FAMILY**

SIZE B	IC NO. LTC23XXCLX FAMILY	REV. 1
DATE: Tuesday, January 12, 2010	DEMO CIRCUIT 1500A	SHEET 2 OF 2