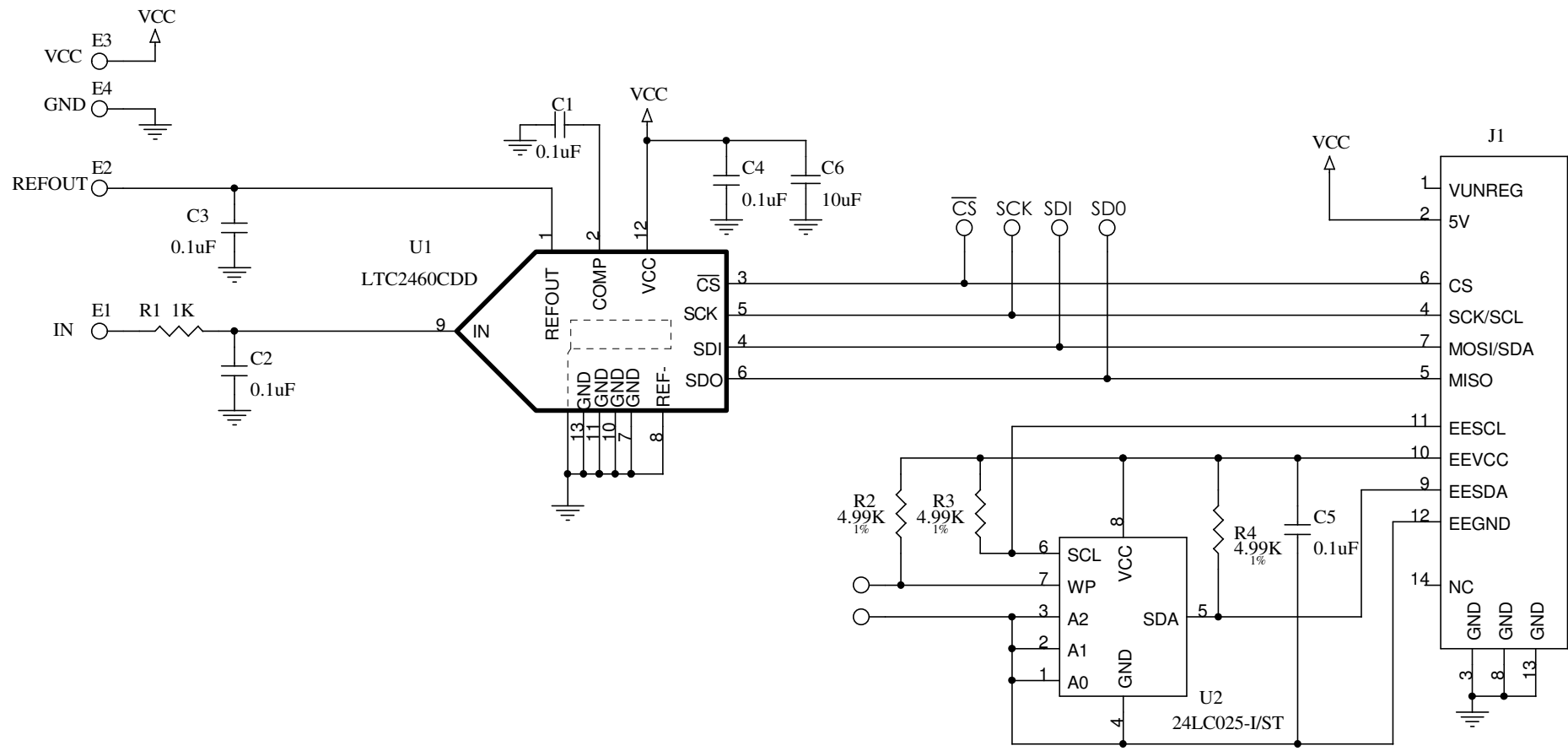


This circuit is proprietary to Linear Technology and supplied for use with Linear Technology parts.
Customer Notice: Linear Technology has made a best effort to design a circuit that meets customer-supplied specifications; however, it remains the customer's responsibility to verify proper and reliable operation in the actual application. Component substitution and printed circuit board layout may significantly affect circuit performance or reliability. Contact Linear Applications Engineering for assistance.

REVISION HISTORY				
ECO	REV	DESCRIPTION	DATE	APPROVED
	1	PROTO	10/09/08	



CONTRACT NO.	
APPROVALS	DATE
DRAWN mi	10/09/08
CHECKED	
APPROVED	
ENGINEER L.Chen	
DESIGNER	
Wednesday, October 29, 2008	



1630 McCarthy Blvd.
 Milpitas, CA 95035
 Phone: (408)432-1900
 Fax: (408)434-0507

TITLE			
SCH, LTC2460CDD, 16-BIT DELTA SIGMA SPI ADC			
SIZE	CAGE CODE	DWG NO	REV
		DC1490A	1
SCALE:	FILENAME: 1490A-1.DSN	SHEET 1	OF 1