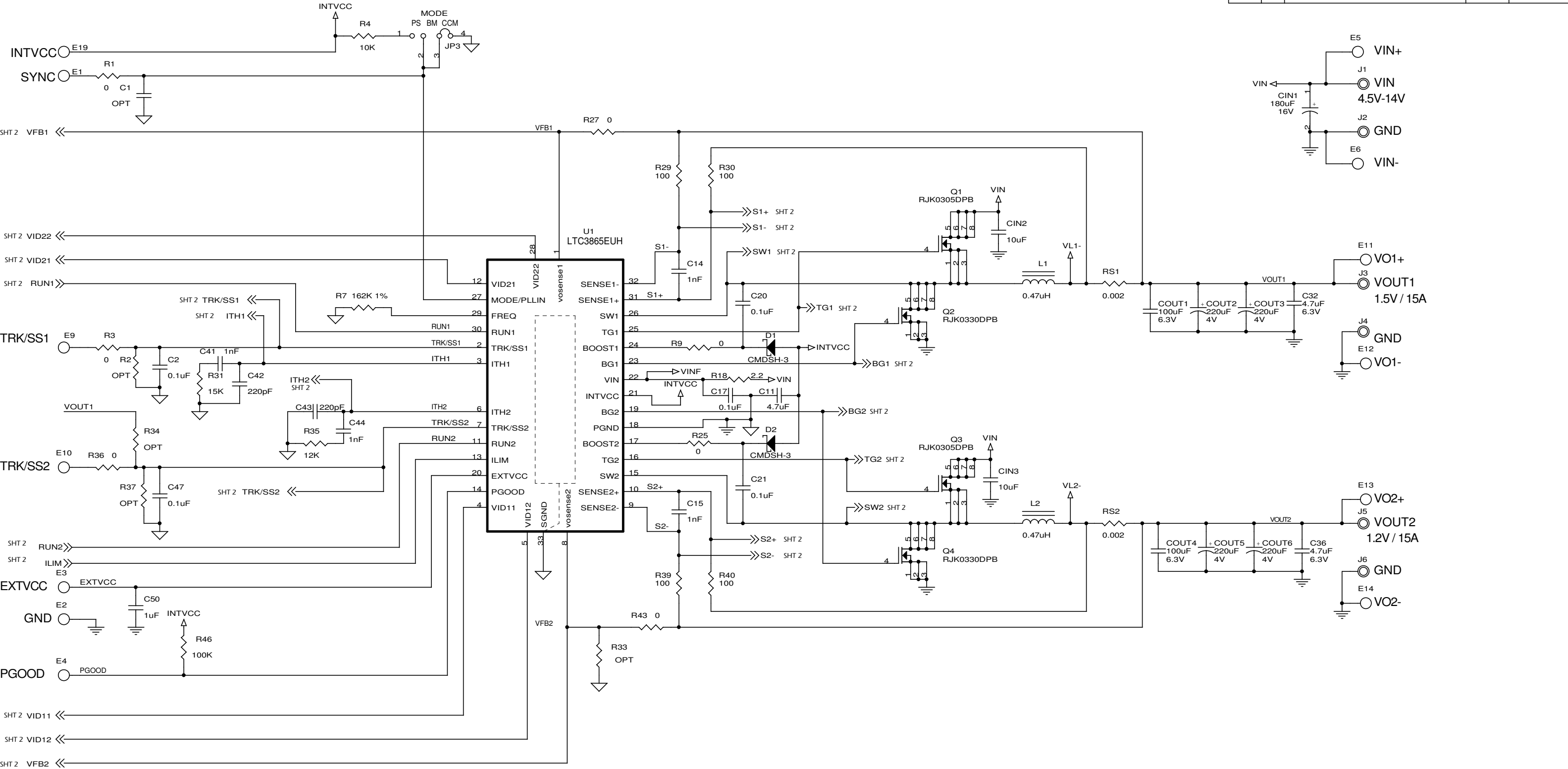


REVISION HISTORY				
ECO	REV	DESCRIPTION	DATE	APPROVED
	2	PROD	08/03/09	CZ

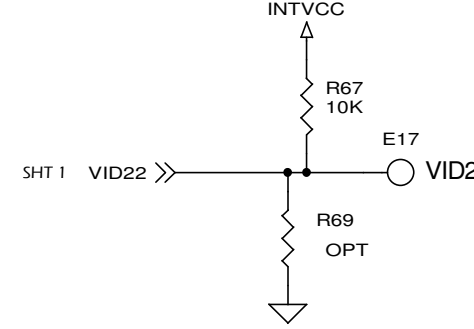
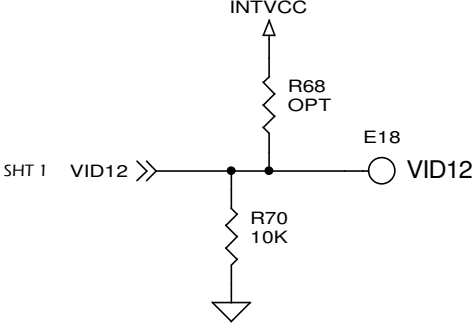
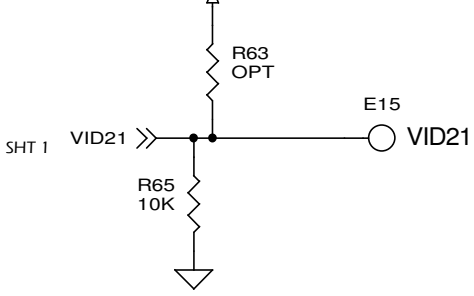
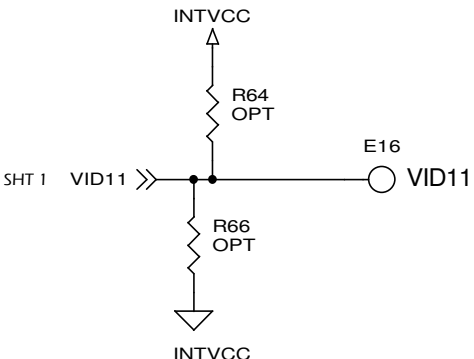
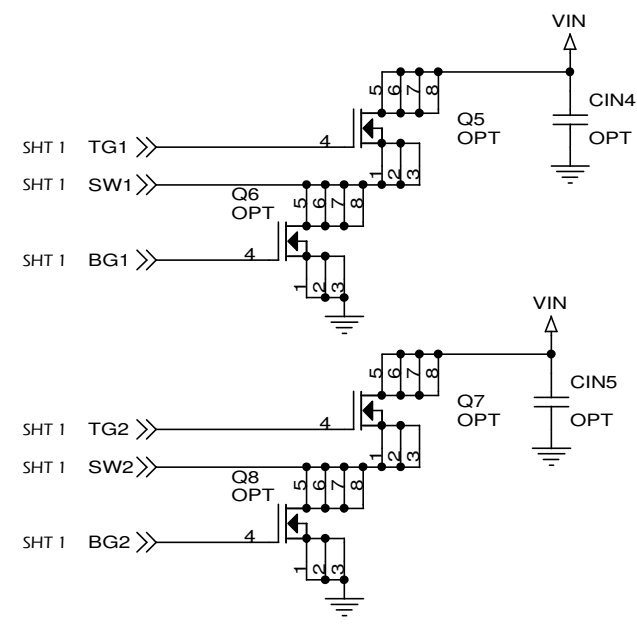


NOTES: UNLESS OTHERWISE SPECIFIED,

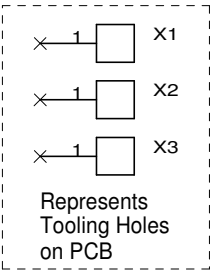
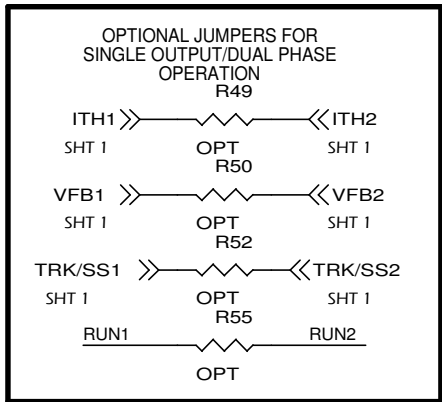
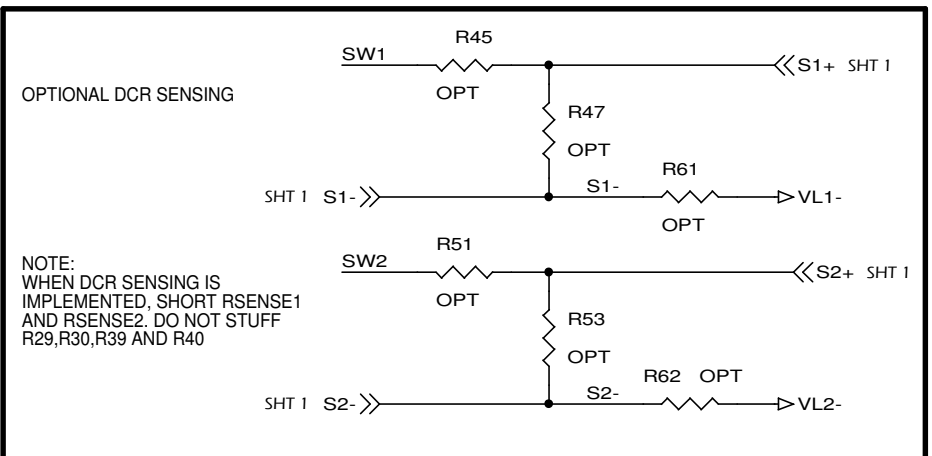
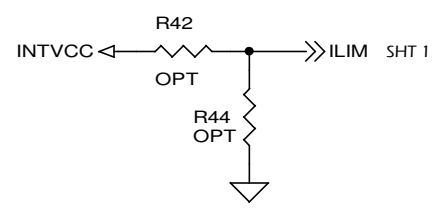
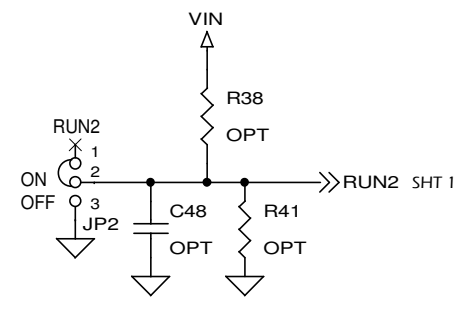
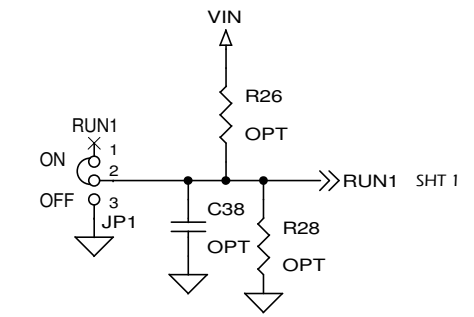
- DO NOT APPLY LOAD FROM THE VO1+ TO VO1- OR FROM THE VO2+ TO VO2- TURRETS. THESE ARE ONLY INTENDED TO KELVIN SENSE THE OUTPUT VOLTAGE ACROSS COUT1 AND COUT4.

CUSTOMER NOTICE
 LINEAR TECHNOLOGY HAS MADE A BEST EFFORT TO DESIGN A CIRCUIT THAT MEETS CUSTOMER-SUPPLIED SPECIFICATIONS; HOWEVER, IT REMAINS THE CUSTOMER'S RESPONSIBILITY TO VERIFY PROPER AND RELIABLE OPERATION IN THE ACTUAL APPLICATION. COMPONENT SUBSTITUTION AND PRINTED CIRCUIT BOARD LAYOUT MAY SIGNIFICANTLY AFFECT CIRCUIT PERFORMANCE OR RELIABILITY. CONTACT LINEAR TECHNOLOGY APPLICATIONS ENGINEERING FOR ASSISTANCE.
 THIS CIRCUIT IS PROPRIETARY TO LINEAR TECHNOLOGY AND SUPPLIED FOR USE WITH LINEAR TECHNOLOGY PARTS.

CONTRACT NO.		1630 McCarthy Blvd. Milpitas, CA 95035 Phone: (408)432-1900 Fax: (408)434-0507 LTC Confidential-For Customer Use Only	
APPROVALS		TITLE: SCHEMATIC DUAL 15A SYNCHRONOUS BUCK CONVERTER WITH VIDS	
PCB DES. MI		SIZE	IC NO.
ENG. CZ		LTC3865EUH	2
		DEMO CIRCUIT 1479A	
	DATE: Thursday, December 03, 2009		SHEET 1 OF 2



VID11/VID21	VID12/VID22	VOUT1/VOUT2 (V)
INTVCC	INTVCC	5.0 (Vin > 5V)
INTVCC	FLOAT	3.3
INTVCC	GND	2.5
FLOAT	INTVCC	1.8
FLOAT	FLOAT	0.6 or external divider
FLOAT	GND	1.5
GND	INTVCC	1.2
GND	FLOAT	1.0
GND	GND	1.1



CUSTOMER NOTICE LINEAR TECHNOLOGY HAS MADE A BEST EFFORT TO DESIGN A CIRCUIT THAT MEETS CUSTOMER-SUPPLIED SPECIFICATIONS; HOWEVER, IT REMAINS THE CUSTOMER'S RESPONSIBILITY TO VERIFY PROPER AND RELIABLE OPERATION IN THE ACTUAL APPLICATION. COMPONENT SUBSTITUTION AND PRINTED CIRCUIT BOARD LAYOUT MAY SIGNIFICANTLY AFFECT CIRCUIT PERFORMANCE OR RELIABILITY. CONTACT LINEAR TECHNOLOGY APPLICATIONS ENGINEERING FOR ASSISTANCE.		CONTRACT NO.			1630 McCarthy Blvd. Milpitas, CA 95035 Phone: (408)432-1900 Fax: (408)434-0507 LTC Confidential-For Customer Use Only		
		APPROVALS					
THIS CIRCUIT IS PROPRIETARY TO LINEAR TECHNOLOGY AND SUPPLIED FOR USE WITH LINEAR TECHNOLOGY PARTS.		PCB DES. MI	TITLE: SCHEMATIC DUAL 15A SYNCHRONOUS BUCK CONVERTER WITH VIDS		SIZE	IC NO. LTC3865EUH DEMO CIRCUIT 1479A	REV
		ENG. CZ			B		DATE: Thursday, December 03, 2009
					SHEET 2 OF 2		