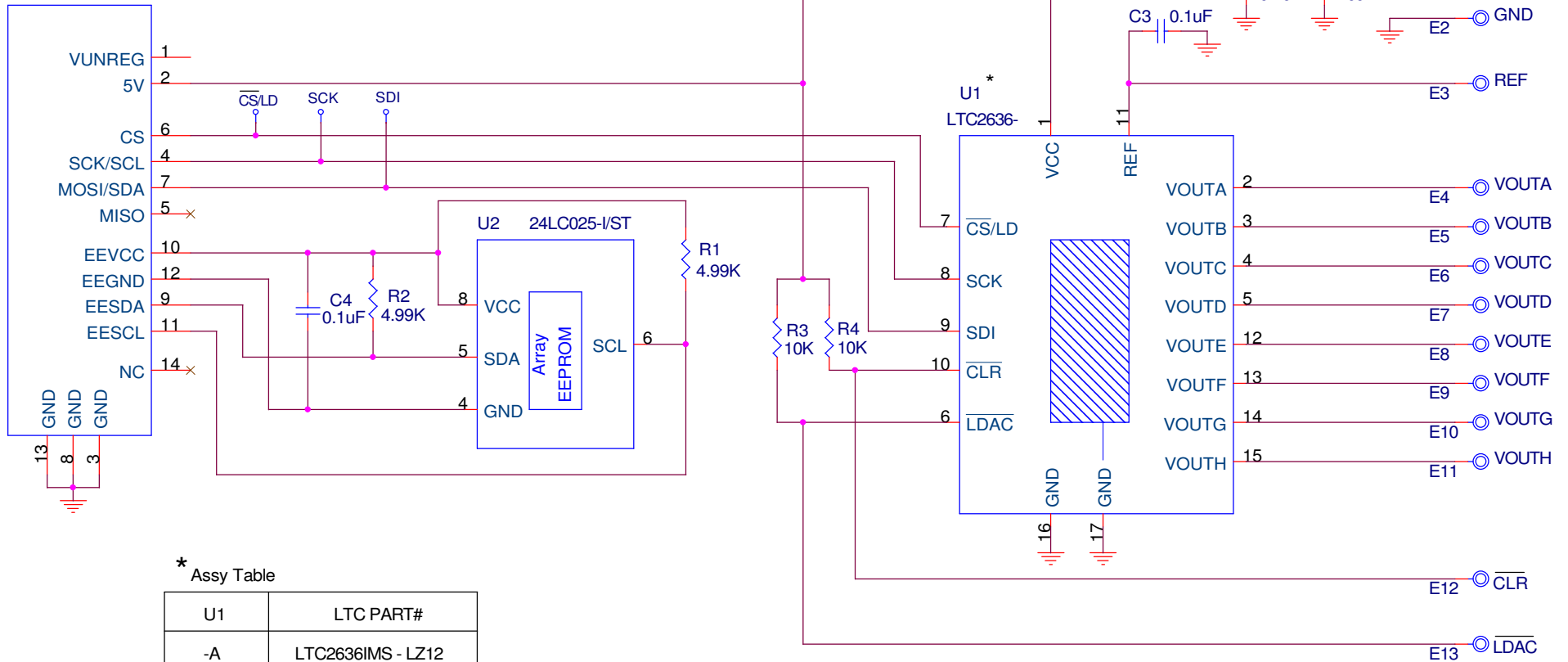


J1
HDR2X7-079-MOLEX



* Assy Table

U1	LTC PART#
-A	LTC2636IMS - LZ12
-B	LTC2636HMS - LMI12
-C	LTC2636CMS - HZ12
-D	LTC2636HMS - HMI12

CUSTOMER NOTICE

LINEAR TECHNOLOGY HAS MADE A BEST EFFORT TO DESIGN A CIRCUIT THAT MEETS CUSTOMER-SUPPLIED SPECIFICATIONS; HOWEVER, IT REMAINS THE CUSTOMER'S RESPONSIBILITY TO VERIFY PROPER AND RELIABLE OPERATION IN THE ACTUAL APPLICATION. COMPONENT SUBSTITUTION AND PRINTED CIRCUIT BOARD LAYOUT MAY SIGNIFICANTLY AFFECT CIRCUIT PERFORMANCE OR RELIABILITY. CONTACT LINEAR TECHNOLOGY APPLICATIONS ENGINEERING FOR ASSISTANCE.

THIS CIRCUIT IS PROPRIETARY TO LINEAR TECHNOLOGY AND SUPPLIED FOR USE WITH LINEAR TECHNOLOGY PARTS.

CONTRACT NO.

APPROVALS		DATE
DRAWN	HELEN	8/8/08
CHECKED		
APPROVED		
ENGINEER	Leo Chen	8/8/08
DESIGNER		



1630 McCarthy Blvd.
Milpitas, CA 95035
Phone: (408)432-1900
Fax: (408)434-0507

TITLE
LTC2636IMS-LZ12 / LTC2636HMS-LMI12
LTC2636CMS-HZ12 / LTC2636HMS-HMI12
12-Bit, Octal SPI DAC with Internal Reference

SIZE	CAGE CODE	DWGNO	REV
		DC1466A-A/B/C/D	A

Wednesday, January 07, 2009

SCALE:	FILENAME:	SHEET	OF
		1	1