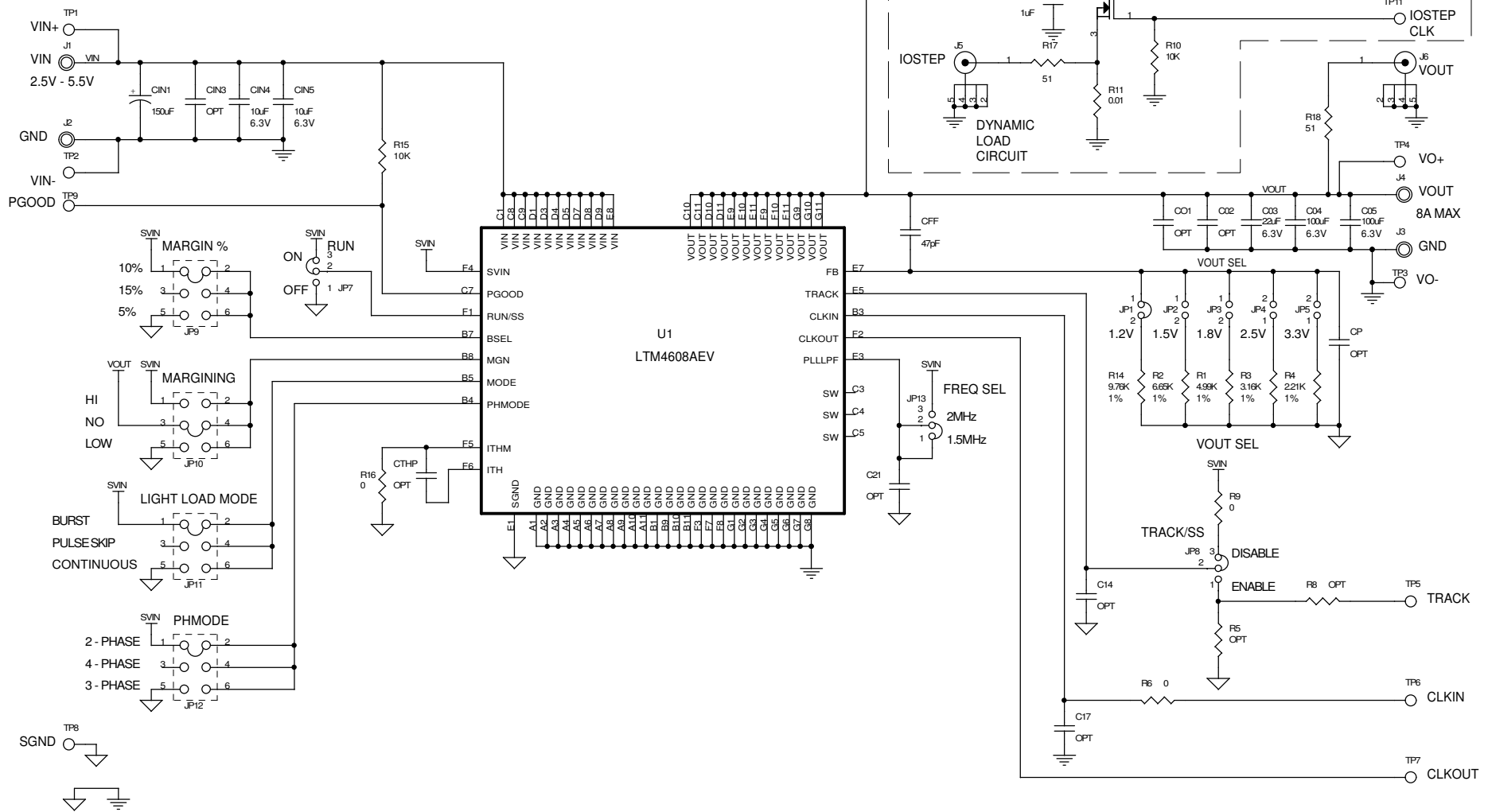

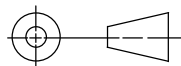


This circuit is proprietary to Linear Technology and supplied for use with Linear Technology parts.
Customer Notice: Linear Technology has made a best effort to design a circuit that meets customer-supplied specifications; however, it remains the customer's responsibility to verify proper and reliable operation in the actual application. Component substitution and printed circuit board layout may significantly affect circuit performance or reliability. Contact Linear Applications Engineering for assistance.

REVISION HISTORY				
ECO	REV	DESCRIPTION	DATE	APPROVED
	1	PROTO	02/14/09	



UNLESS OTHERWISE SPECIFIED DIMENSIONS ARE IN INCHES TOLERANCE ON ANGLE - - - 2 PLACES - - - 3 PLACES - - - INTERPRET DIM AND TOL PER ASME Y14.5M -1994	CONTRACT NO.		 1630 McCarthy Blvd Milpitas, CA 95035 Phone: (408)432-1900 Fax: (408)434-0507
	APPROVALS	DATE	
THIRD ANGLE PROJECTION	DRAWN MEI	02/14/09	TITLE
	CHECKED		SCH, LTM4608AEV, HIGH DENSITY 8A STEP-DOWN POWER μ MODULE
	APPROVED		SIZE
	ENGINEER		CAGE CODE
	DESIGNER		DWG NO
			DC1400A
DO NOT SCALE DRAWING	Tuesday, May 13, 2008		REV
			1
	SCALE: NONE	FILENAME: 1400A-1.DSN	SHEET 1 OF 1