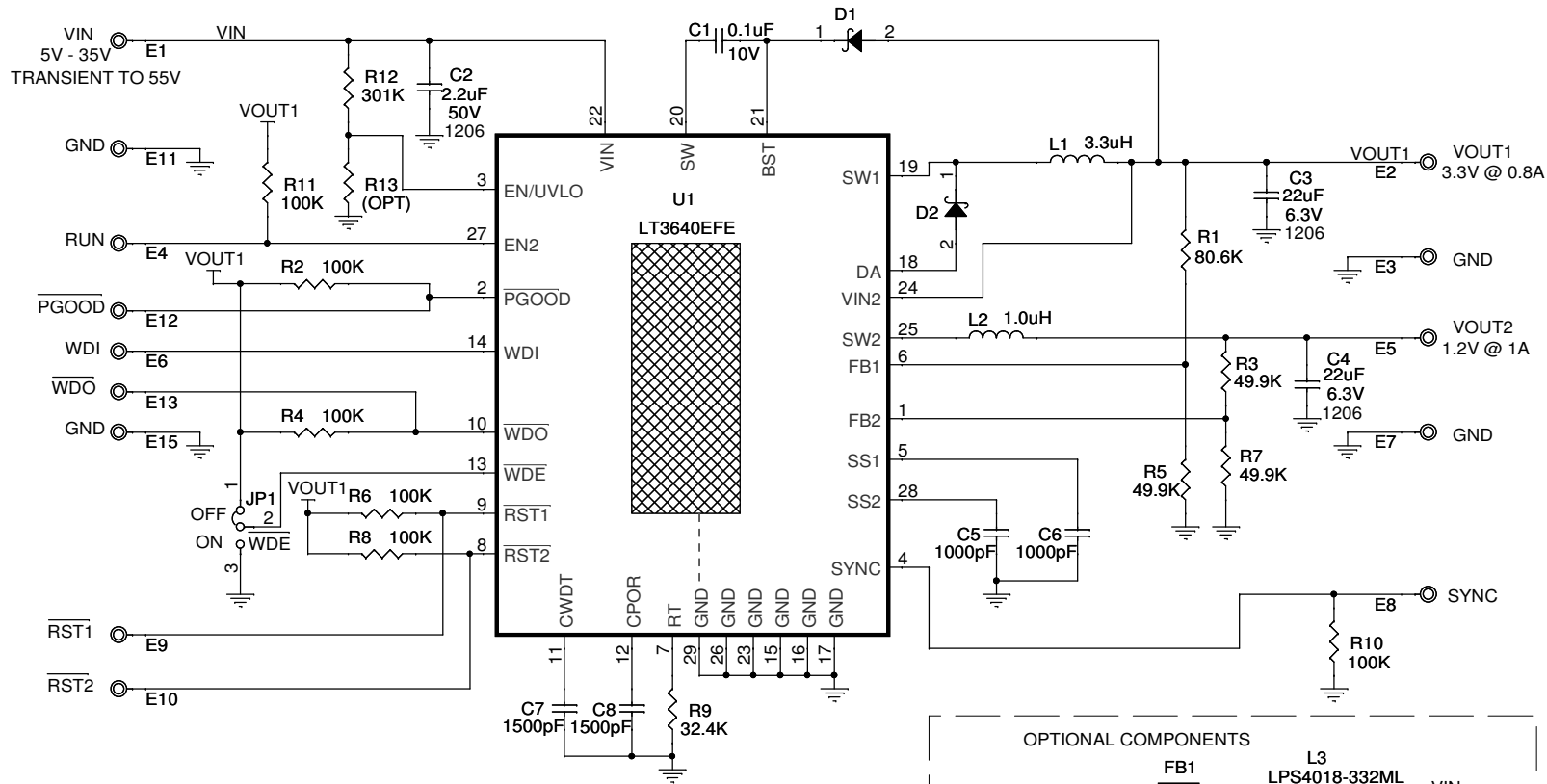



ECO		REV	DESCRIPTION	APPROVED	DATE
-		3	PRODUCTION	JAINO P.	5-19-10



**NOTE: UNLESS OTHERWISE SPECIFIED**

1. ALL RESISTORS ARE IN 0402.  
ALL CAPACITORS ARE IN 0402.
2. INSTALL SHUNTS AS SHOWN.

CUSTOMER NOTICE		APPROVALS		 1630 McCarthy Blvd. Milpitas, CA 95035 Phone: (408)432-1900 www.linear.com Fax: (408)434-0507 LTC Confidential-For Customer Use Only	
LINEAR TECHNOLOGY HAS MADE A BEST EFFORT TO DESIGN A CIRCUIT THAT MEETS CUSTOMER-SUPPLIED SPECIFICATIONS; HOWEVER, IT REMAINS THE CUSTOMER'S RESPONSIBILITY TO VERIFY PROPER AND RELIABLE OPERATION IN THE ACTUAL APPLICATION. COMPONENT SUBSTITUTION AND PRINTED CIRCUIT BOARD LAYOUT MAY SIGNIFICANTLY AFFECT CIRCUIT PERFORMANCE OR RELIABILITY. CONTACT LINEAR TECHNOLOGY APPLICATIONS ENGINEERING FOR ASSISTANCE.		PCB DES.	HZ	<b>TITLE: SCHEMATIC</b> DUAL MONOLITHIC STEP-DOWN SWITCHING REGULATOR WITH POWER-ON RESET AND WATCH DOG TIMER	
THIS CIRCUIT IS PROPRIETARY TO LINEAR TECHNOLOGY AND SUPPLIED FOR USE WITH LINEAR TECHNOLOGY PARTS.		APP ENG.	JAINO P.	SIZE	IC NO.
				N/A	<b>LT3640EFE</b> <b>DEMO CIRCUIT 1359A</b>
		SCALE = NONE		DATE:	<b>Monday, July 19, 2010</b>
				SHEET	<b>1 OF 1</b>

A