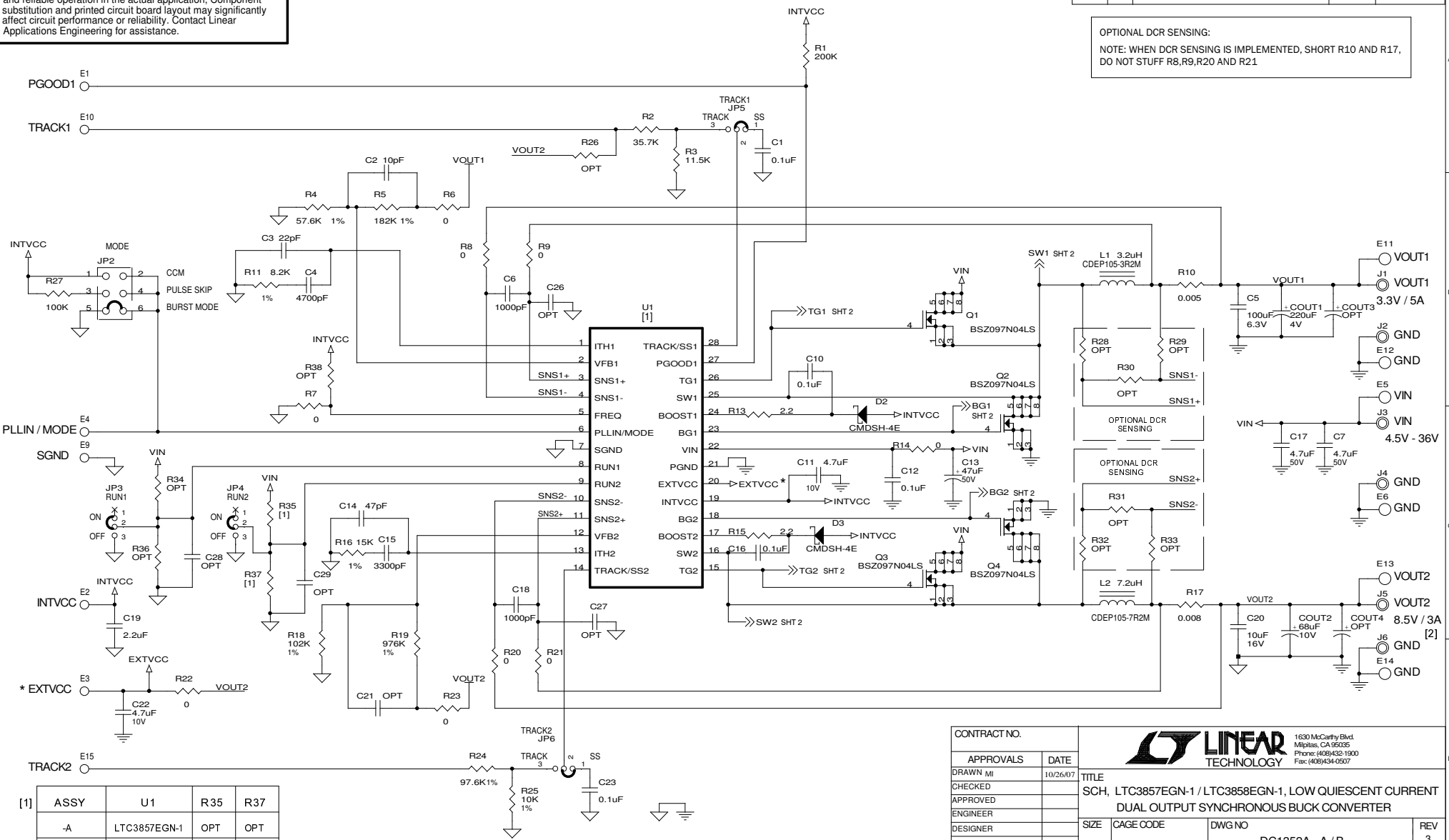


This circuit is proprietary to Linear Technology and used for use with Linear Technology parts.  
**Customer Notice:** Linear Technology has made a best effort to design a circuit that meets customer-supplied specifications; however, it remains the customer's responsibility to verify proper and reliable operation in the actual application. Component substitution and printed circuit board layout may significantly affect circuit performance or reliability. Contact Linear Applications Engineering for assistance.

REVISION HISTORY				
ECO	REV	DESCRIPTION	DATE	APPROVED
	3	PROTO	11/04/08	

OPTIONAL DCR SENSING:  
 NOTE: WHEN DCR SENSING IS IMPLEMENTED, SHORT R10 AND R17, DO NOT STUFF R8,R9,R20 AND R21



[1]	ASSY	U1	R35	R37
-A	LTC3857EGN-1	OPT	OPT	
-B	LTC3858EGN-1	66.5K	12.7K	

\* (14V MAX) [2] FOR REGULATION VIN > 9V

APPROVALS		DATE
DRAWN	Mi	10/26/07
CHECKED		
APPROVED		
ENGINEER		
DESIGNER		

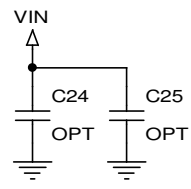
1630 McCarthy Blvd.  
 Milpitas, CA 95035  
 Phone: (408)532-1000  
 Fax: (408)434-0507

CONTRACT NO.		TITLE	
SCH, LTC3857EGN-1 / LTC3858EGN-1, LOW QUIESCENT CURRENT		DUAL OUTPUT SYNCHRONOUS BUCK CONVERTER	
SIZE	CAGE CODE	DWG NO	REV
		DC1352A - A / B	3
SCALE: NONE		FILENAME: 1352A-3.DSN	SHEET 1 OF 2

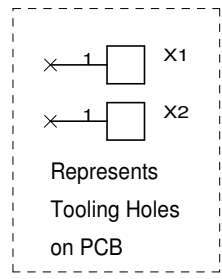
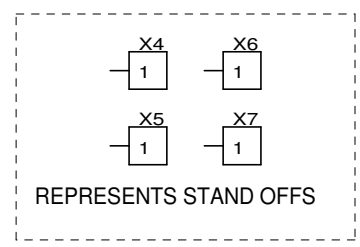
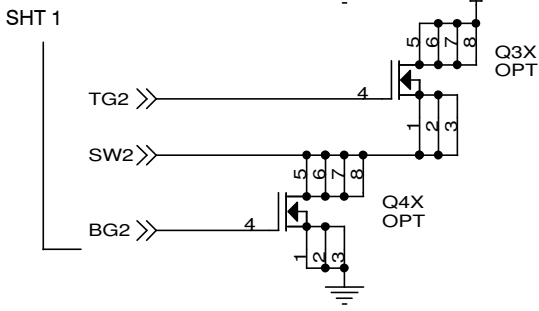
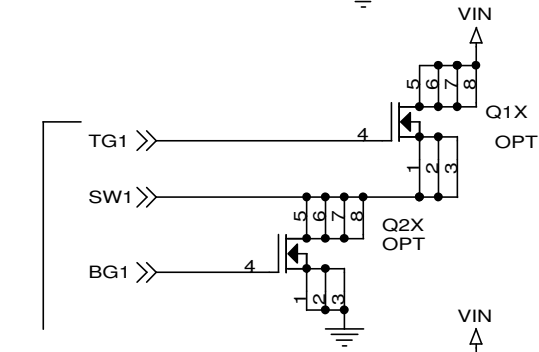
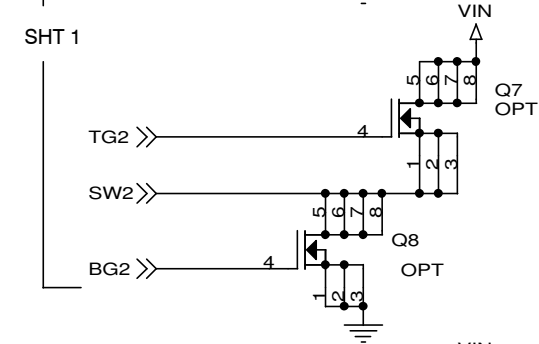
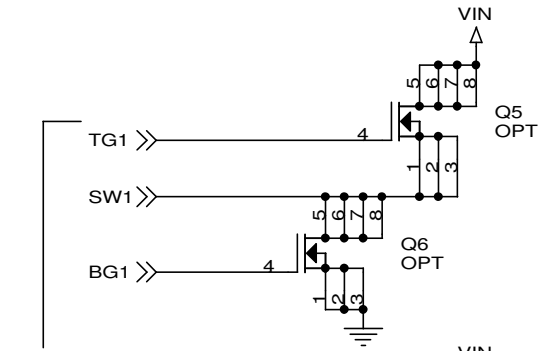
Wednesday, July 22, 2009


This circuit is proprietary to Linear Technology and supplied for use with Linear Technology parts.

**Customer Notice:** Linear Technology has made a best effort to design a circuit that meets customer-supplied specifications; however, it remains the customer's responsibility to verify proper and reliable operation in the actual application. Component substitution and printed circuit board layout may significantly affect circuit performance or reliability. Contact Linear Applications Engineering for assistance.



REVISION HISTORY				
ECO	REV	DESCRIPTION	DATE	APPROVED
	3	PROTO	11/04/08	



CONTRACT NO.		 1630 McCarthy Blvd. Milpitas, CA 95035 Phone: (408)432-1900 Fax: (408)434-0507		
APPROVALS	DATE			
DRAWN MI	10/26/07	TITLE		
CHECKED		SCH, LTC3857EGN-1 / LTC3858EGN-1, LOW QUIESCENT CURRENT		
APPROVED		DUAL OUTPUT SYNCHRONOUS BUCK CONVERTER		
ENGINEER		SIZE	CAGE CODE	DWG NO
DESIGNER				DC1352A - A / B
				REV 3
Wednesday, July 22, 2009		SCALE: NONE	FILENAME: 1352A-2.DSN	SHEET 2 OF 2