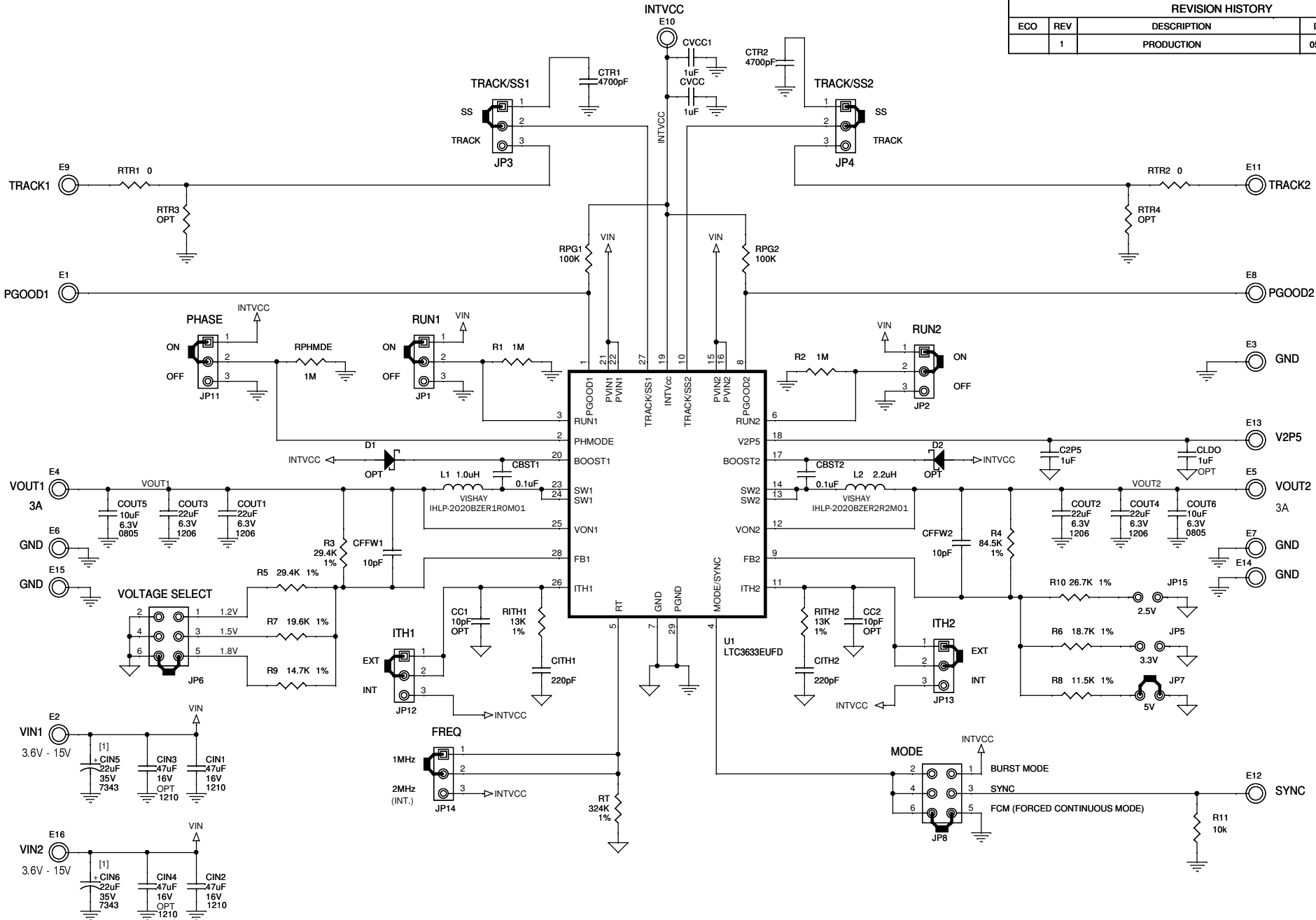



REVISION HISTORY				
ECO	REV	DESCRIPTION	DATE	APPROVED
	1	PRODUCTION	05/16/11	TOM G.



NOTES: UNLESS OTHERWISE SPECIFIED, _____

- CIN5 AND CIN6 ARE INSERTED ON DC1347 TO DAMPEN THE (POSSIBLE) RINGING VOLTAGE DUE TO THE USE OF LONG INPUT LEADS. ON A NORMAL, TYPICAL PCB, WITH SHORT TRACES, CIN5 AND CIN6 ARE NOT NEEDED.
- ALL RESISTOR AND CAPACITOR CASE SIZE ARE 0402.

CUSTOMER NOTICE		APPROVALS		 LINEAR TECHNOLOGY	1630 McCarthy Blvd. Milpitas, CA 95035 Phone: (408)432-1900 www.linear.com Fax: (408)434-0507 LTC Confidential-For Customer Use Only	
LINEAR TECHNOLOGY HAS MADE A BEST EFFORT TO DESIGN A CIRCUIT THAT MEETS CUSTOMER-SUPPLIED SPECIFICATIONS; HOWEVER, IT REMAINS THE CUSTOMER'S RESPONSIBILITY TO VERIFY PROPER AND RELIABLE OPERATION IN THE ACTUAL APPLICATION. COMPONENT SUBSTITUTION AND PRINTED CIRCUIT BOARD LAYOUT MAY SIGNIFICANTLY AFFECT CIRCUIT PERFORMANCE OR RELIABILITY. CONTACT LINEAR TECHNOLOGY APPLICATIONS ENGINEERING FOR ASSISTANCE.		PCB DES.	MI		TITLE: SCHEMATIC DUAL SYNCHRONOUS STEP-DOWN REGULATOR	
THIS CIRCUIT IS PROPRIETARY TO LINEAR TECHNOLOGY AND SUPPLIED FOR USE WITH LINEAR TECHNOLOGY PARTS.		APP ENG.	TOM G.	SIZE N/A	IC NO. LTC3633EUFD DEMO CIRCUIT 1347B	DATE: Monday, May 16, 2011 SHEET 1 OF 1
		SCALE = NONE				