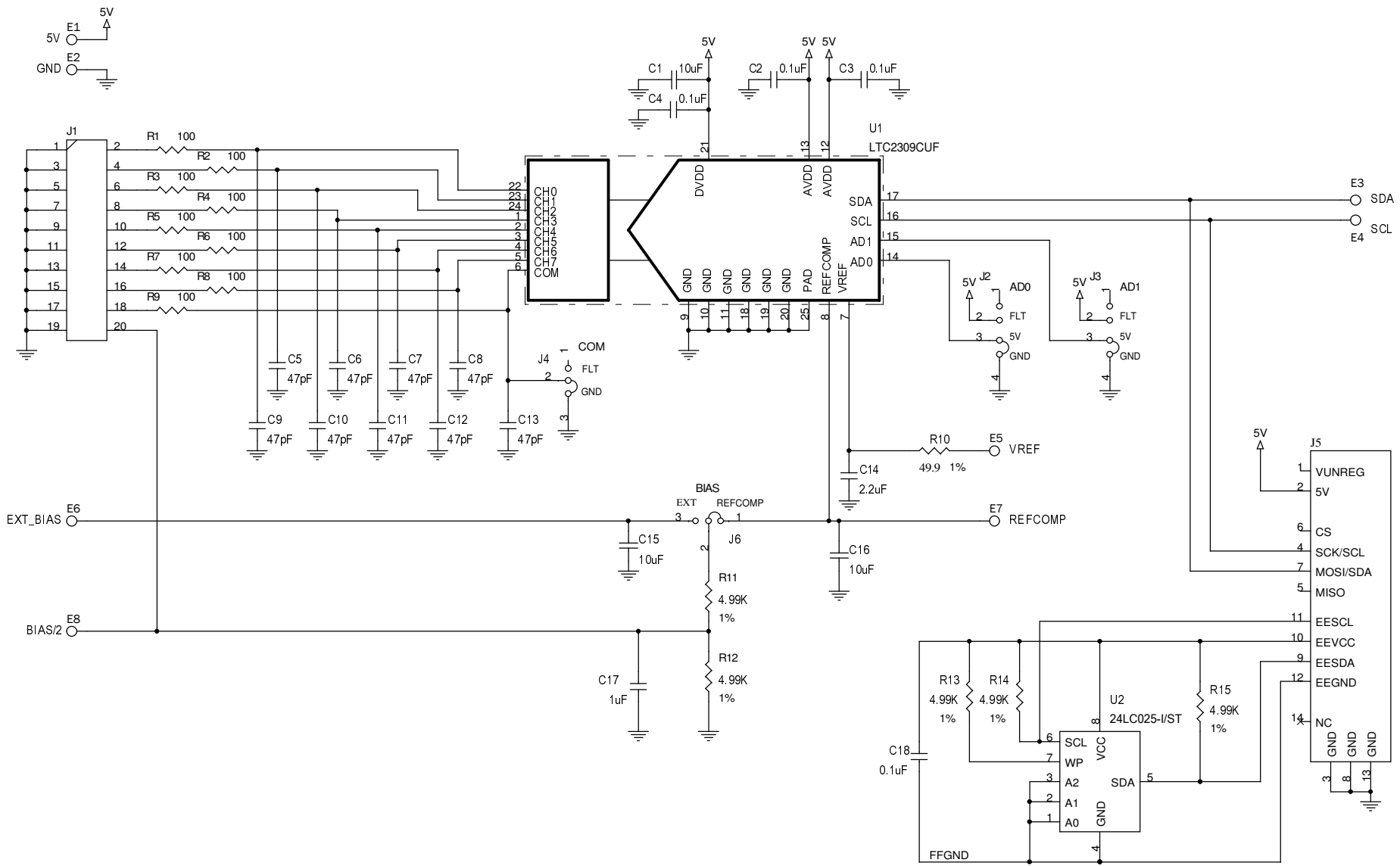



This circuit is proprietary to Linear Technology and supplied for use with Linear Technology parts.
Customer Notice: Linear Technology has made a best effort to design a circuit that meets customer-supplied specifications; however, it remains the customer's responsibility to verify proper and reliable operation in the actual application. Component substitution and printed circuit board layout may significantly affect circuit performance or reliability. Contact Linear Applications Engineering for assistance.

REVISION HISTORY				
ECO	REV	DESCRIPTION	DATE	APPROVED
	1	PROTO	09/25/07	



CONTRACT NO.		 1630 McCarthy Blvd. Milpitas, CA 95035 Phone: (408)432-1500 Fax: (408)434-0507			
APPROVALS	DATE				
DRAWN	mi 09/24/07				
CHECKED					
APPROVED					
ENGINEER		TITLE			
DESIGNER		SCH, LTC2309CUF, 8-CH LOW NOISE I2C ADC			
		SIZE	CAGE CODE	DWG NO	REV
				DC1337A	1
Wednesday, January 16, 2008		SCALE:	FILENAME: 1337A-1.DSN	SHEET 1	OF 1