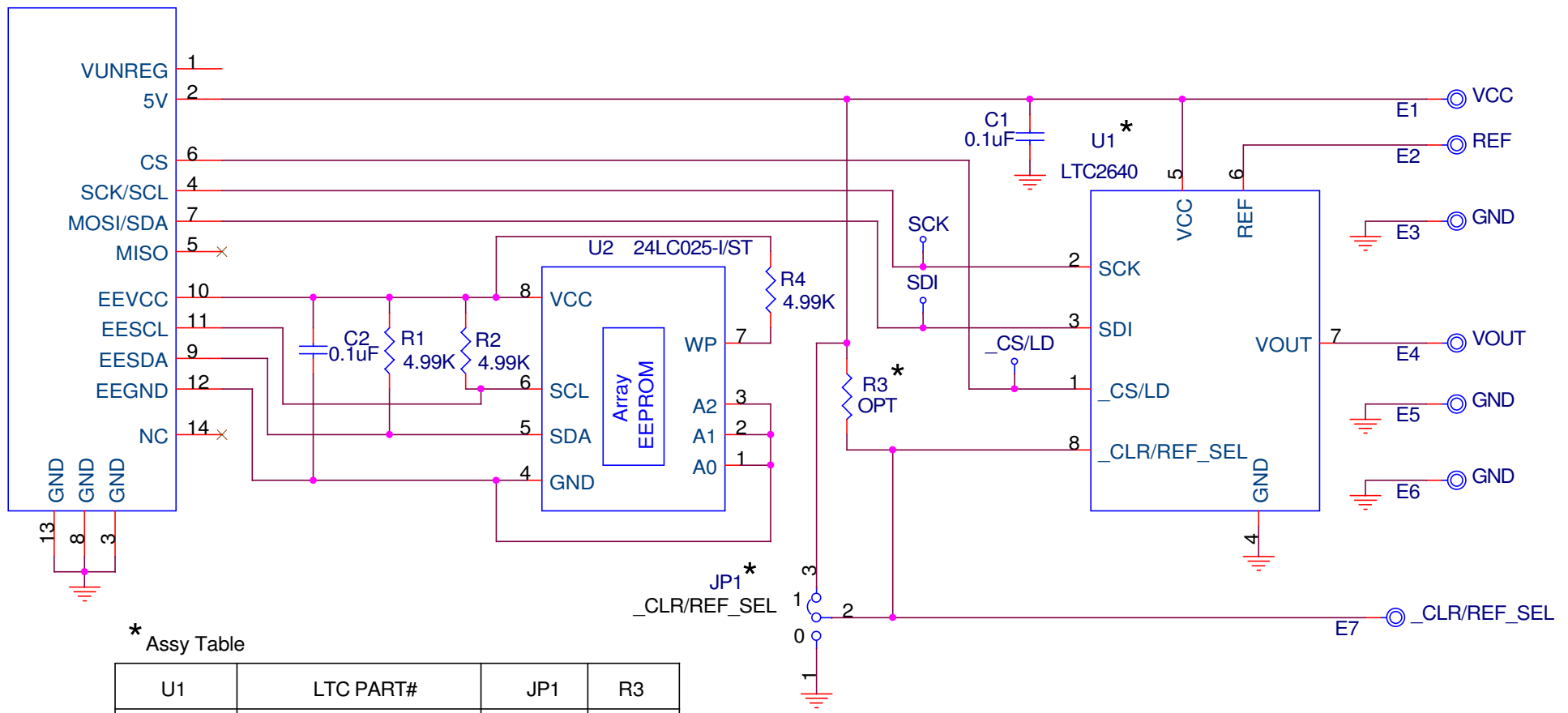


J1
HDR2X7-079-MOLEX



* Assy Table

U1	LTC PART#	JP1	R3
-A	LTC2640 - LM12	JP1	NO
-B	LTC2640 - LZ12	NO	4.99K
-C	LTC2640 - HM12	JP1	NO
-D	LTC2640 - HZ12	NO	4.99K

CUSTOMER NOTICE

LINEAR TECHNOLOGY HAS MADE A BEST EFFORT TO DESIGN A CIRCUIT THAT MEETS CUSTOMER-SUPPLIED SPECIFICATIONS; HOWEVER, IT REMAINS THE CUSTOMER'S RESPONSIBILITY TO VERIFY PROPER AND RELIABLE OPERATION IN THE ACTUAL APPLICATION. COMPONENT SUBSTITUTION AND PRINTED CIRCUIT BOARD LAYOUT MAY SIGNIFICANTLY AFFECT CIRCUIT PERFORMANCE OR RELIABILITY. CONTACT LINEAR TECHNOLOGY APPLICATIONS ENGINEERING FOR ASSISTANCE.

THIS CIRCUIT IS PROPRIETARY TO LINEAR TECHNOLOGY AND SUPPLIED FOR USE WITH LINEAR TECHNOLOGY PARTS.

CONTRACT NO.

APPROVALS		DATE
DRAWN	HELEN	9/12/07
CHECKED		
APPROVED		
ENGINEER	Leo Chen	9/12/07
DESIGNER		

Tuesday, September 23, 2008



1630 McCarthy Blvd.
Milpitas, CA 95035
Phone: (408)432-1900
Fax: (408)434-0507

TITLE
LTC2640-LM12/LZ12/HM12/HZ12
Single 12/10/8-Bit SPI Vout DAC

SIZE	CAGE CODE	DWG NO	REV
		DC1333A-A/B/C/D	A

SCALE: FILENAME: SHEET 1 OF 1