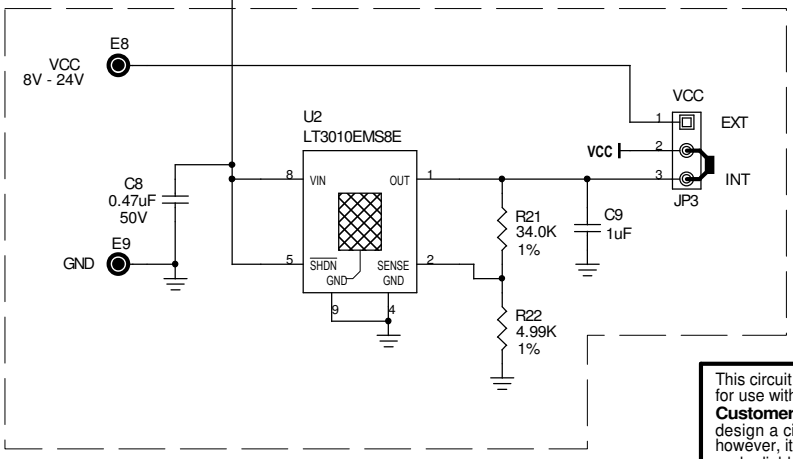
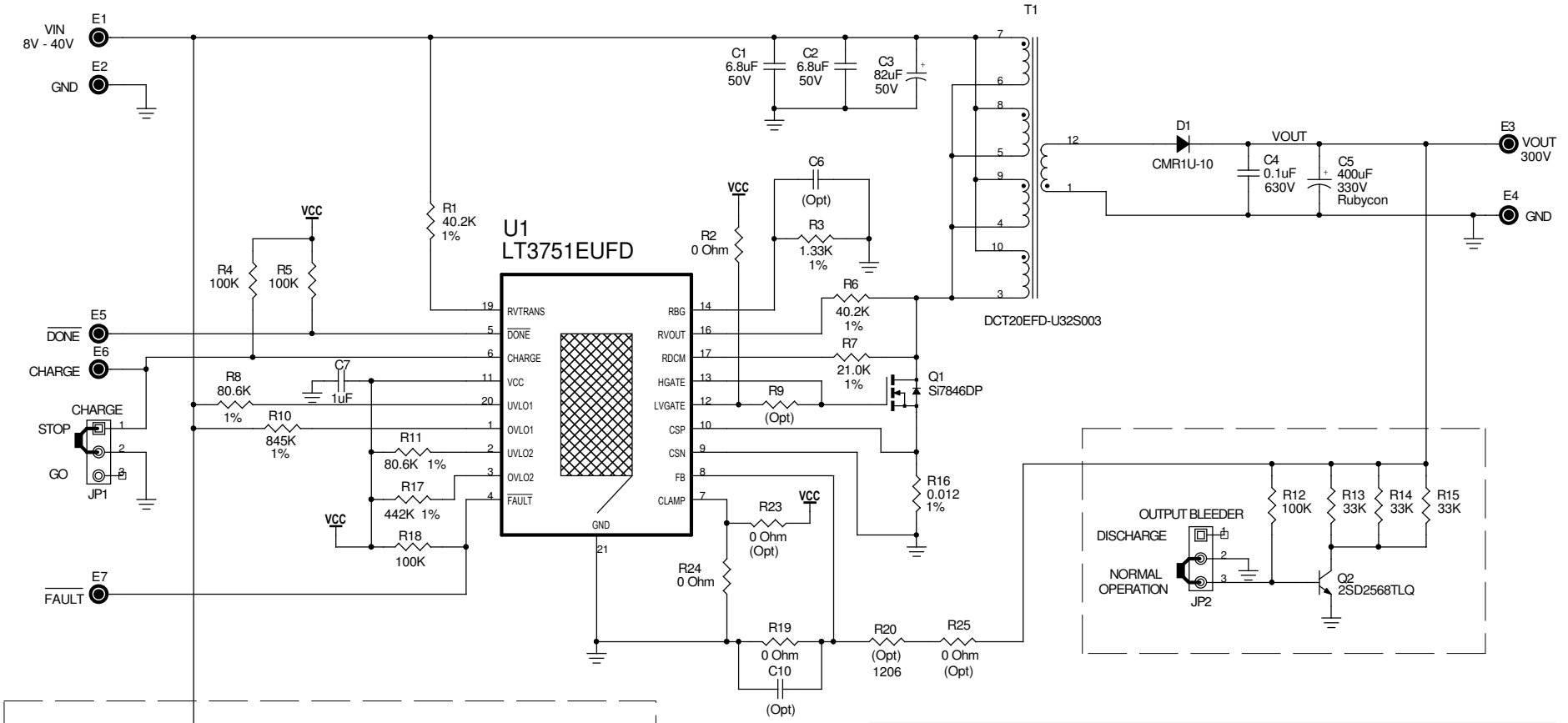


REVISION HISTORY				
ECO	REV	DESCRIPTION	DATE	APPROVED
	0	1st PROTOTYPE		



WARNING! SHOCK HAZARD. OPERATION BY HIGH VOLTAGE TRAINED PERSONNEL ONLY.

This circuit is proprietary to Linear Technology and supplied for use with Linear Technology parts.
Customer Notice: Linear Technology has made a best effort to design a circuit that meets customer-supplied specifications; however, it remains the customers responsibility to verify proper and reliable operation in the actual application. Component substitution and printed circuit board layout may significantly affect circuit performance or reliability. Contact Linear Applications Engineering for assistance.

APPROVALS		LINEAR TECHNOLOGY CORPORATION	
DRAWN: Rudy Bautista		1630 McCARTHY BLVD	www.linear.com
ENGINEER: Wei Gu		MILPITAS, CA. 95035	LTC Confidential -
APPROVED:		(408)432-1900	For Customer Use Only
CHECKED:		(408)434-0507 (FAX)	
		Title: LT3751EUFD Capacitor Charger Controller with Regulation	
		SD Document Number	Demo Circuit 1322A
Date: Wednesday, February 04, 2009		C:\ORCADWINCAPTURE\1322A\1322A_REV1.DSN	Rev 1
		Sheet 1	of 1