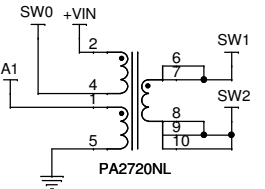
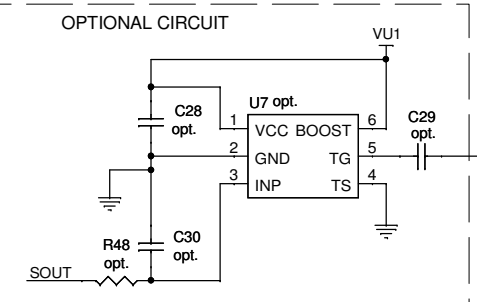


OPTIONAL FOOTPRINT FOR T1



OPTIONAL CIRCUIT



NOTES: UNLESS OTHERWISE SPECIFIED

- 1. ALL RESISTORS ARE 0603.
- ALL CAPACITORS ARE 0603.

* SEE QUICK START GUIDE.

** FOR ASSEMBLY

| VERSIONS | +VIN | +VOUT |
|----------|------------|-------------------------|
| - A | 34V - 75V | 3.3V @ 30A |
| - B | 18V - 72V | 5V @ 25A |
| - C | 18V - 72V | 12V @ 8A |
| - D | 18V - 72V | 24V @ 4A |
| - E | 36V - 72V | 5V @ 12A |
| - F | 9V - 36V | 3.3V @ 20A (5V @ 15A) * |
| - G | 9V - 36V | 12V @ 5A (18V @ 4A) * |
| - H | 9V - 36V * | 48V @ 1.5A |

| | | | | | |
|---|--|----------------------|------|---|-----------|
| <p>CUSTOMER NOTICE</p> <p>LINEAR TECHNOLOGY HAS MADE A BEST EFFORT TO DESIGN A CIRCUIT THAT MEETS CUSTOMER-SUPPLIED SPECIFICATIONS; HOWEVER, IT REMAINS THE CUSTOMER'S RESPONSIBILITY TO VERIFY PROPER AND RELIABLE OPERATION IN THE ACTUAL APPLICATION. COMPONENT SUBSTITUTION AND PRINTED CIRCUIT BOARD LAYOUT MAY SIGNIFICANTLY AFFECT CIRCUIT PERFORMANCE OR RELIABILITY. CONTACT LINEAR TECHNOLOGY APPLICATIONS ENGINEERING FOR ASSISTANCE.</p> | | CONTRACT NO. | | <p>1630 McCarthy Blvd. Milpitas, CA 95035 Phone: (408)432-1900 Fax: (408)434-0507</p> | |
| | | APPROVALS | DATE | | |
| DRAWN J. Wu | | 10/8/07 | | <p>TITLE</p> <p>LT1952EGN-1, LT4430ES6</p> <p>ISOLATED FORWARD DC/DC CONVERTER</p> | |
| ENGINEER G. Perica | | 10/8/07 | | | |
| CHECKED | | | | SIZE | CAGE CODE |
| APPROVED | | | | DWG NO | DC1317A-H |
| THIS CIRCUIT IS PROPRIETARY TO LINEAR TECHNOLOGY AND SUPPLIED FOR USE WITH LINEAR TECHNOLOGY PARTS. | | Friday, May 18, 2012 | | SCALE: | FILENAME: |
| | | | | SHEET | 1 OF 1 |