


NOTES: UNLESS OTHERWISE SPECIFIED

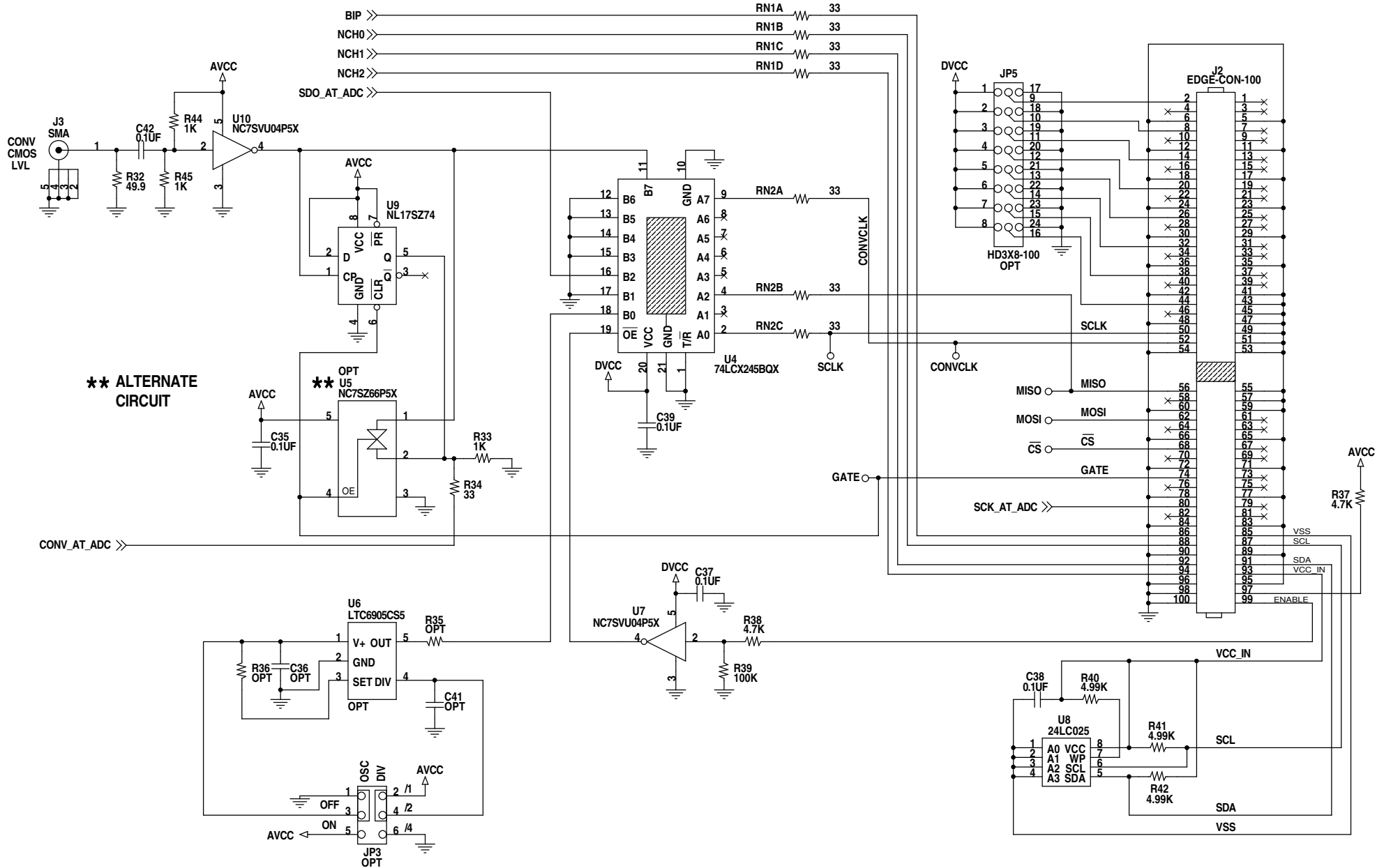
1. ALL RESISTORS ARE IN OHMS, 0402.
2. INSTALL SHUNTS ON JP1-JP3 PIN 1&3, PIN 2&4.

CUSTOMER NOTICE


LINEAR TECHNOLOGY HAS MADE A BEST EFFORT TO DESIGN A CIRCUIT THAT MEETS CUSTOMER-SUPPLIED SPECIFICATIONS; HOWEVER, IT REMAINS THE CUSTOMER'S RESPONSIBILITY TO VERIFY PROPER AND RELIABLE OPERATION IN THE ACTUAL APPLICATION. COMPONENT SUBSTITUTION AND PRINTED CIRCUIT BOARD LAYOUT MAY SIGNIFICANTLY AFFECT CIRCUIT PERFORMANCE OR RELIABILITY. CONTACT LINEAR TECHNOLOGY APPLICATIONS ENGINEERING FOR ASSISTANCE.

THIS CIRCUIT IS PROPRIETARY TO LINEAR TECHNOLOGY AND SUPPLIED FOR USE WITH LINEAR TECHNOLOGY PARTS.

CONTRACT NO.		1630 McCarthy Blvd. Milpitas, CA 95035 Phone: (408)432-1900 Fax: (408)434-0507 LTC Confidential-For Customer Use Only	
APPROVALS		TITLE: SCHEMATIC 6 CHANNEL, 14-BIT, 1.5Msps SIMULTANEOUS SAMPLING ADC	
DRAWN: KIM T.			
CHECKED:			
APPROVED:	SIZE A	DWG NO. DC1278A - LTC2351CUH-14	REV A
ENGINEER: GUY H.	DATE: Thursday, June 28, 2007	SHEET 1 OF 2	
DESIGNER:			



**** ALTERNATE CIRCUIT**

CUSTOMER NOTICE		CONTRACT NO.	 1630 McCarthy Blvd. Milpitas, CA 95035 Phone: (408)432-1900 Fax: (408)434-0507 LTC Confidential-For Customer Use Only
LINEAR TECHNOLOGY HAS MADE A BEST EFFORT TO DESIGN A CIRCUIT THAT MEETS CUSTOMER-SUPPLIED SPECIFICATIONS; HOWEVER, IT REMAINS THE CUSTOMER'S RESPONSIBILITY TO VERIFY PROPER AND RELIABLE OPERATION IN THE ACTUAL APPLICATION. COMPONENT SUBSTITUTION AND PRINTED CIRCUIT BOARD LAYOUT MAY SIGNIFICANTLY AFFECT CIRCUIT PERFORMANCE OR RELIABILITY. CONTACT LINEAR TECHNOLOGY APPLICATIONS ENGINEERING FOR ASSISTANCE. THIS CIRCUIT IS PROPRIETARY TO LINEAR TECHNOLOGY AND SUPPLIED FOR USE WITH LINEAR TECHNOLOGY PARTS.		APPROVALS	
		DRAWN: KIM T.	
		CHECKED:	
		APPROVED:	
DESIGNER:	TITLE: SCHEMATIC 6 CHANNEL, 14-BIT, 1.5Msps SIMULTANEOUS SAMPLING ADC		
DATE: Thursday, June 28, 2007	SIZE A DWG NO. DC1278A - LTC2351CUH-14 REV A	SHEET 2 OF 2	