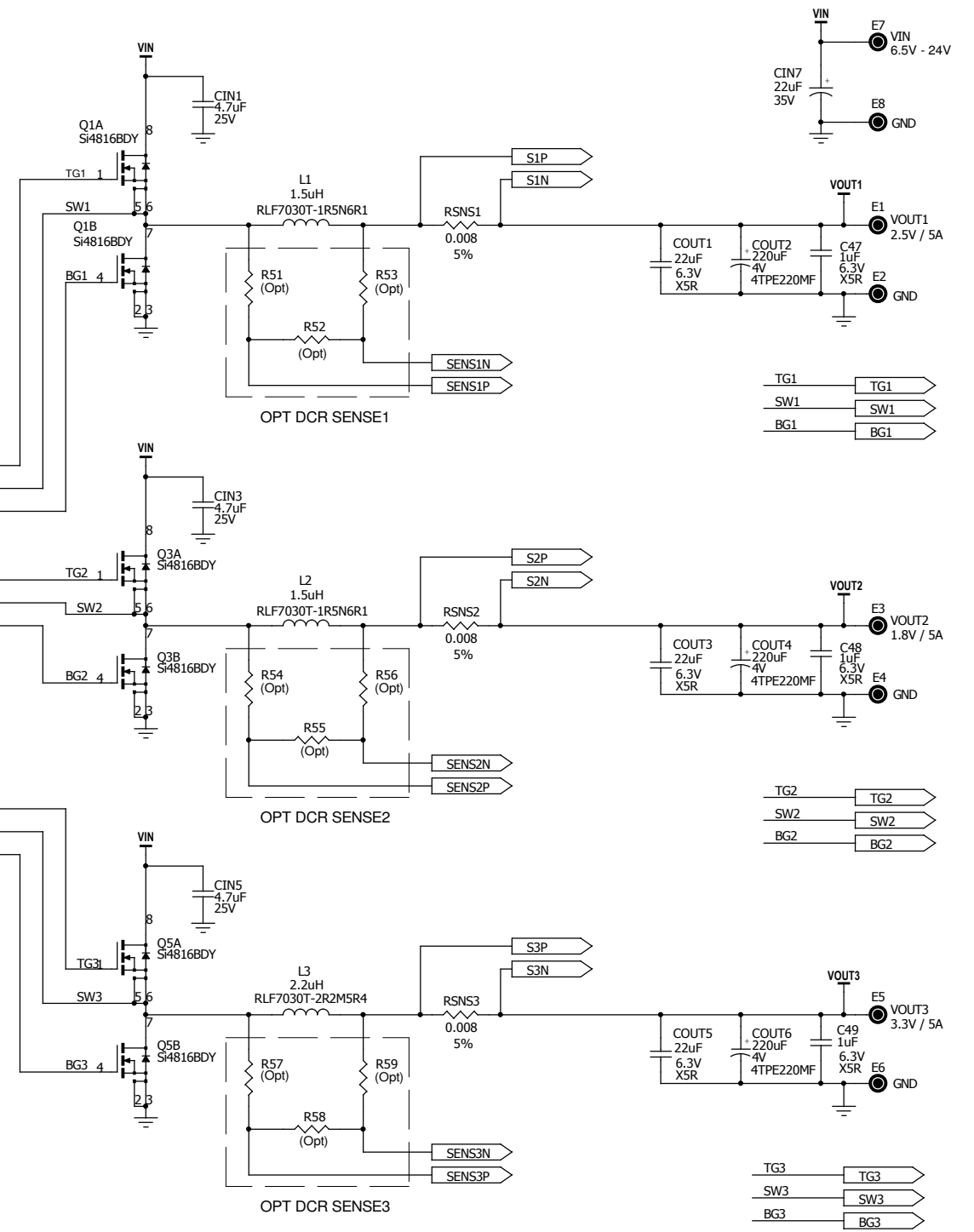
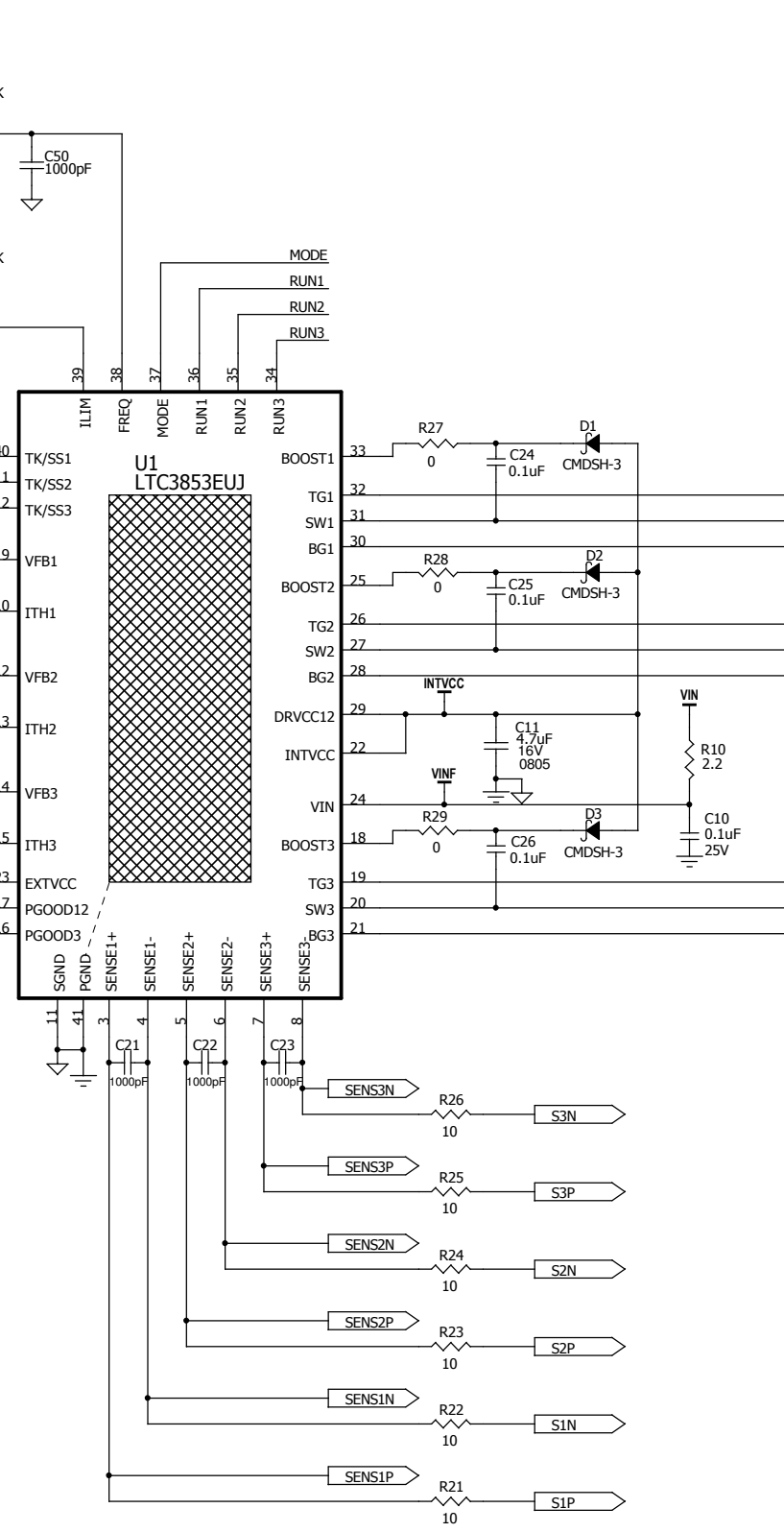
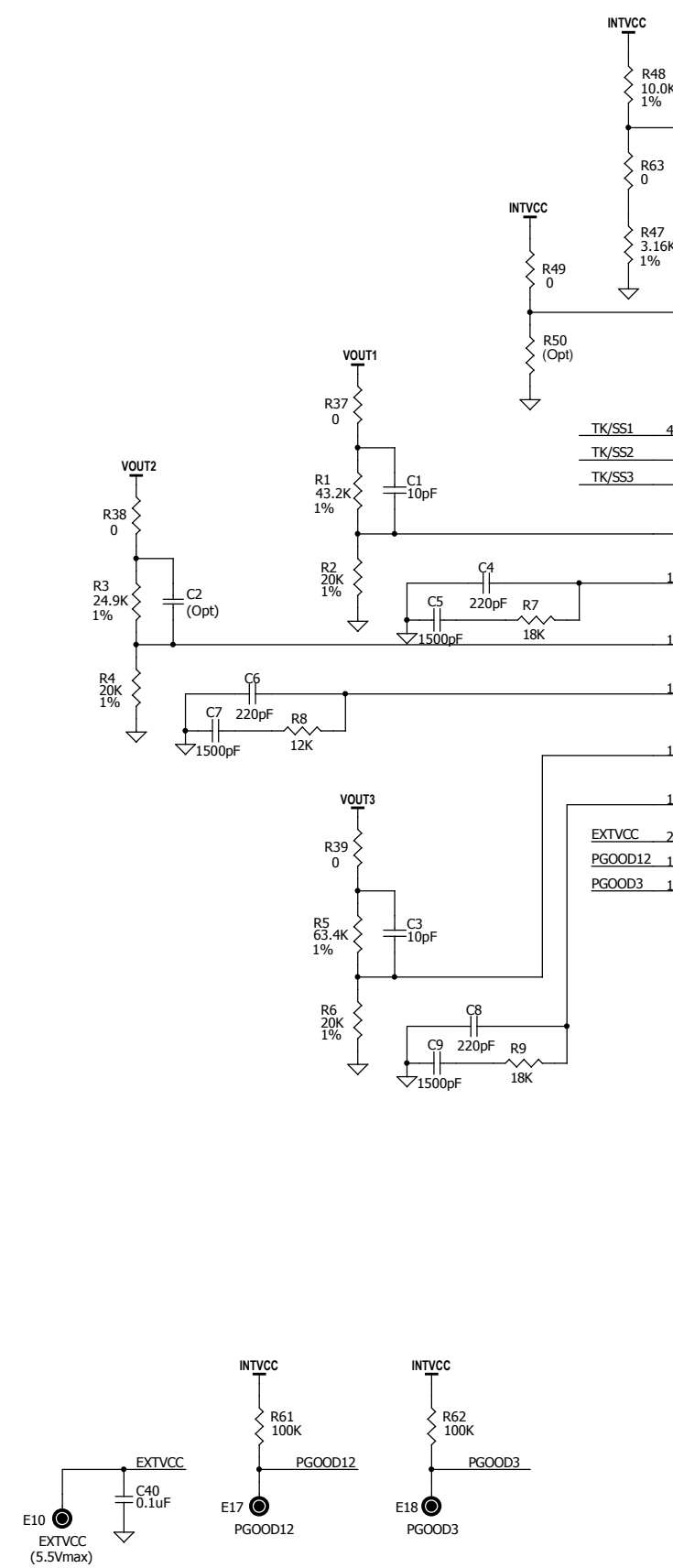
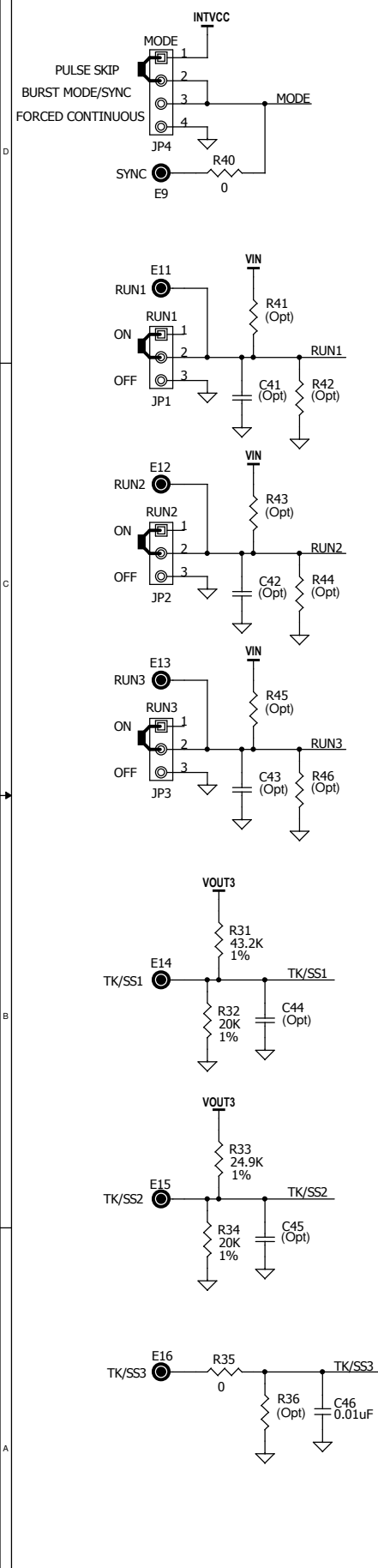
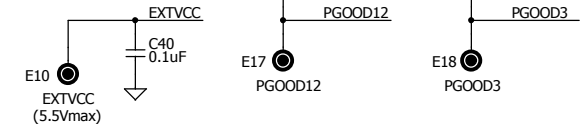


REVISION HISTORY				
ECO	REV	DESCRIPTION	DATE	APPROVED
	0	PROTO	xx/xx/07	



### OPTIONAL DCR SENSING

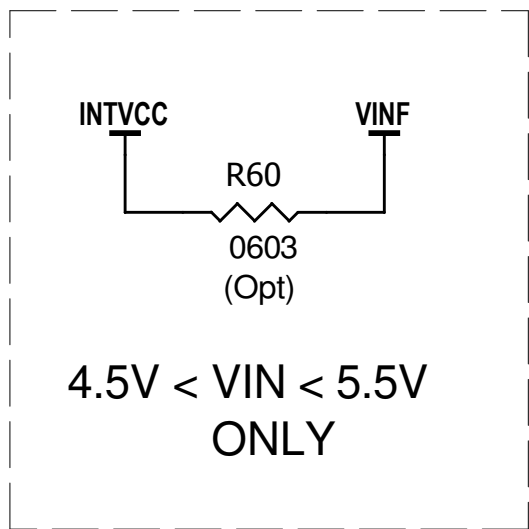
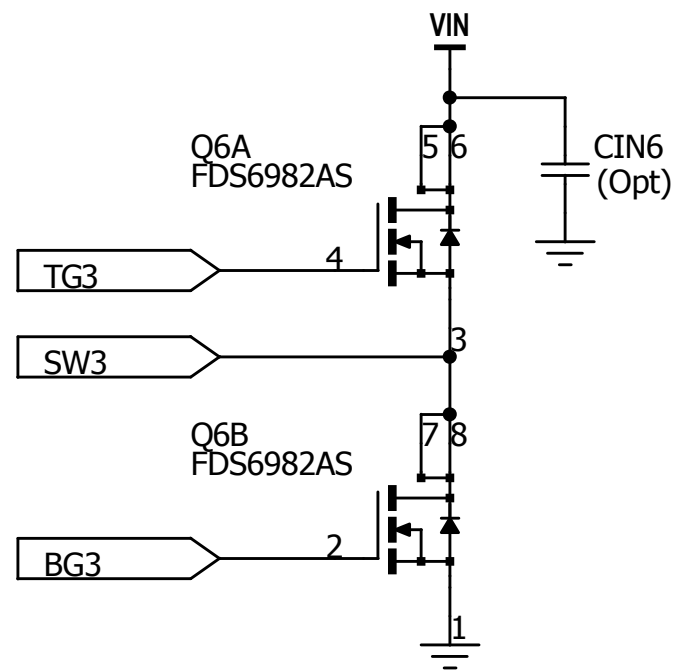
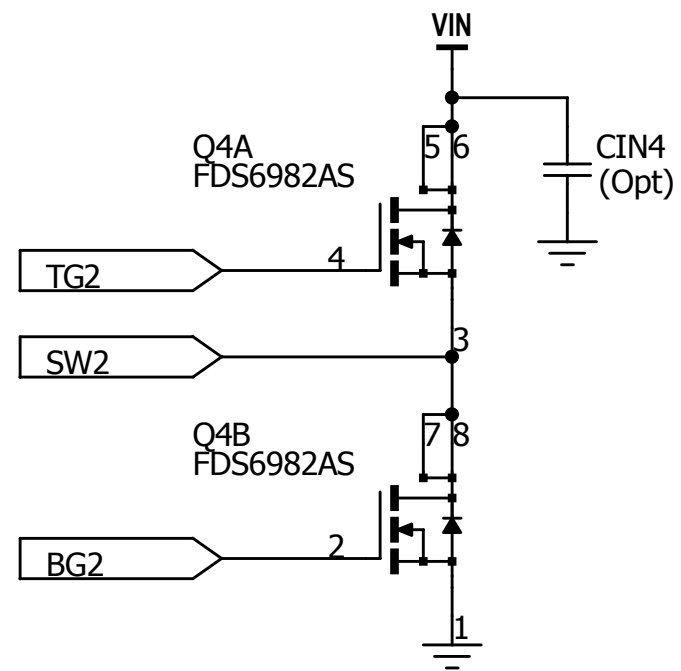
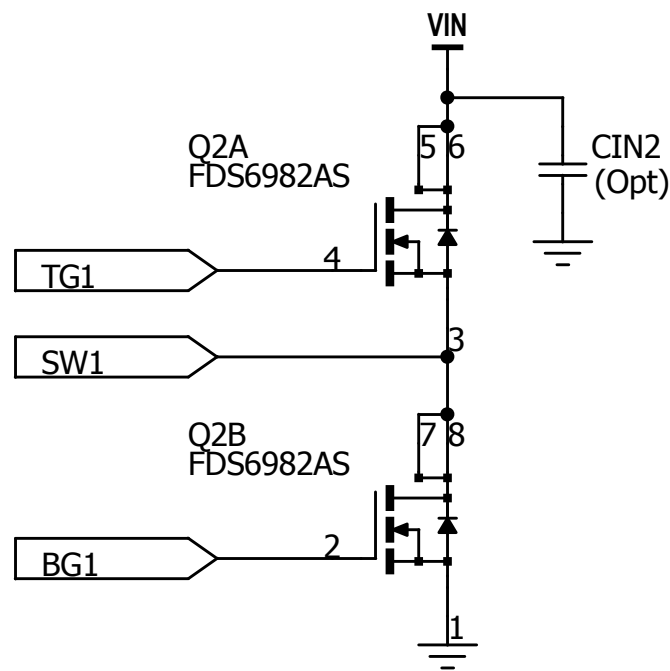
NOTE: When DCR sensing is implemented short RSNS1, RSNS2, RSNS3 and do not populate R21, R22, R23, R24, R25 and R26.



This circuit is proprietary to Linear Technology and supplied for use with Linear Technology parts.  
**Customer Notice:** Linear Technology has made a best effort to design a circuit that meets customer-supplied specifications; however, it remains the customers responsibility to verify proper and reliable operation in the actual application. Component substitution and printed circuit board layout may significantly affect circuit performance or reliability. Contact Linear Applications Engineering for assistance.

APPROVALS		LINEAR TECHNOLOGY CORPORATION	
DRAWN: Rudy Bautista	ENGINEER: Johan Strydom	1630 McCARTHY BLVD MILPITAS, CA. 95035 (408)432-1900 (408)434-0507 (FAX)	www.linear.com LTC Confidential - For Customer Use Only
APPROVED:	CHECKED:	Title: LTC3853EUJ Polyphase 3-Output Step-Down Supply with Tracking	
Date: Tuesday, September 09, 2008		SD Document Number	Demo Circuit 1254A
C:\ORCAD\WINCAPTURE\1319A\1254A_REV3.DSN		Sheet	1 of 2

# OPTIONAL MOSFETS



<b>APPROVALS</b>		LINEAR TECHNOLOGY CORPORATION 1630 McCARTHY BLVD MILPITAS, CA. 95035 (408)432-1900 (408)434-0507 (FAX)		www.linear.com LTC Confidential - For Customer Use Only
DRAWN: <i>Rudy Bautista</i>		Title: LTC3853EUI		Rev <b>3</b>
ENGINEER: Johan Strydom		Polyphase 3-Output Step-Down Supply with Tracking		
APPROVED:		SD Document Number	<b>Demo Circuit 1254A</b>	
CHECKED:				
Date: Wednesday, July 09, 2008	C:\ORCADWIN\CAPTURE\1254A\1254A_00_REV3.DSN		Sheet 2 of 2	