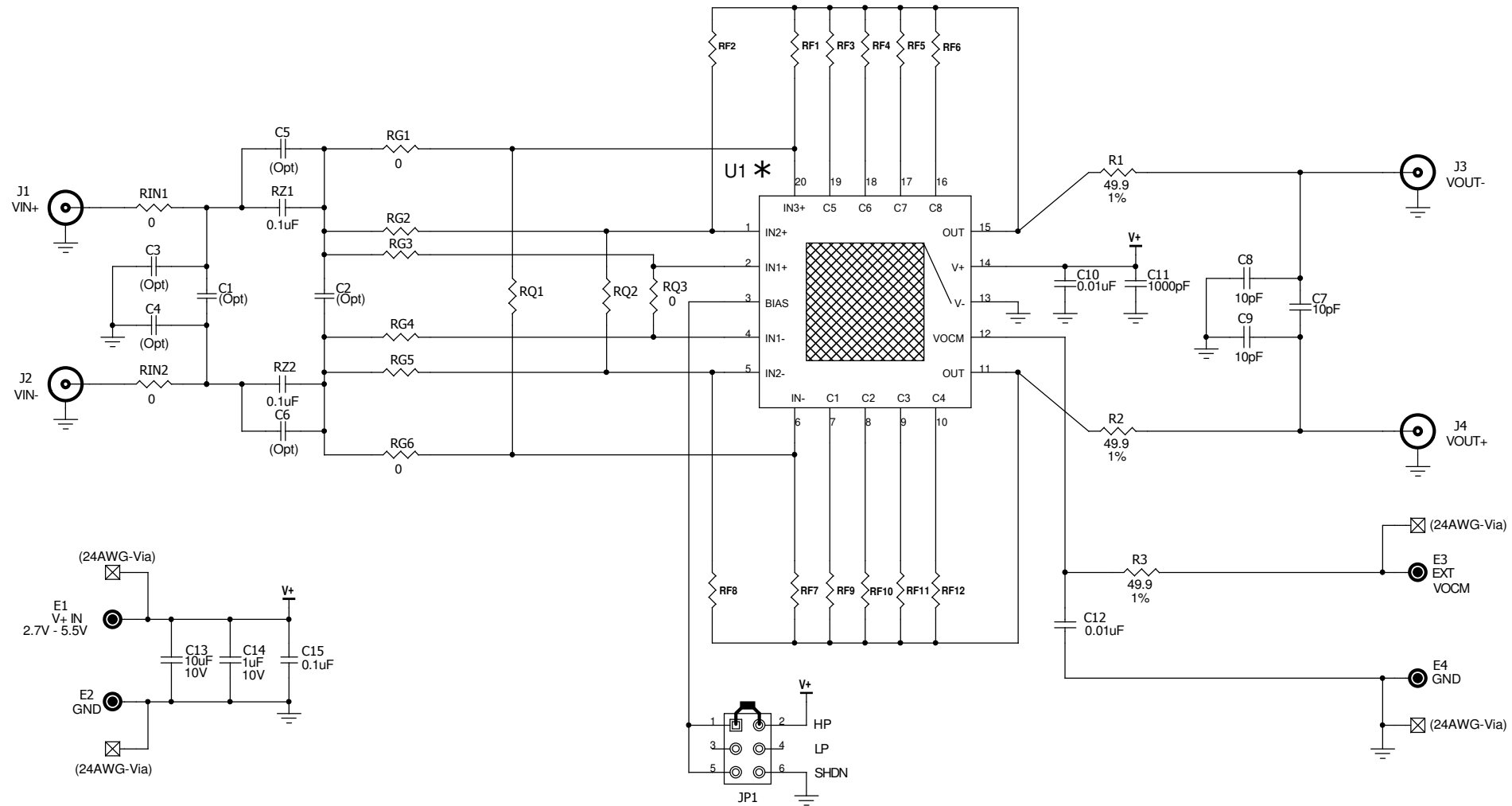


REVISION #				REVISION HISTORY		
SD	PC	AD	FD	DESCRIPTION	DATE	APPROVED
0	0	0	0	1st Release		
2	2	2	2	ADDED- R4 & R5, Edit Board Name	02/12/08	Philip K
3	2	2	2	DELETE- R4 & R5	03/23/08	Philip K



### BOARD ASSEMBLY

* ASSY	U1
DC1251A-A	LTC6601CUF-1#TR
DC1251A-B	LTC6601CUF-2#TR

This circuit is proprietary to Linear Technology and supplied for use with Linear Technology parts.  
**Customer Notice:** Linear Technology has made a best effort to design a circuit that meets customer-supplied specifications; however, it remains the customers responsibility to verify proper and reliable operation in the actual application. Component substitution and printed circuit board layout may significantly affect circuit performance or reliability. Contact Linear Applications Engineering for assistance.

APPROVALS		LINEAR TECHNOLOGY CORPORATION	
DRAWN: <i>Rudy Bautista</i>		1630 McCARTHY BLVD MILPITAS, CA. 95035 (408)432-1900 (408)434-0507 (FAX)	
ENGINEER: Philip K.		www.linear.com LTC Confidential - For Customer Use Only	
APPROVED:		Title LTC6601CUF-1/LTC6601CUF-2 Pin Programmable Amplifier and Filter (5MHz - 27MHz)	
CHECKED:		Size Document Number <b>Demo Circuit 1251A</b>	
Date: Tuesday, March 24, 2009		C:\ORCADWIN\CAPTURE\1251A\1251A_00_REV3.DSN	
		Sheet 1 of 1	
		Rev 3	