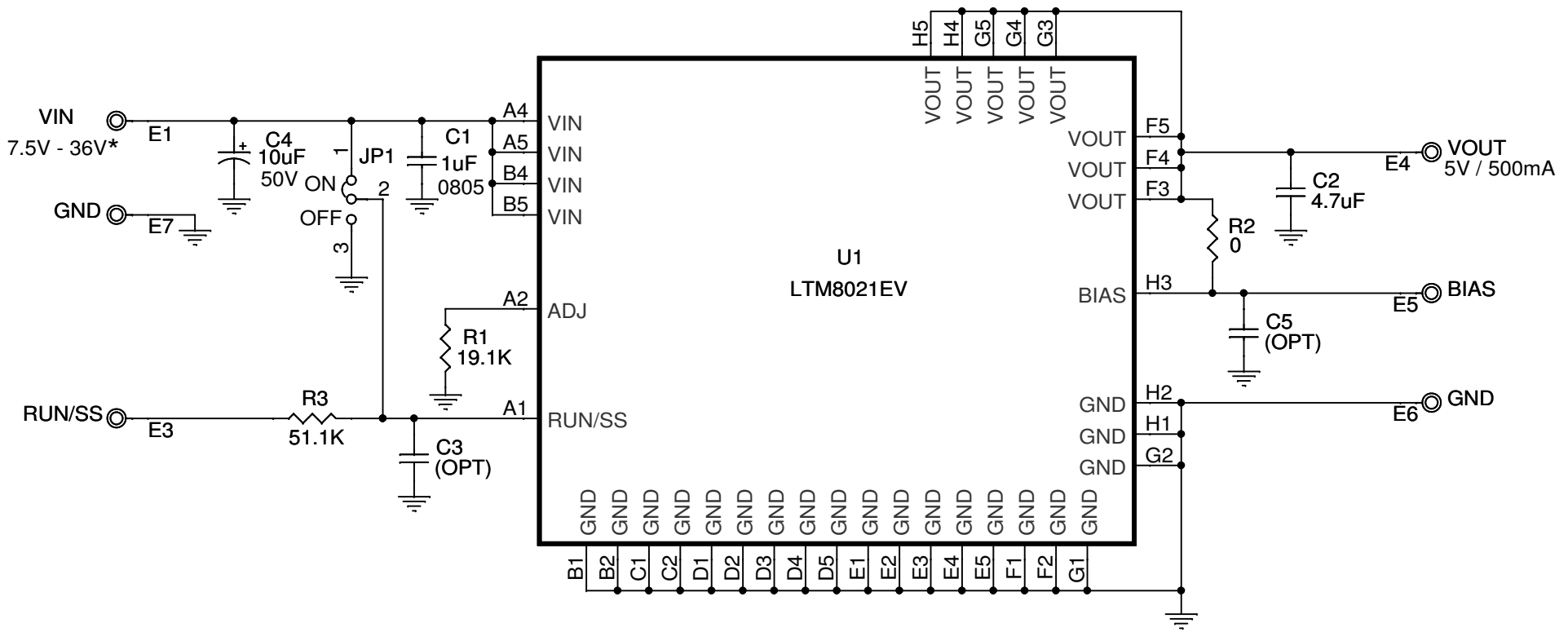


REVISION HISTORY				
ECO	REV	DESCRIPTION	APPROVED	DATE
1	1	PRODUCTION	MOLLY Z.	4-9-12



**NOTE: UNLESS OTHERWISE SPECIFIED**

- 1. ALL RESISTORS ARE 0603.
- ALL CAPACITORS ARE 0603.

\* SEE QUICK START GUIDE

CUSTOMER NOTICE	
<p>LINEAR TECHNOLOGY HAS MADE A BEST EFFORT TO DESIGN A CIRCUIT THAT MEETS CUSTOMER-SUPPLIED SPECIFICATIONS; HOWEVER, IT REMAINS THE CUSTOMER'S RESPONSIBILITY TO VERIFY PROPER AND RELIABLE OPERATION IN THE ACTUAL APPLICATION. COMPONENT SUBSTITUTION AND PRINTED CIRCUIT BOARD LAYOUT MAY SIGNIFICANTLY AFFECT CIRCUIT PERFORMANCE OR RELIABILITY. CONTACT LINEAR TECHNOLOGY APPLICATIONS ENGINEERING FOR ASSISTANCE.</p>	
<p>THIS CIRCUIT IS PROPRIETARY TO LINEAR TECHNOLOGY AND SUPPLIED FOR USE WITH LINEAR TECHNOLOGY PARTS.</p>	

APPROVALS	
PCB DES.	HZ
APP ENG.	MOLLY Z.
SCALE = NONE	

		<p>1630 McCarthy Blvd. Milpitas, CA 95035 Phone: (408)432-1900 www.linear.com Fax: (408)434-0507 LTC Confidential-For Customer Use Only</p>	
		<p>TITLE: SCHEMATIC</p> <p><b>36V, 500mA STEP-DOWN DC/DC μMODULE</b></p>	
SIZE	IC NO.	REV.	
N/A	<b>LTM8021EV</b>	<b>1</b>	
DATE: Tuesday, April 10, 2012		SHEET 1 OF 1	