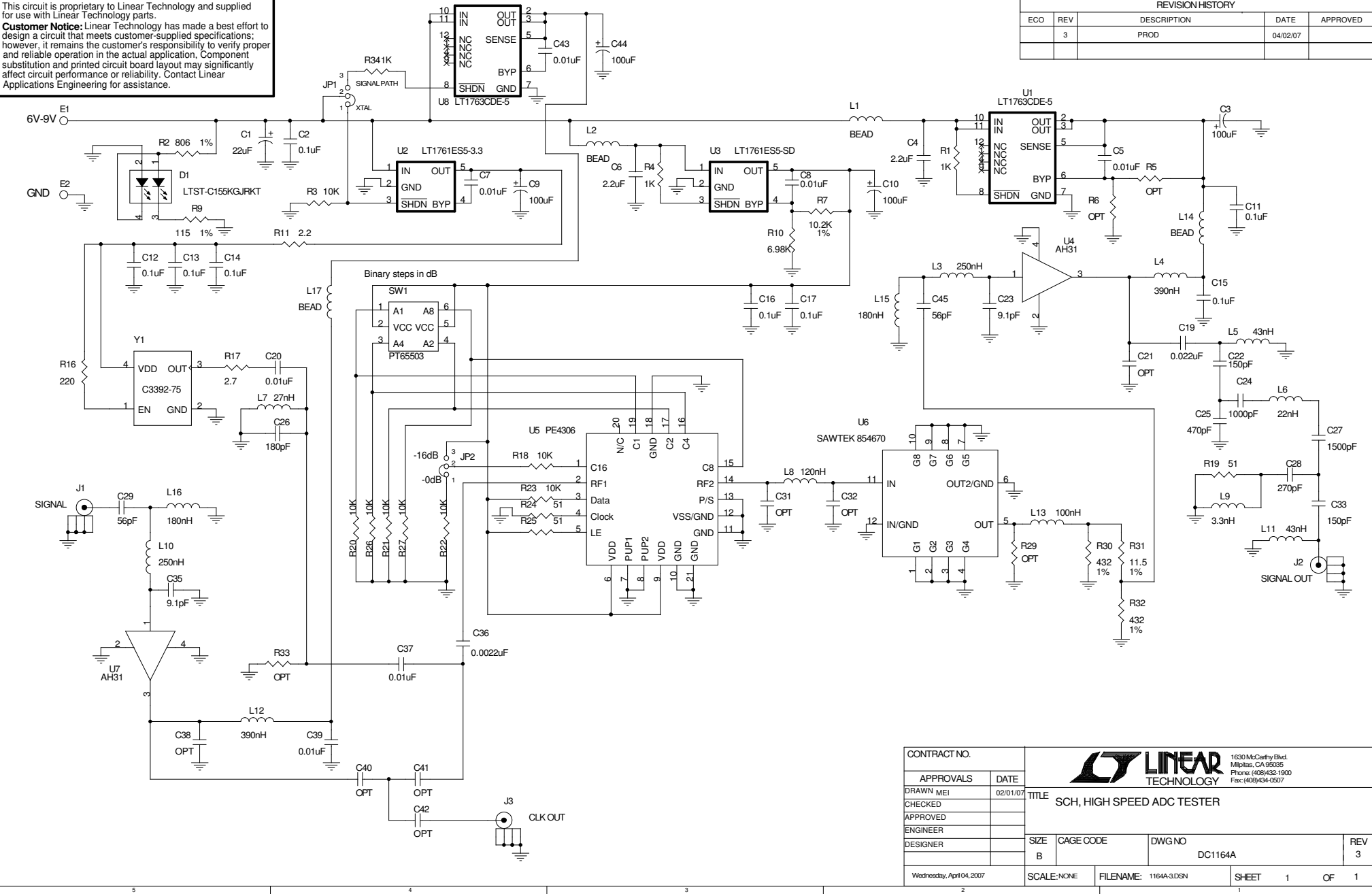



This circuit is proprietary to Linear Technology and supplied for use with Linear Technology parts.  
**Customer Notice:** Linear Technology has made a best effort to design a circuit that meets customer-supplied specifications; however, it remains the customer's responsibility to verify proper and reliable operation in the actual application. Component substitution and printed circuit board layout may significantly affect circuit performance or reliability. Contact Linear Applications Engineering for assistance.

REVISION HISTORY				
ECO	REV	DESCRIPTION	DATE	APPROVED
	3	PROD	04/02/07	



CONTRACT NO.		 <b>LINEAR TECHNOLOGY</b> 1630 McCarthy Blvd. Milpitas, CA 95035 Phone: (408)432-1900 Fax: (408)434-0507	
APPROVALS	DATE		
DRAWN MEI	02/01/07	TITLE SCH, HIGH SPEED ADC TESTER	
CHECKED		SIZE B CAGE CODE DWG NO DC1164A REV 3	
APPROVED		DESIGNER	
ENGINEER		SCALE: NONE FILENAME: 1164A.3.DSN SHEET 1 OF 1	
DESIGNER		Wednesday, April 04, 2007	