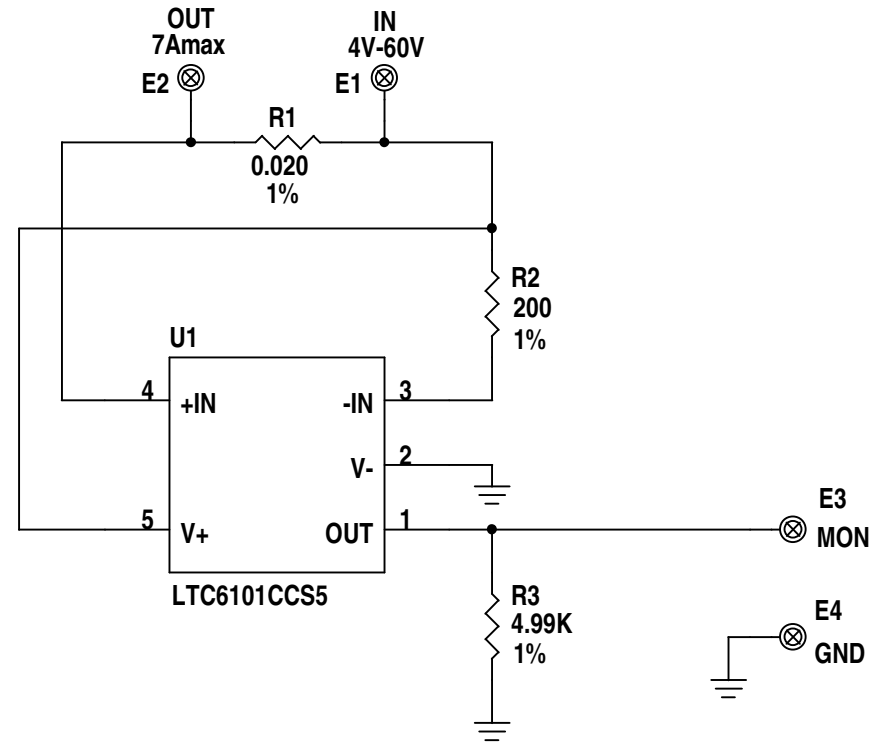


REVISION HISTORY				
ECO	REV	DESCRIPTION	DATE	APPROVED
-	0	1st PROTOTYPE	<DATE>	<APPROVED>



C:\ORCADWIN\CAPTURE\1115A\1115A_REV0.DSN

This circuit is proprietary to Linear Technology and supplied for use with Linear Technology parts.

Customer Notice: Linear Technology has made a best effort to design a circuit that meets customer-supplied specifications; however, it remains the customers responsibility to verify proper and reliable operation in the actual application. Component substitution and printed circuit board layout may significantly affect circuit performance or reliability. Contact Linear Applications Engineering for assistance.

APPROVALS

DRAWN: Rudy Bautista

ENGINEER: Jon Munson

APPROVED:

CHECKED:

DCxxxA_00.PCB xxxA_x.DSN

LINEAR TECHNOLOGY CORPORATION
 1630 McCARTHY BLVD www.linear.com
 MILPITAS, CA. 95035 (408) 432-1900 LTC Confidential -
 (408) 434-0507 (FAX) For Customer Use Only

General Purpose Current Sense Amplifier

Size	Document Number	Rev
	Demo Circuit 1115A	0
Date:	Thursday, September 14, 2006	Sheet 1 of 1