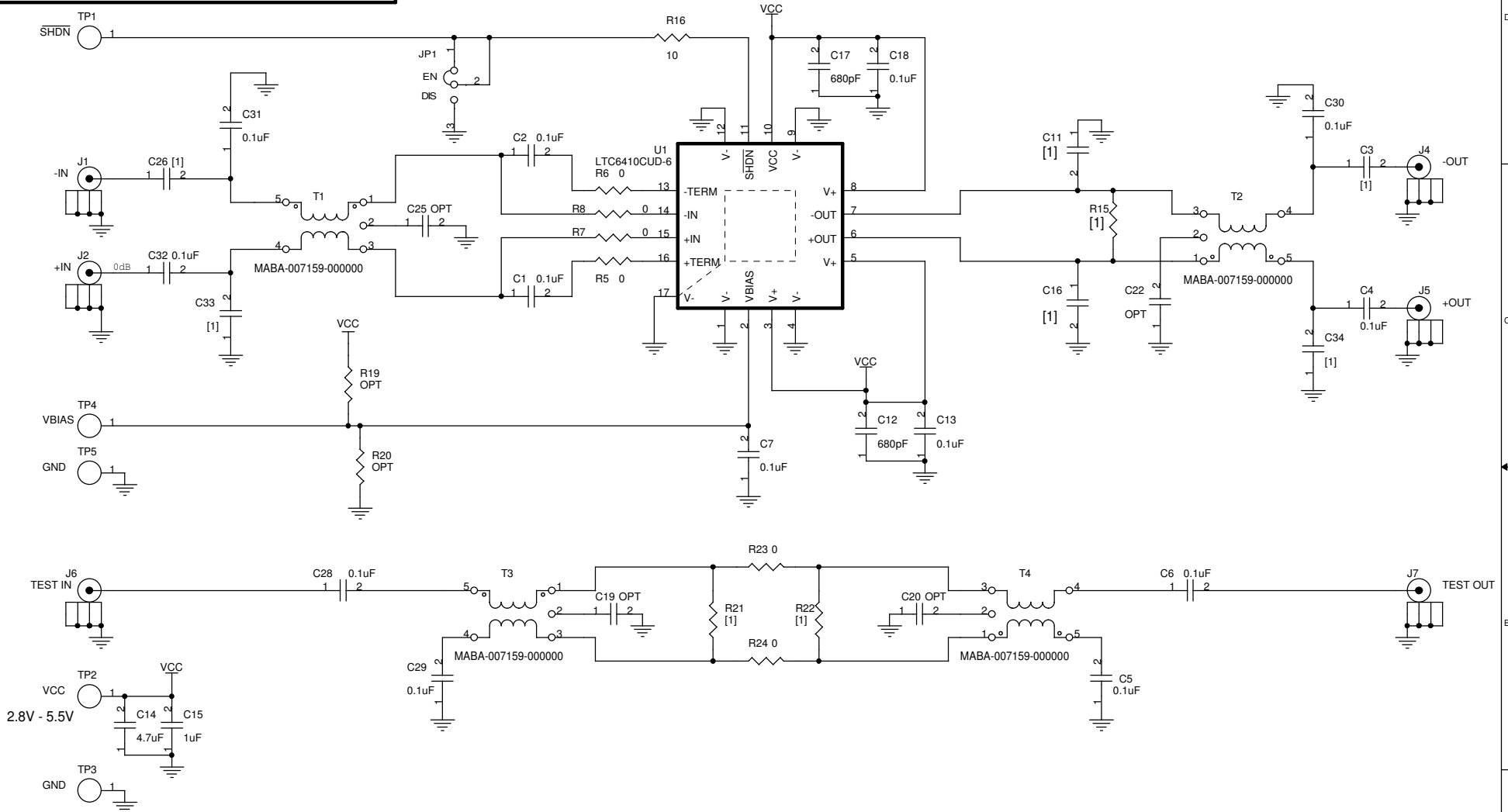

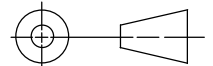


This circuit is proprietary to Linear Technology and supplied for use with Linear Technology parts.  
**Customer Notice:** Linear Technology has made a best effort to design a circuit that meets customer-supplied specifications; however, it remains the customers responsibility to verify proper and reliable operation in the actual application. Component substitution and printed circuit board layout may significantly affect circuit performance or reliability. Contact Linear Applications Engineering for assistance.

REVISION HISTORY				
ECO	REV	DESCRIPTION	DATE	APPROVED
	3	PROD	05/25/07	



NOTES: UNLESS OTHERWISE SPECIFIED,  
 [1] DO NOT STUFF.

UNLESS OTHERWISE SPECIFIED DIMENSIONS ARE IN INCHES TOLERANCE ON ANGLE - - - 2 PLACES - - - 3 PLACES - - - INTERPRET DIM AND TOL PER ASME Y14.5M -1994	CONTRACT NO.		 <b>LINEAR</b> TECHNOLOGY 1630 McCarthy Blvd. Milpitas, CA 95035 Phone: (408)432-1900 Fax: (408)434-0507	TITLE		
	APPROVALS	DATE		SCH, LTC6410CUD-6, IF AMPLIFIER		
	DRAWN MEI	05-25-05		SIZE	CAGE CODE	DWG NO
	CHECKED					DC1103A
THIRD ANGLE PROJECTION	ENGINEER				REV	
	DESIGNER				3	
DO NOT SCALE DRAWING	Friday, May 25, 2007	SCALE: NONE	FILENAME: 1103A-3.dsn	SHEET 1	OF 1	