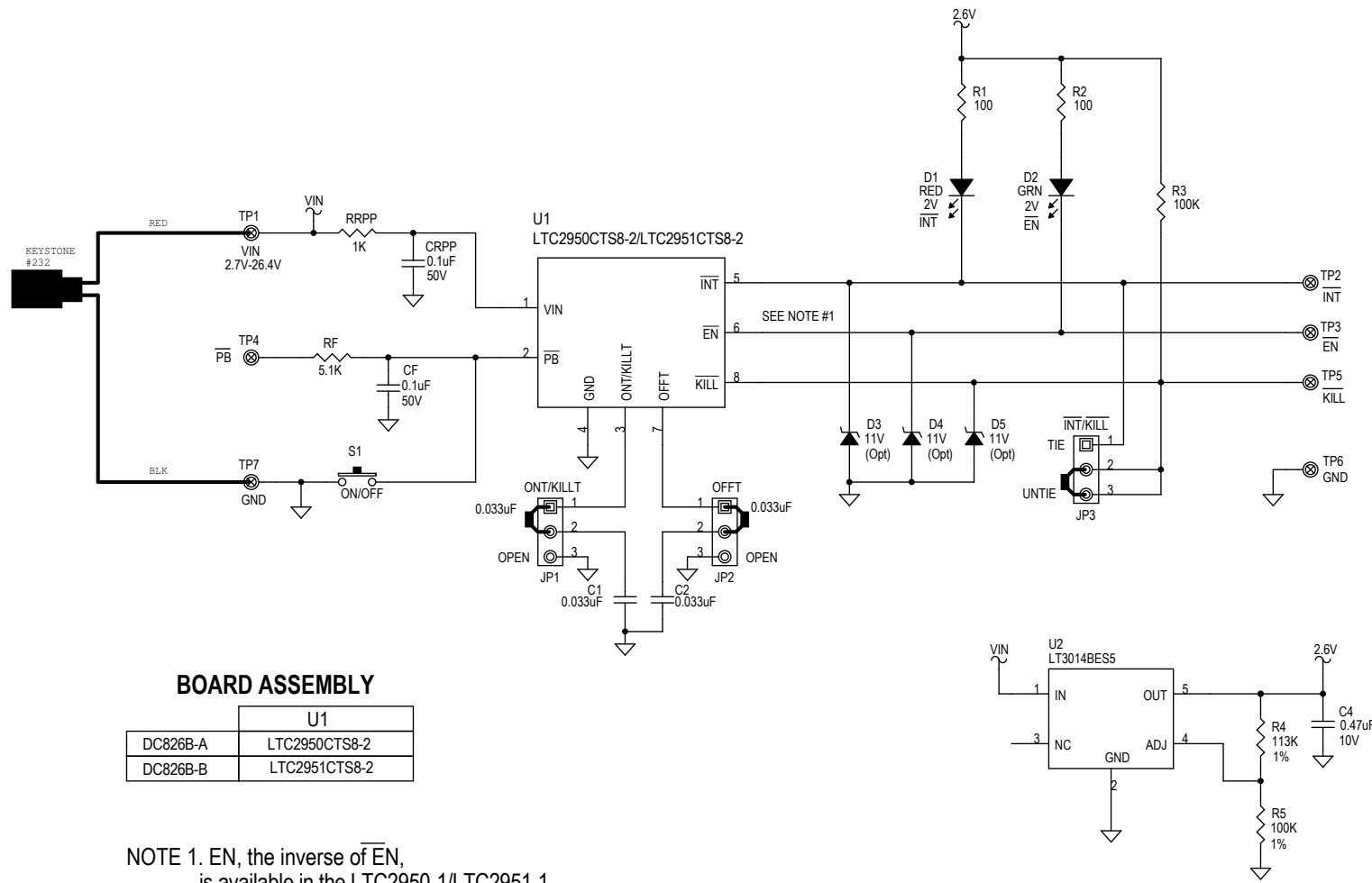


REVISION HISTORY				
ECO	REV	DESCRIPTION	DATE	APPROVED
	0	1st PROTOTYPE	<DATE>	<APPROVED>
	B	SILKSCREEN CHANGE & U2 CHANGE TO LT3014BESS	9/13/06	DILIAN REYES



BOARD ASSEMBLY

	U1
DC826B-A	LTC2950CTS8-2
DC826B-B	LTC2951CTS8-2

NOTE 1. EN, the inverse of $\overline{\text{EN}}$, is available in the LTC2950-1/LTC2951-1.

C:\ORCADWINCAPTURE\ARCHIVE\826A\826B_REV0.DSN

This circuit is proprietary to Linear Technology and supplied for use with Linear Technology parts.
Customer Notice: Linear Technology has made a best effort to design a circuit that meets customer-supplied specifications; however, it remains the customers responsibility to verify proper and reliable operation in the actual application, Component substitution and printed circuit board layout may significantly affect circuit performance or reliability. Contact Linear Applications Engineering for assistance.

APPROVALS	
DRAWN:	Rudy Bautista
ENGINEER:	Dilian Reyes
APPROVED:	
CHECKED:	
DCxxxxA_00.PCB	xxxxA_x.DSN

LINEAR TECHNOLOGY CORPORATION 1630 McCARTHY BLVD MILPITAS, CA. 95035 (408) 432-1900 (408) 434-0507 (FAX)			www.linear.com LTC Confidential - For Customer Use Only
Title: On/Off Controller			
Size	Document Number	Rev	
	Demo Circuit 826B	0	
Date:	Thursday, April 23, 2009	Sheet	1 of 1