

THIS DRAWING IS THE PROPERTY OF ANALOG DEVICES INC. IT IS NOT TO BE REPRODUCED OR COPIED, IN WHOLE OR IN PART, OR USED IN FURNISHING INFORMATION TO OTHERS, OR FOR ANY OTHER PURPOSE DETRIMENTAL TO THE INTERESTS OF ANALOG DEVICES. THE EQUIPMENT SHOWN HEREON MAY BE PROTECTED BY PATENTS OWNED OR CONTROLLED BY ANALOG DEVICES.

RELAY CONTROL CHART

CONTROL	CODE	DEVICE	FUNCTION	CONNECTOR

JUMPER TABLE

JP#	ON	OFF
1		
2		
3		
4		
5		

* SEE ASSEMBLY INSTRUCTIONS

REVISIONS

REV	DESCRIPTION	DATE	APPROVED
A	INITIAL RELEASE	DEC-2016	B. SAM
B	PER ECR-071337	AUG-2017	B. SAM
C	PER ECR-091142	NOV-2019	J. DOBLER
D	PER ECR-092917	JAN-2020	J. DOBLER

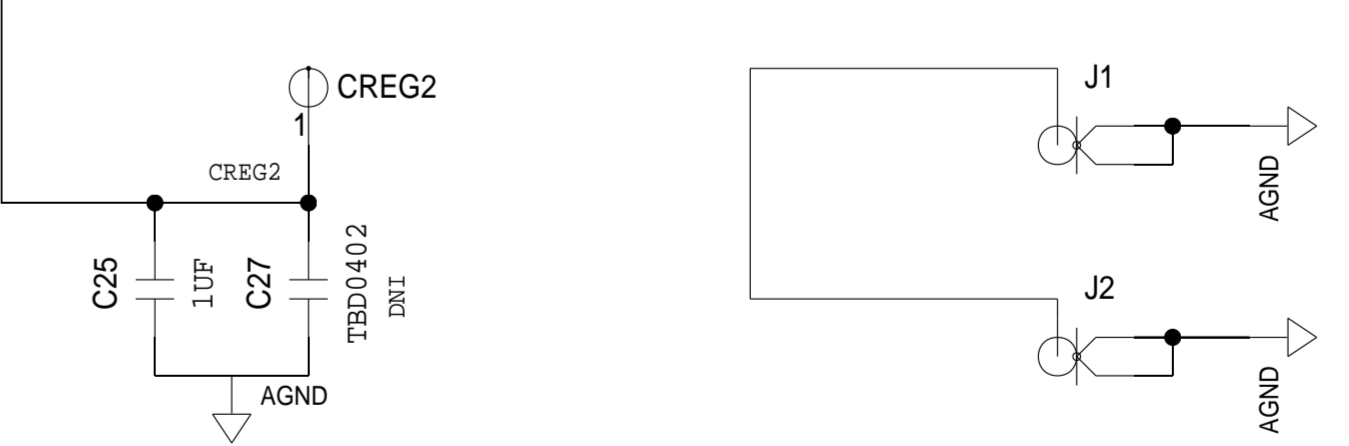
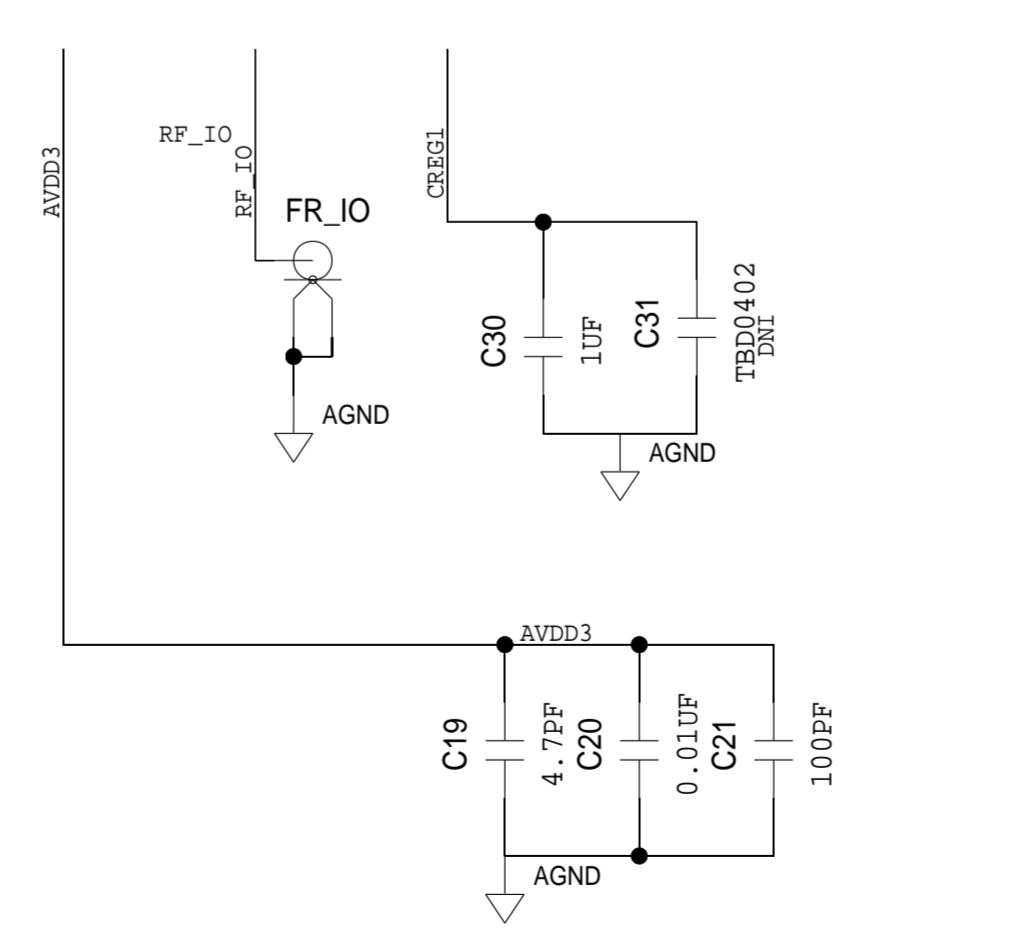
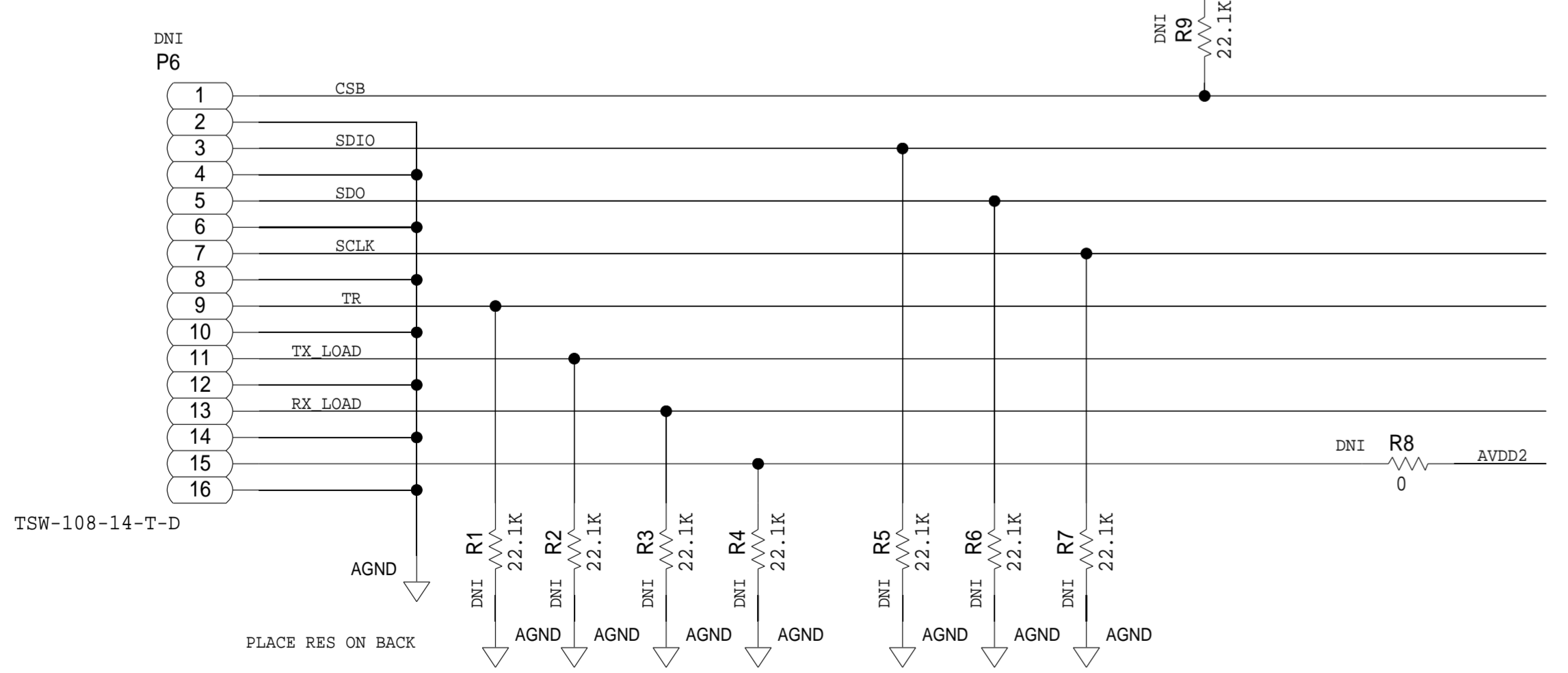
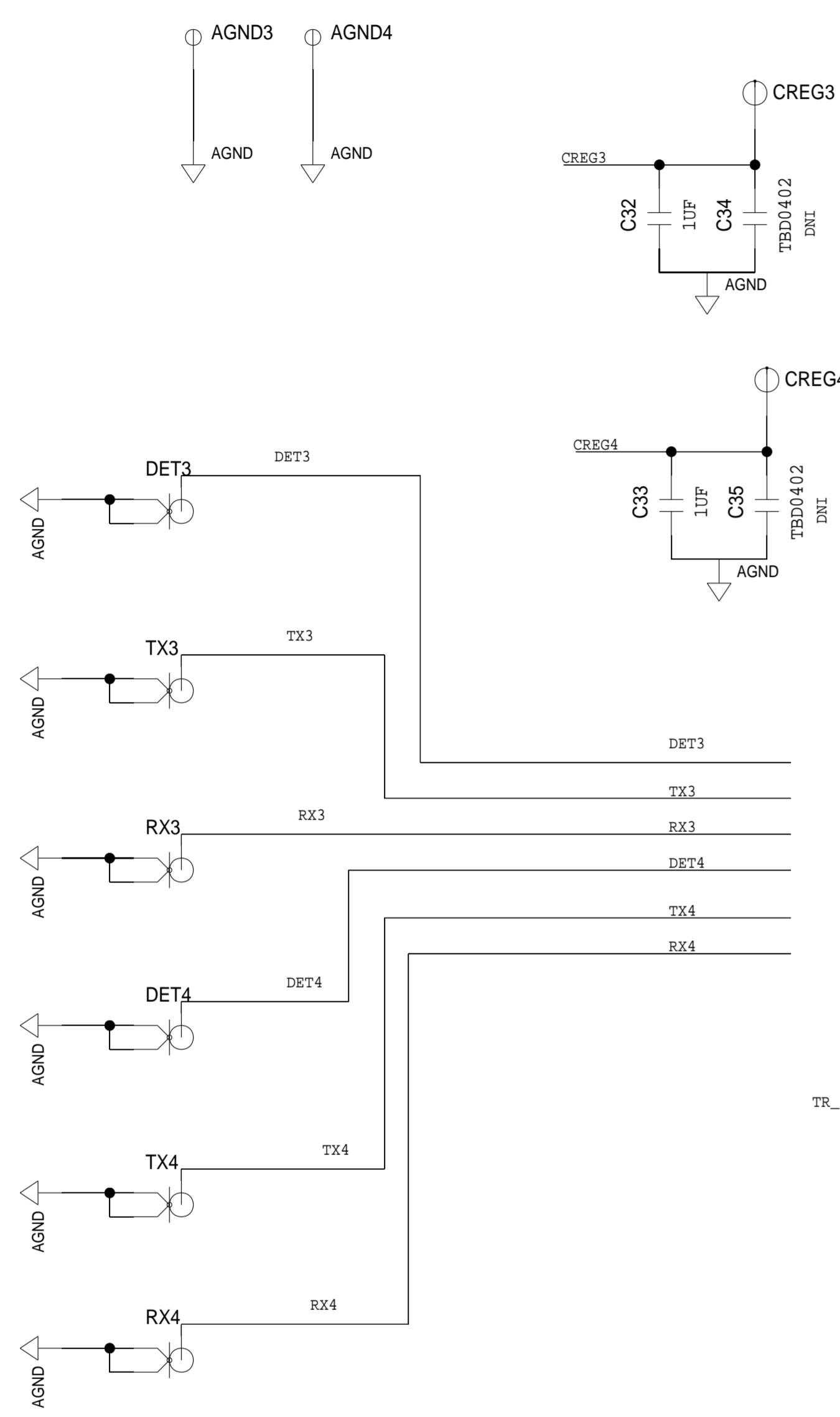
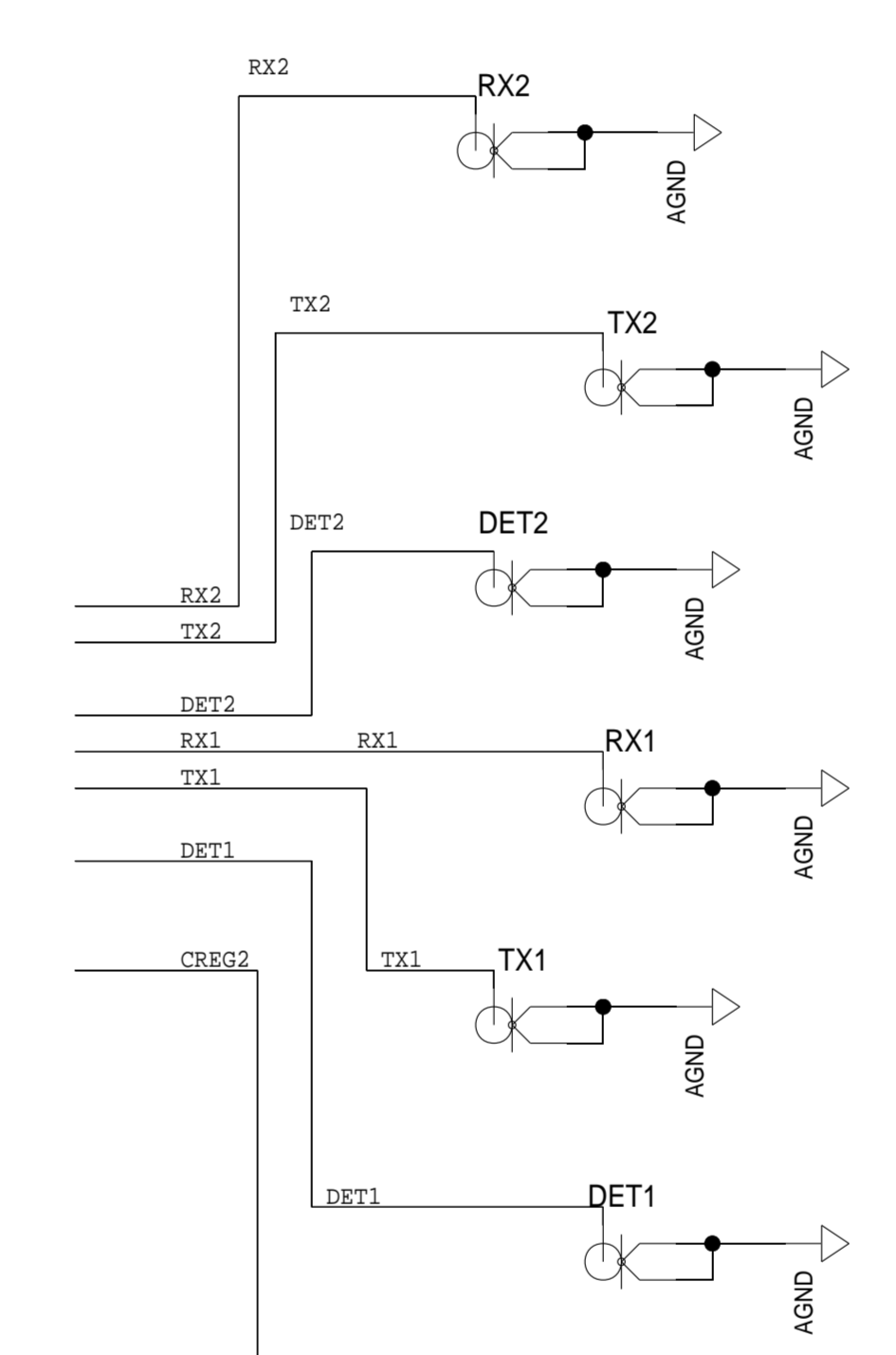
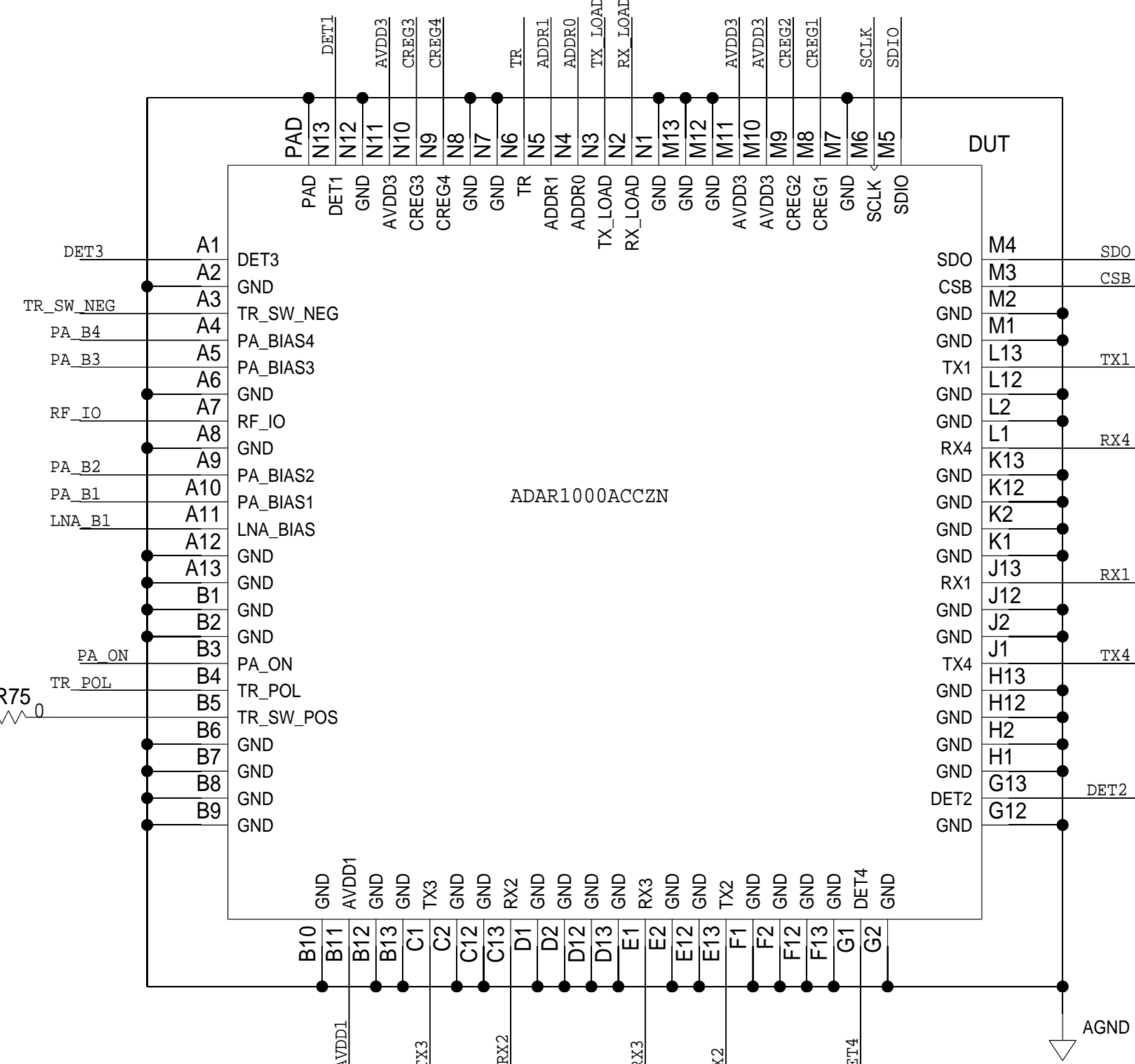
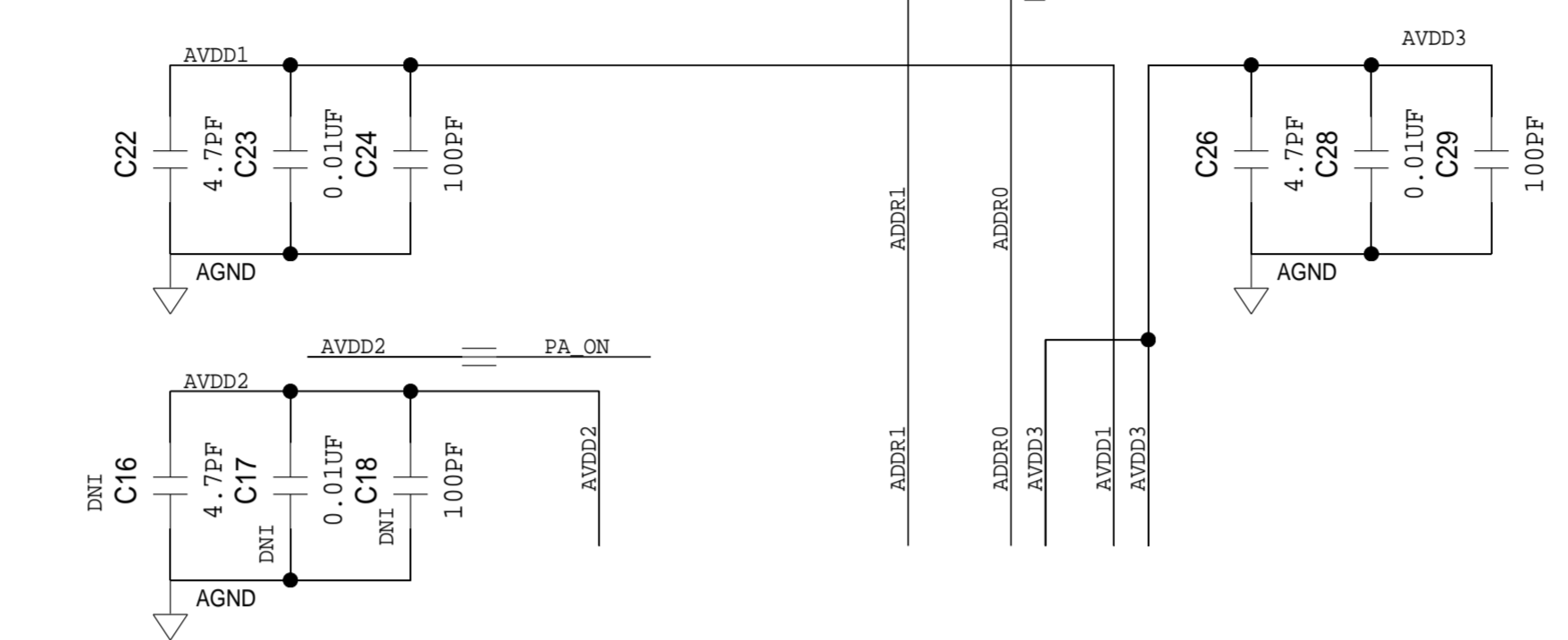
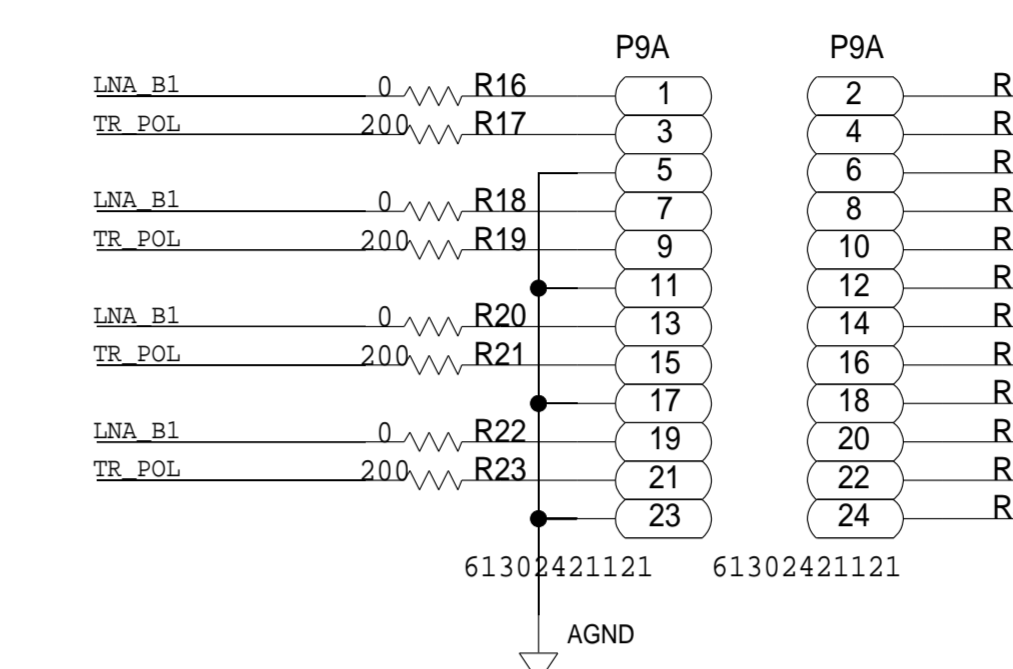
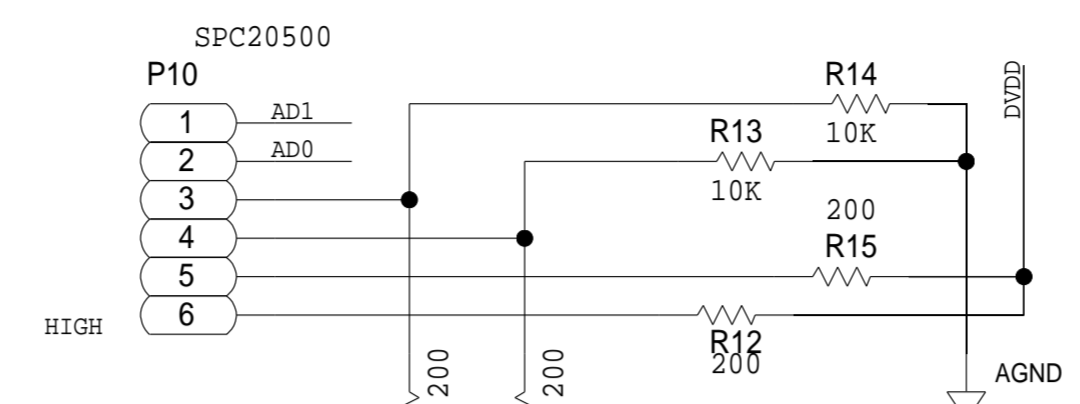
B

A

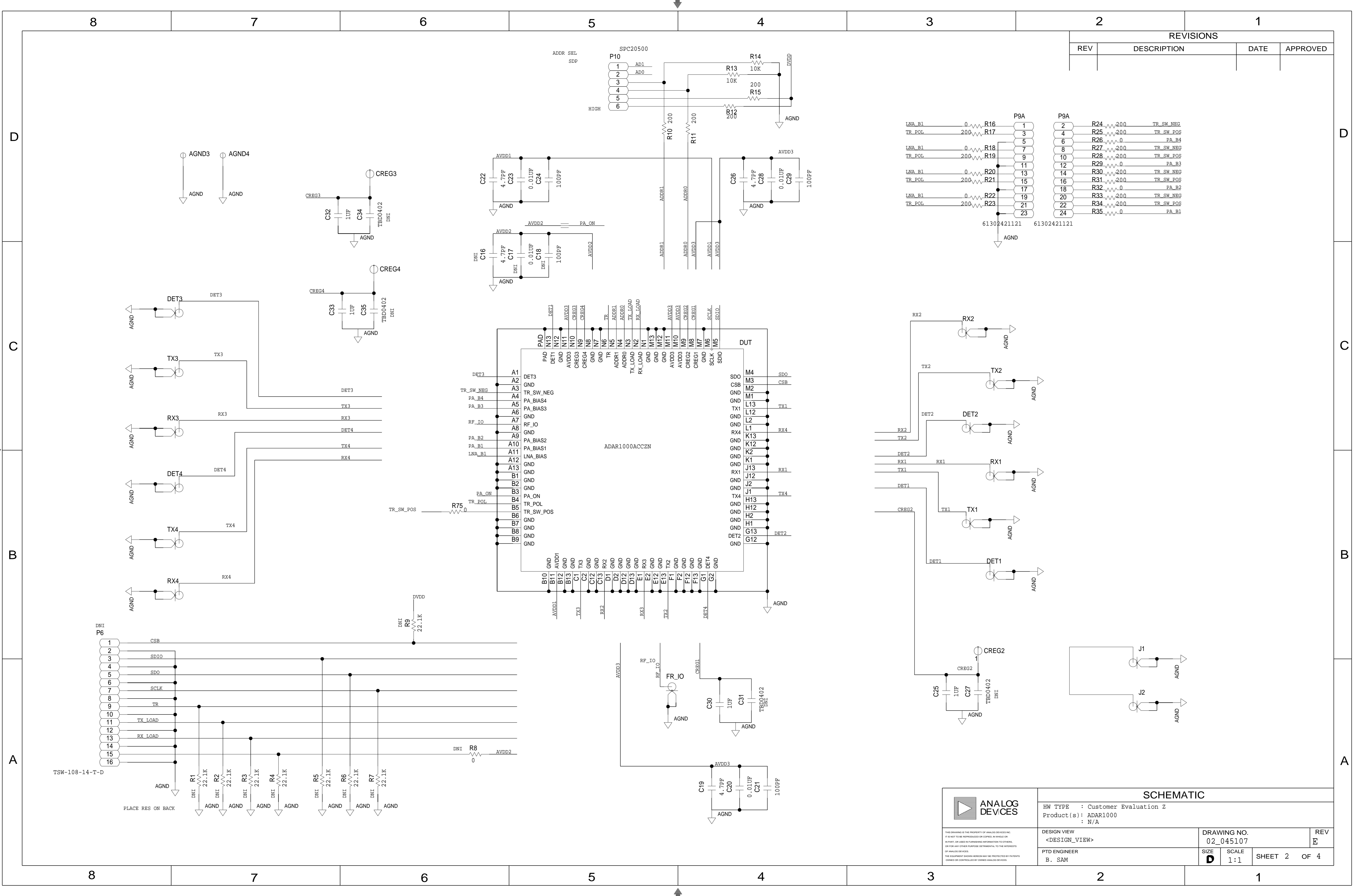
P.O SPEC.	BK/BD SPEC.	SOCKET OEM	OEM PART#	HANDLER

TEMPLATE ENGINEER G. CELEDONIO DEC-2016 HARDWARE SERVICES R. MACDONALD DEC-2016 HARDWARE SYSTEMS NA DEC-2016 TEST ENGINEER B. SAM DEC-2016 COMPONENT ENGINEER A. CAUILAN DEC-2016 TEST PROCESS NA HARDWARE RELEASE R. AMARILLE DEC-2016	SCHEMATIC HW TYPE : Customer Evaluation Z Product(s): ADAR1000 : N/A PACKAGE : 88-lead 7X7X1.0_MM LGA-family : Pitch-pitch StyleVendor Style	MASTER PROJECT TEMPLATE TBD TESTER TEMPLATE no_template DRAWING NO. 02_045107 REV. E
DESIGNER G. AGUIRRI DEC-2016 PTD ENGINEER B. SAM DEC-2016 CHECKER B. SAM DEC-2016	UNLESS OTHERWISE SPECIFIED DIMENSIONS ARE IN INCHES TOLERANCES DECIMALS X.XX +0.010 X.XXX +0.005 FRACTIONS +1/32 ANGLES +2	SIZE D SCALE 1:1 CODE ID NO. CodeID SHEET 1 OF 4

REVISIONS			
REV	DESCRIPTION	DATE	APPROVED



	SCHEMATIC		
	HW TYPE : Customer Evaluation Z Product(s) : ADAR1000 : N/A		
	DESIGN VIEW <DESIGN_VIEW>	DRAWING NO. 02_045107	REV E
	PTD ENGINEER B. SAM	SIZE D 1:1	SHEET 2 OF 4



SDP, LEVEL TRANSLATORS AND RPI/PMOD/ARDUINO INTERFACE

REVISIONS			
REV	DESCRIPTION	DATE	APPROVED

D

C

B

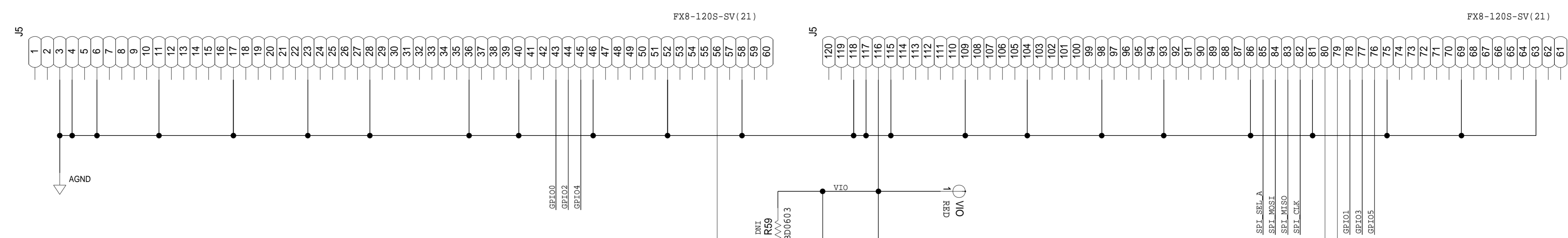
A

D

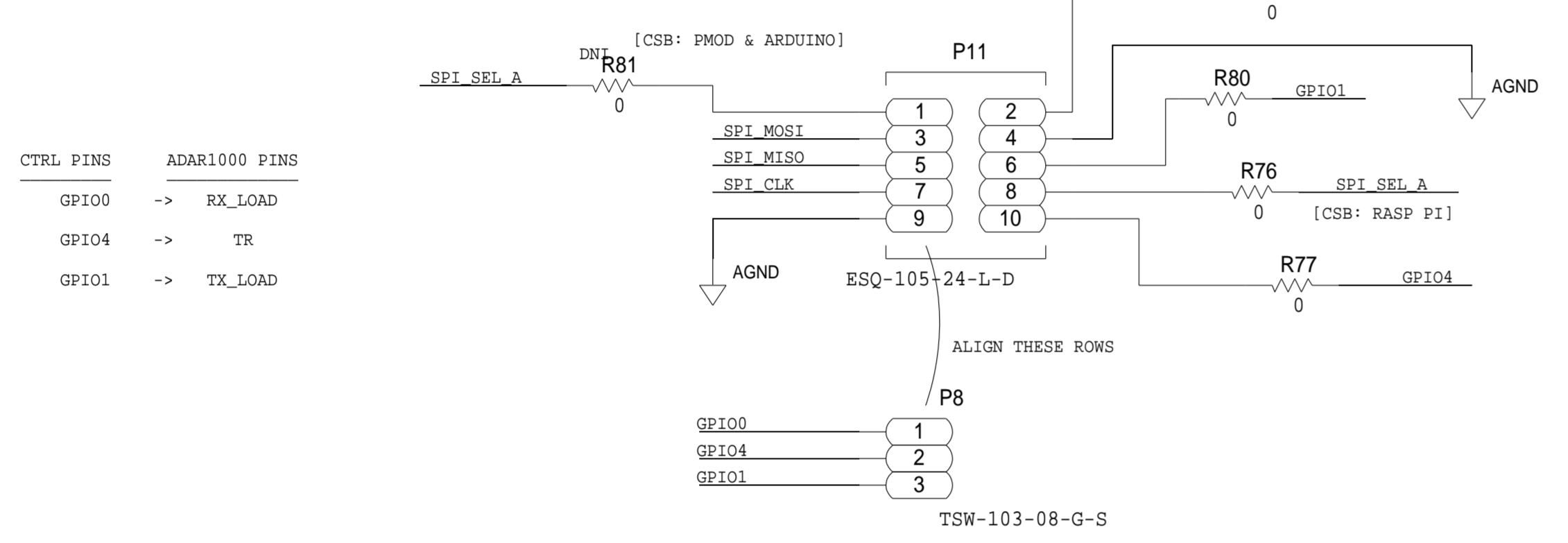
C

B

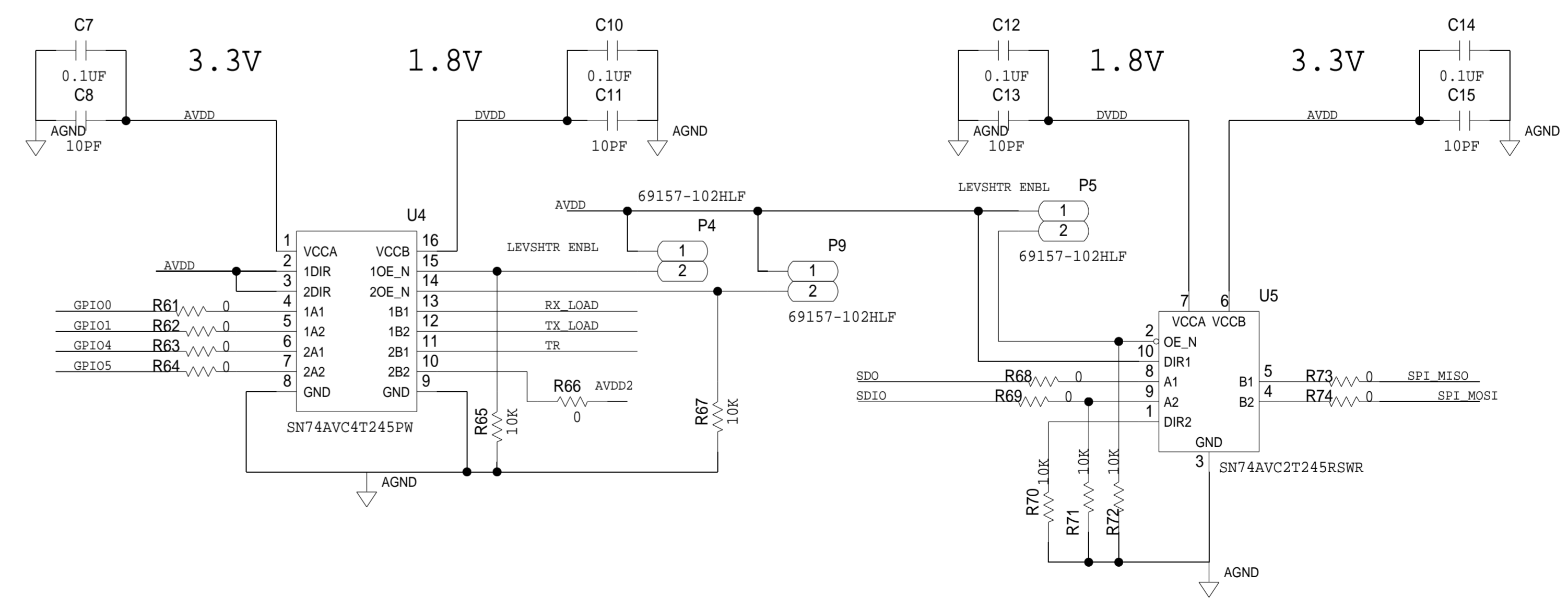
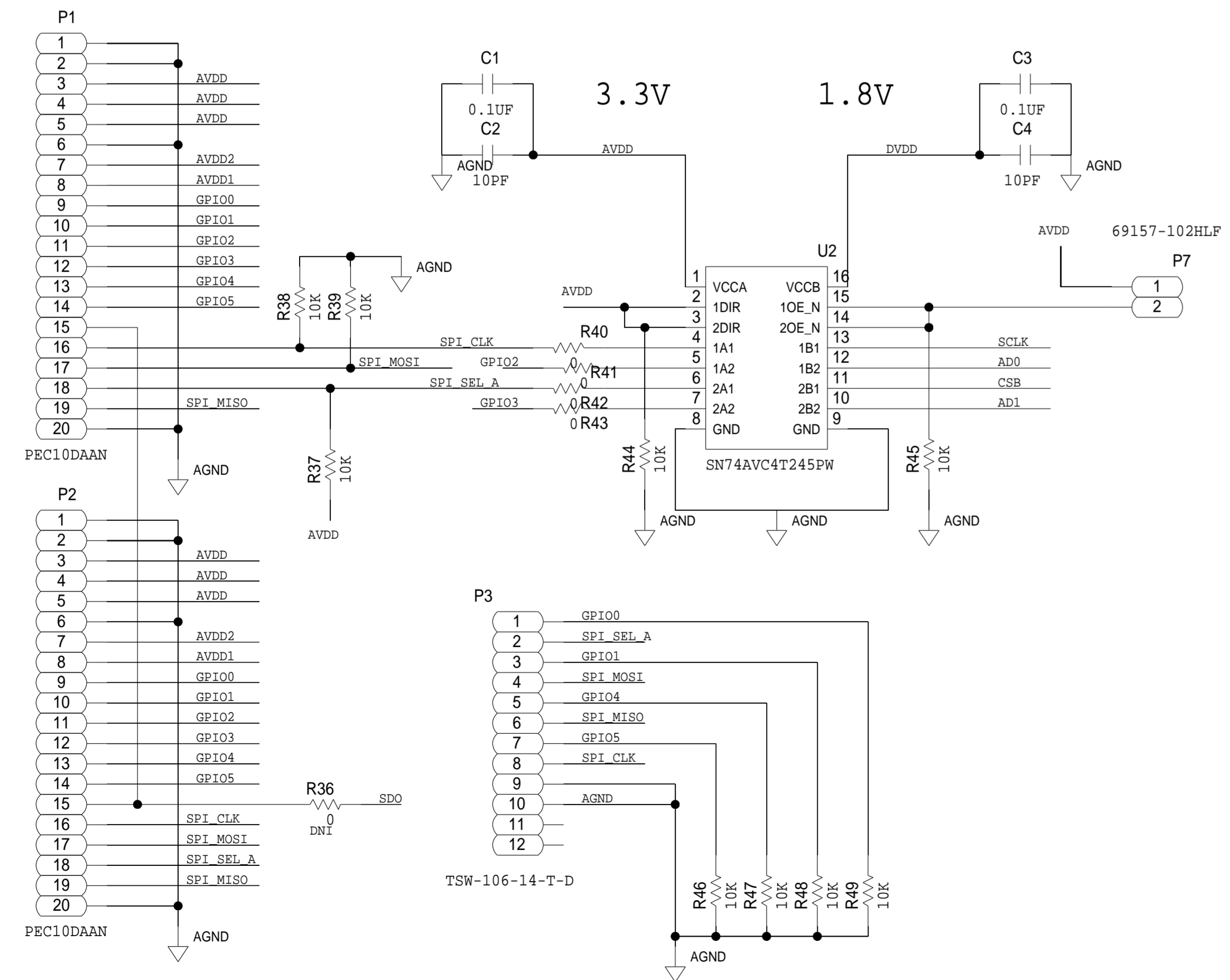
A



RPI/PMOD/ARDUINO INTERFACE



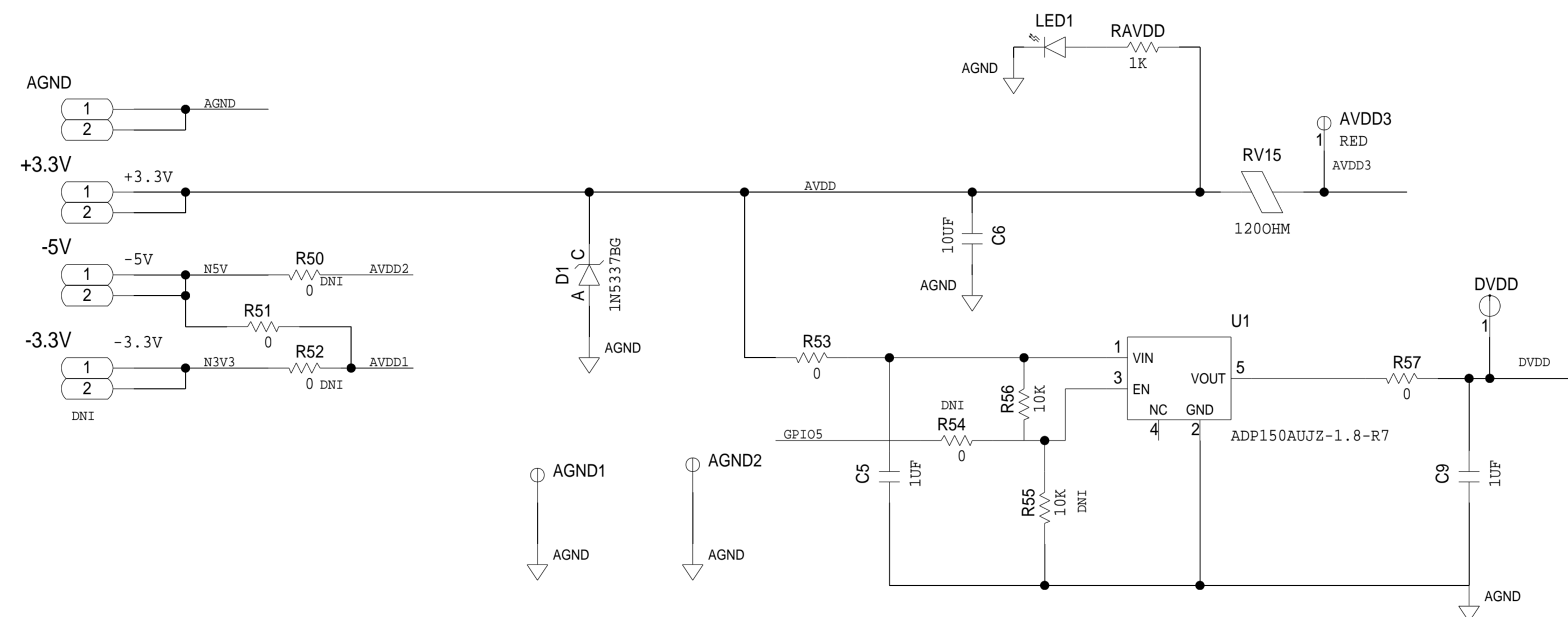
CTRL PINS	ADAR1000 PINS
GPIO0	-> RX_LOAD
GPIO4	-> TR
GPIO1	-> TX_LOAD



	SCHEMATIC		
	HW TYPE : Customer Evaluation Z Product(s) : ADAR1000 : N/A		
	DESIGN VIEW <DESIGN_VIEW>	DRAWING NO. 02_045107	REV E
	PTD ENGINEER B. SAM	SIZE D	SCALE 1:1
SHEET 3 OF 4		SHEET 3 OF 4	

BOARD POWER AND LDO

REVISIONS			
REV	DESCRIPTION	DATE	APPROVED



	SCHEMATIC		
	HW TYPE : Customer Evaluation Z Product(s): ADAR1000 : N/A		
DESIGN VIEW <DESIGN_VIEW>	DRAWING NO. 02_045107	REV E	
PTD ENGINEER B. SAM	SIZE D	SCALE 1:1	SHEET 4 OF 4