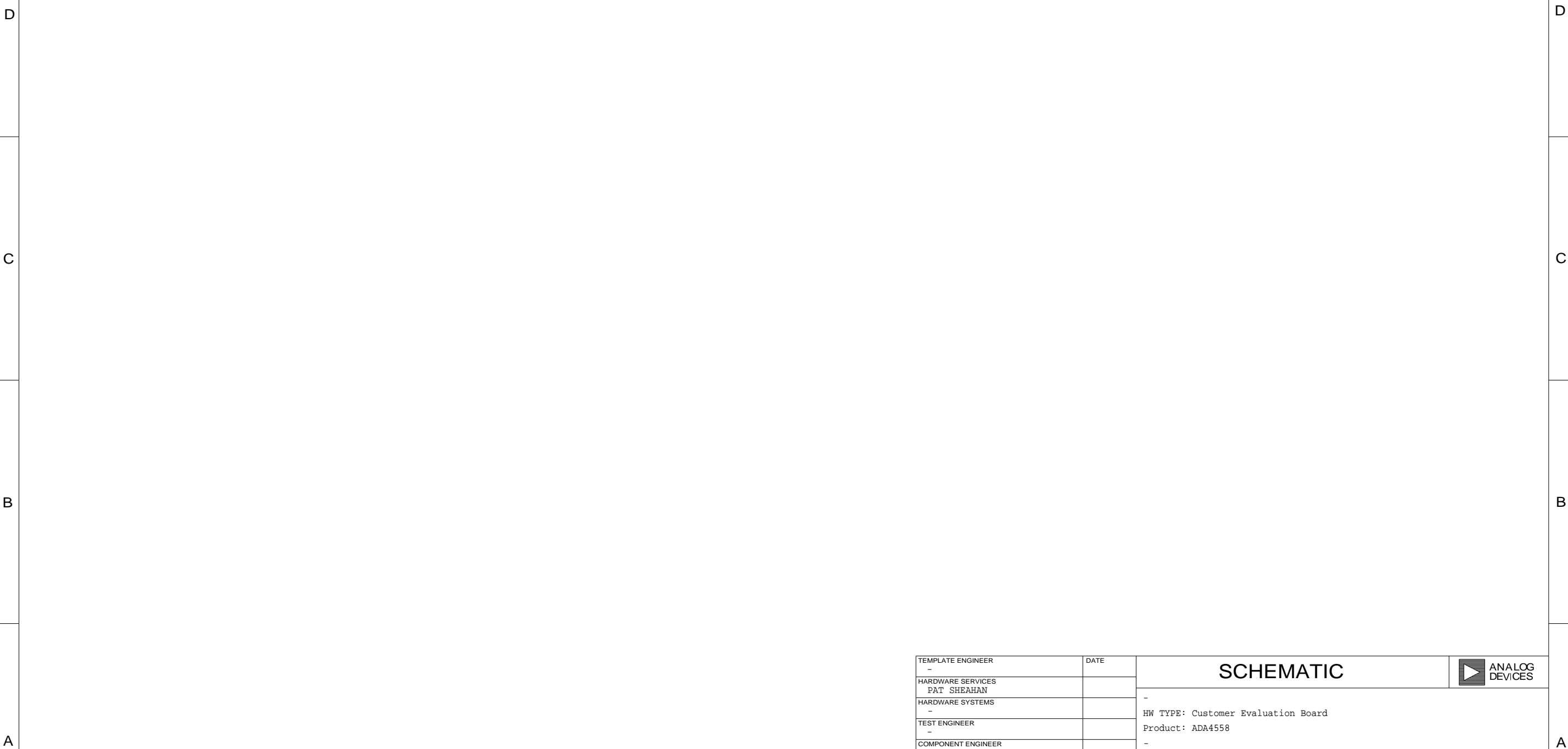


8 7 6 5 4 3 2 1

THIS DRAWING IS THE PROPERTY OF ANALOG DEVICES INC. IT IS NOT TO BE REPRODUCED OR COPIED, IN WHOLE OR IN PART, OR USED IN FURNISHING INFORMATION TO OTHERS, OR FOR ANY OTHER PURPOSE DETRIMENTAL TO THE INTERESTS OF ANALOG DEVICES. THE EQUIPMENT SHOWN HEREON MAY BE PROTECTED BY PATENTS OWNED OR CONTROLLED BY ANALOG DEVICES.

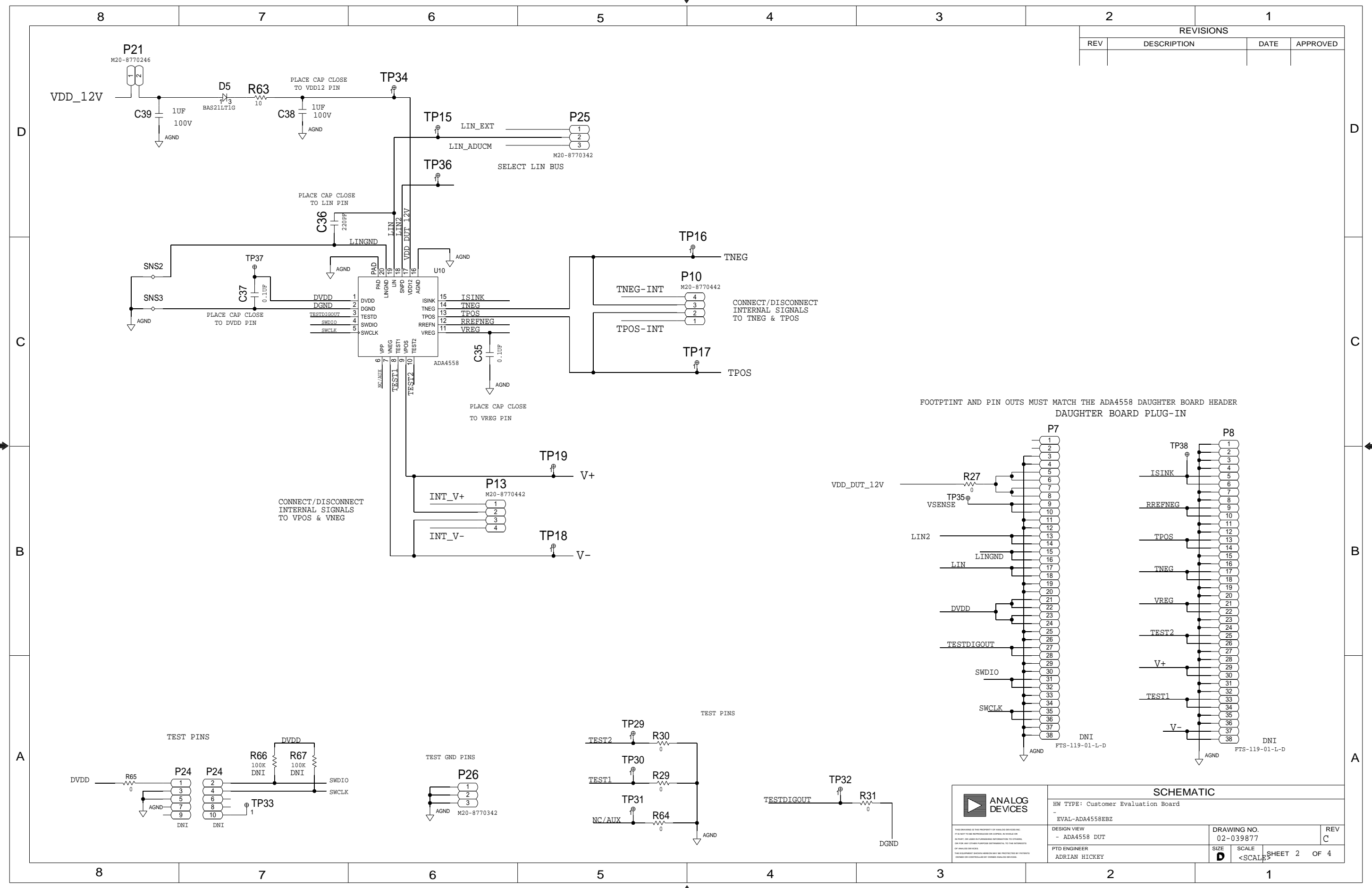
REVISIONS			
REV	DESCRIPTION	DATE	APPROVED
A	INITIAL RELEASE	ADD-2015	P. DRAKER
B		JULY-2018	A. HICKEY



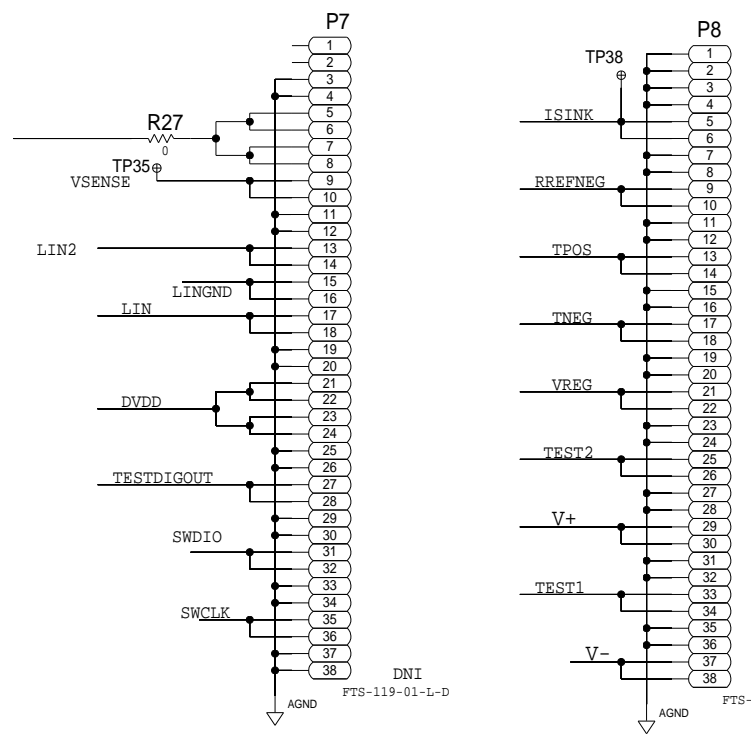
TEMPLATE ENGINEER -	DATE	SCHEMATIC		
HARDWARE SERVICES PAT SHEAHAN				
HARDWARE SYSTEMS -		HW TYPE: Customer Evaluation Board		
TEST ENGINEER -		Product: ADA4558		
COMPONENT ENGINEER -		-		
TEST PROCESS -		EVAL-ADA4558BBZ		
HARDWARE RELEASE -		-		
DESIGNER -		MASTER PROJECT TEMPLATE -	TESTER TEMPLATE -	DRAWING NO. 02-039877
PTD ENGINEER ADRIAN HICKEY	JULY-2018	UNLESS OTHERWISE SPECIFIED DIMENSIONS ARE IN INCHES		REV. C
CHECKER -		TOLERANCES		SHEET 1 OF 4
		DECIMALS X.XX +0.010 X.XXX +0.005	FRACTIONS +1/32	ANGLES +2
		SIZE D	SCALE <SCALE>	CODE ID NO.

8 7 6 5 4 3 2 1

REVISIONS			
REV	DESCRIPTION	DATE	APPROVED

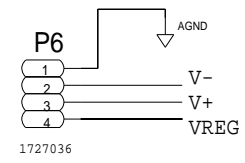


FOOTPRINT AND PIN OUTS MUST MATCH THE ADA4558 DAUGHTER BOARD HEADER
DAUGHTER BOARD PLUG-IN

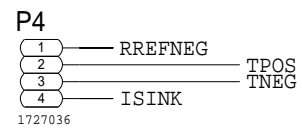


ANALOG DEVICES		SCHEMATIC	
HW TYPE: Customer Evaluation Board			
- EVAL-ADA4558EBZ			
DESIGN VIEW	- ADA4558 DUT	DRAWING NO.	REV
PTD ENGINEER	ADRIAN HICKEY	02-039877	C
SIZE	SCALE	SHEET 2 OF 4	
D	<SCALE>		

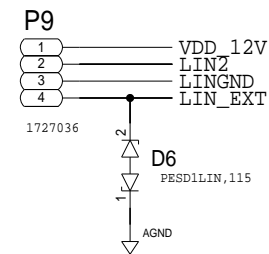
REVISIONS			
REV	DESCRIPTION	DATE	APPROVED



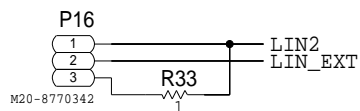
4 PIN SCREW TERMINAL
ALLOWS EXTERNAL PRESSURE SENSOR
TO BE CONNECTED



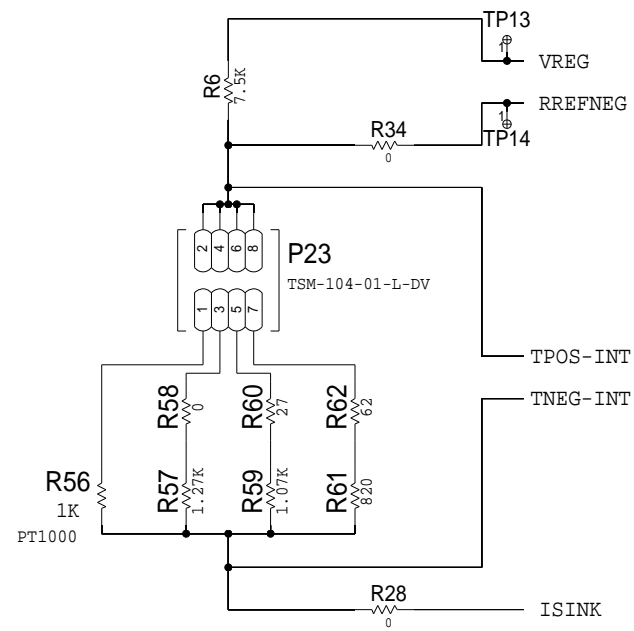
4 PIN SCREW TERMINAL
ALLOWS EXTERNAL TEMP SENSOR
TO BE CONNECTED



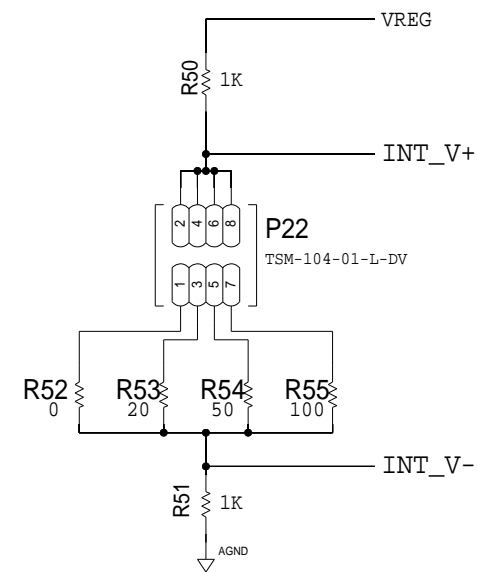
4 PIN SCREW TERMINAL
ALLOWS EXTERNAL LIN BUS
TO BE CONNECTED



3 PIN HEADER
ALLOWS EXTERNAL LIN SNPD BUS
TO BE CONNECTED

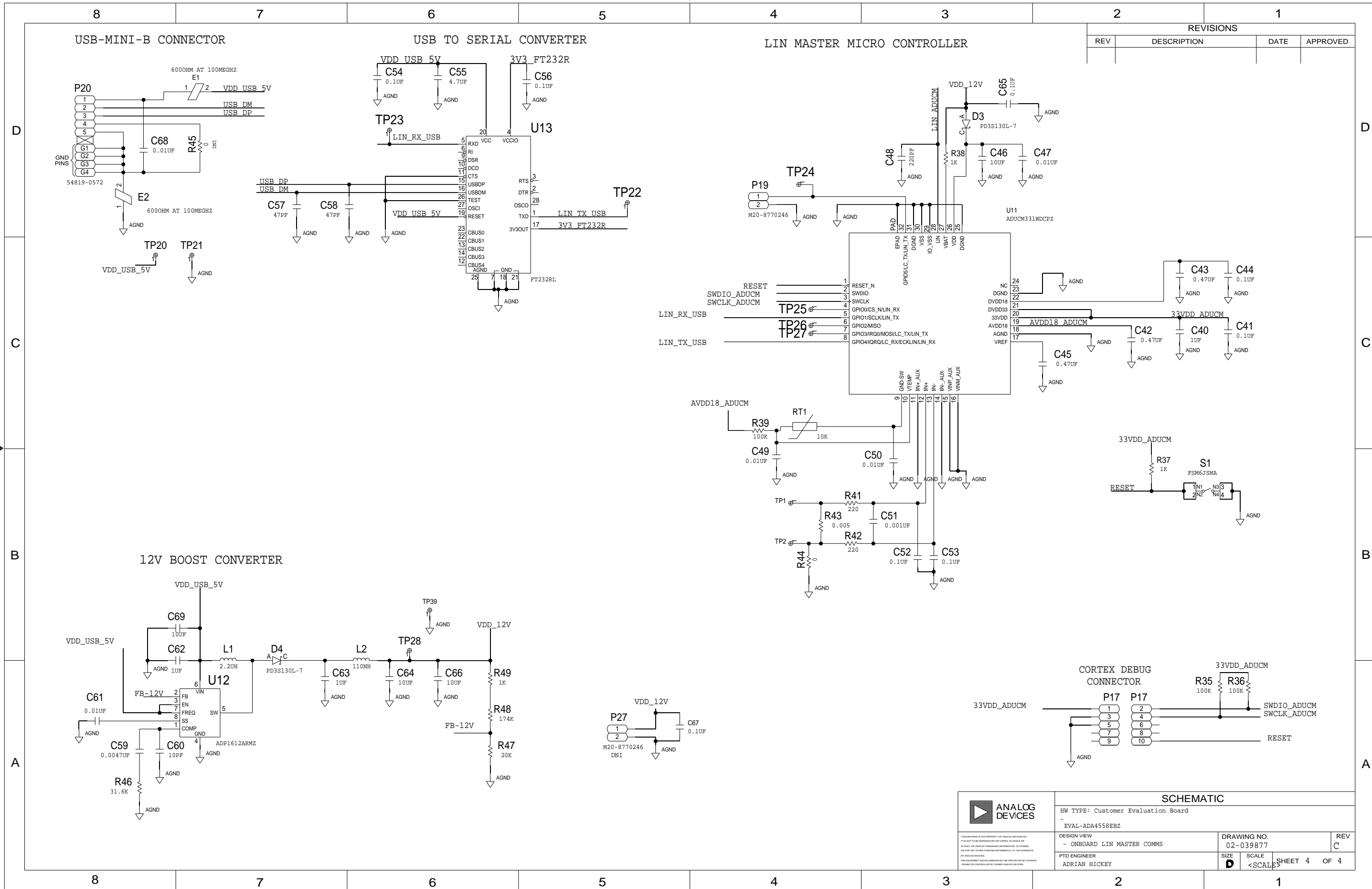


INTERNAL THERMISTOR
VOLTAGE SIGNAL



INTERNAL BRIDGE
VOLTAGE SIGNAL

		SCHEMATIC	
		HW TYPE: Customer Evaluation Board - EVAL-ADA4558EBZ	
<small>THIS DOCUMENT IS THE PROPERTY OF ANALOG DEVICES INC. IT IS LOANED TO YOU AND IS NOT TO BE REPRODUCED OR COPIED, IN WHOLE OR IN PART, OR USED IN ANY MANNER UNAUTHORIZED BY ANALOG DEVICES. FOR ANY OTHER PLANNED DISTRIBUTION TO THE CUSTOMER, CONTACT ANALOG DEVICES. THE EQUIPMENT IDENTIFICATION MAY BE PROTECTED BY PATENTS OWNED OR CONTROLLED BY ANALOG DEVICES.</small>	DESIGN VIEW - PRESSURE, TEMP & LIN I/P	DRAWING NO. 02-039877	REV C
	PTD ENGINEER ADRIAN HICKEY	SIZE D	SCALE <SCALE>



REVISIONS			
REV	DESCRIPTION	DATE	APPROVED

SCHEMATIC			
HW TYPE: Customer Evaluation Board			
EVAL-ADA4558EBZ			
DESIGN VIEW		DRAWING NO.	REV
- ONBOARD LIN MASTER COMMS		02-039877	C
PTD ENGINEER		SIZE	SCALE
ADRIAN HICKEY		D	<SCALE>
		SHEET 4 OF 4	