

General Description

In the DARWIN family, the MAX32672 is an ultra-low-power, cost-effective, highly integrated, and highly reliable 32-bit microcontroller enabling designs with complex sensor processing without compromising battery life. It combines a flexible and versatile power management unit with the powerful Arm® Cortex®-M4 processor with a floating-point unit (FPU). The MAX32672 also offers legacy designs an easy and cost-optimal upgrade path from 8- or 16-bit microcontrollers.

The device integrates 1MB of flash and 200KB of SRAM to accommodate application and sensor code. Error correction coding (ECC) is implemented on the entire flash, RAM, and cache to ensure extremely reliable code execution even in the harshest of environments. Brownout detection ensures proper operation during power-down and power-up events and unexpected supply transients. The flash is organized into two equal-size physical banks to allow execute-while-write and facilitate "live upgrades."

Multiple high-speed peripherals such as 3.4MHz I²C, 50MHz SPI, and UART are included to maximize communication bandwidth. In addition, a low-power UART (LPUART) is available for operation in the lowest power sleep modes to facilitate wake-up activity without any loss of data. A total of six timers with I/O capability are provided, including two low-power timers to enable pulse counting, capture/compare, and pulse-width modulation (PWM) generation, even in the lowest power sleep modes. An incremental/quadrature encoder interface with multiple diagnostics is included specifically for motor control applications. A 1Msps, 12-channel, 12-bit successive approximation register (SAR) ADC is integrated for the digitization of analog sensor signals or other analog measurements. Two low-power comparators, available in all low-power modes, allow energy-efficient monitoring and wake-up on external analog signals. An Elliptic Curve Digital Signature Algorithm (ECDSA)-based cryptographic secure bootloader is available in ROM. The device is available in a 40-pin TQFN-EP, 56-pin TQFN, and a 64-pin eWLB.

Applications

- Motion/Motor Control, Industrial Sensors
- Optical Communication Modules, Secure Radio Modem Controller
- Battery-Powered Medical Devices

Benefits and Features

- High-Efficiency Microcontroller for Low-Power, High-Reliability Devices
 - Arm Cortex-M4 Processor with FPU up to 100MHz
 - 1MB Dual-Bank Flash with Error Correction
 - 200KB SRAM (160KB with ECC Enabled), Optionally Preserved in Lowest Power Modes
 - EEPROM Emulation on Flash
 - 16KB Unified Cache with ECC
 - Resource Protection Unit (RPU) and Memory Protection Unit (MPU)
 - Dual- or Single-Supply Operation, 1.7V to 3.6V
 - Wide Operating Temperature: -40°C to +105°C
- Flexible Clocking Schemes
 - Internal High-Speed 100MHz Oscillator
 - Internal Low-Power 7.3728MHz and Ultra-Low-Power 80kHz Oscillators
 - 16MHz–32MHz Oscillator, 32.768kHz Oscillator (External Crystal Required)
 - External Clock Input for CPU, LPUART, LPTMR
- Power Management Maximizes Uptime for Battery Applications
 - 59.8µA/MHz ACTIVE at 0.9V up to 12MHz (CoreMark®)
 - 56.6µA/MHz ACTIVE at 1.1V up to 100MHz (While(1))
 - 3.09µA Full Memory Retention Power in BACKUP Mode at V_{DD} = 1.8V
 - 350nA Ultra-Low-Power RTC at V_{DD} = 1.8V
 - Wake from LPUART or LPTMR
- Optimal Peripheral Mix Provides Platform Scalability
 - Up to 42 General-Purpose I/O Pins
 - Up to Three SPI (up to 50Mbps)
 - Up to Three 4-Wire UART
 - Up to Three I²C 3.4Mbps High Speed
 - Up to Four 32-Bit Timers (TMR)
 - Up to Two Low-Power 32-Bit Timers (LPTMR)
 - One I²S for Digital Audio Interface
 - 12-Channel, 12-Bit, 1Msps SAR ADC with On-Die Temperature Sensor
- Security and Integrity
 - Optional ECDSA-Based Cryptographic Secure Bootloader in ROM
 - Secure Cryptographic Accelerator for Elliptic Curve
 - AES-128/192/256 Hardware Acceleration Engine

*Arm and Cortex are registered trademarks of Arm Limited (or its subsidiaries) in the US and/or elsewhere.
CoreMark is a registered trademark of EEMBC.*

[Ordering Information](#) appears at end of data sheet.

19-101210; Rev 4; 10/24

© 2024 Analog Devices, Inc. All rights reserved. Trademarks and registered trademarks are the property of their respective owners.

One Analog Way, Wilmington, MA 01887 U.S.A. | Tel: 781.329.4700 | © 2024 Analog Devices, Inc. All rights reserved.

Simplified Block Diagram

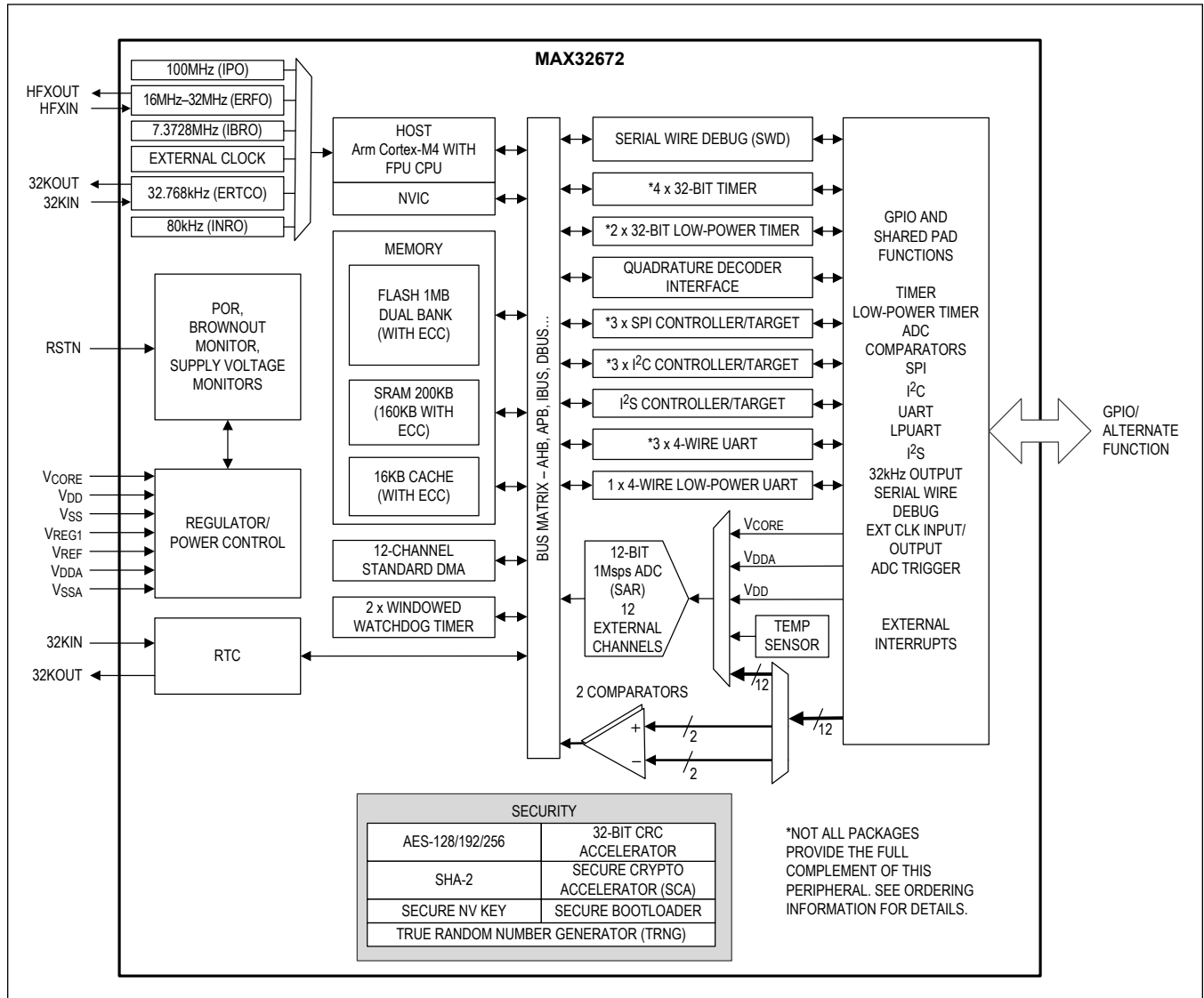


TABLE OF CONTENTS

General Description	1
Applications	1
Benefits and Features	1
Simplified Block Diagram	2
Absolute Maximum Ratings	8
Package Information	8
40 TQFN-EP	8
56 TQFN-EP	8
64 eWLB	9
Electrical Characteristics	9
Electrical Characteristics—SPI	36
Electrical Characteristics—I ² C	37
Electrical Characteristics—I ² S Target	39
Electrical Characteristics—Quadrature Decoder	40
Pin Configuration	45
40 TQFN-EP	45
Pin Description	45
Pin Configuration	50
56 TQFN-EP	50
Pin Description	50
Pin Configuration	56
64 eWLB	56
Pin Description	56
Detailed Description	62
Arm Cortex-M4 Processor with FPU Engine	62
Memory	62
Internal Flash Memory	62
Internal SRAM	62
Clocking Scheme	62
General-Purpose I/O and Special Function Pins	63
Standard DMA Controller	64
Power Management	64
Power Management Unit	64
ACTIVE Mode	64
SLEEP Mode	64
DEEPSLEEP Mode	64
BACKUP Mode	65
STORAGE Mode	65
Real-Time Clock (RTC)	65

TABLE OF CONTENTS (CONTINUED)

Windowed Watchdog Timer (WDT)	66
32-Bit Timer/Counter/PWM (TMR, LPTMR)	66
Serial Peripherals	67
I ² C Interface	67
Serial Peripheral Interface (SPI)	67
I ² S Interface	68
UART	68
Quadrature Decoder	69
Analog-to-Digital Converter (ADC)	69
Security	69
AES	69
Secure Cryptographic Accelerator (SCA)	70
True Random Number Generator (TRNG)	70
CRC Module	70
SHA-2	70
Software Integrity and Root of Trust	70
Root of Trust	70
Secure Communications Protocol Bootloader (SCPBL)	71
Secure Boot	71
Debug and Development Interface	71
Applications Information	72
Bypass Capacitor Recommendations	72
RTC Crystal Guidelines	72
Bootloader Activation	72
Single-Supply Operation	73
ACTIVE Mode	73
SLEEP Mode	73
ACTIVE Mode	74
SLEEP Mode	75
DEEPSLEEP Mode	76
BACKUP Mode	76
STORAGE Mode	77
Dual Supply Operation	77
ACTIVE Mode	77
ACTIVE Mode	77
SLEEP Mode	78
SLEEP Mode	78
ACTIVE Mode	79
ACTIVE Mode	79

TABLE OF CONTENTS (CONTINUED)

SLEEP Mode.....	80
SLEEP Mode.....	80
DEEPSLEEP Mode	81
DEEPSLEEP Mode	81
BACKUP Mode	82
BACKUP Mode	83
STORAGE Mode	84
STORAGE Mode	85
Ordering Information	85
Revision History	86

LIST OF FIGURES

Figure 1. Power Supply Operational Modes	41
Figure 2. SPI Controller Mode Timing Diagram	42
Figure 3. SPI Target Mode Timing Diagram	42
Figure 4. I ² C Timing Diagram	43
Figure 5. I ² S Timing Diagram	43
Figure 6. Quadrature Decoder Timing Diagram	44
Figure 7. Clocking Scheme	63

LIST OF TABLES

Table 1. BACKUP Mode RAM Retention	65
Table 2. MAX32672 Watchdog Timer Instances	66
Table 3. MAX32672 Timer Instances	66
Table 4. MAX32672 I ² C Instances	67
Table 5. MAX32672 SPI Instances	68
Table 6. MAX32672 UART Instances	69
Table 7. Common CRC Polynomials	70
Table 8. MAX32672 Bootloader Characteristics	72
Table 9. Fixed V _{DD} Current Consumption ACTIVE Mode, IPO, Single Supply	73
Table 10. Fixed V _{DD} Current Consumption SLEEP Mode, IPO, Single Supply	73
Table 11. Fixed V _{DD} Current Consumption ACTIVE Mode, IBRO, Single Supply	74
Table 12. Fixed V _{DD} Current Consumption SLEEP Mode, IBRO, Single Supply	75
Table 13. Fixed V _{DD} Current Consumption DEEPSLEEP Mode, Single Supply	76
Table 14. Fixed V _{DD} Current Consumption BACKUP Mode, Single Supply	76
Table 15. Fixed V _{DD} Current Consumption STORAGE Mode, Single Supply	77
Table 16. Fixed V _{CORE} Current Consumption ACTIVE Mode, IPO, Dual Supply	77
Table 17. Fixed V _{DD} Current Consumption ACTIVE Mode, IPO, Dual Supply	77
Table 18. Fixed V _{CORE} Current Consumption SLEEP Mode, IPO, Dual Supply	78
Table 19. Fixed V _{DD} Current Consumption SLEEP Mode, IPO, Dual Supply	78
Table 20. Fixed V _{CORE} Current Consumption ACTIVE Mode, IBRO, Dual Supply	79
Table 21. Fixed V _{DD} Current Consumption ACTIVE Mode, IBRO, Dual Supply	79
Table 22. Fixed V _{CORE} Current Consumption SLEEP Mode, IBRO, Dual Supply	80
Table 23. Fixed V _{DD} Current Consumption SLEEP Mode, IBRO, Dual Supply	80
Table 24. Fixed V _{CORE} Current Consumption DEEPSLEEP Mode, Dual Supply	81
Table 25. Fixed V _{DD} Current Consumption DEEPSLEEP Mode, Dual Supply	81
Table 26. Fixed V _{CORE} Current Consumption BACKUP Mode, Dual Supply	82
Table 27. Fixed V _{DD} Current Consumption BACKUP Mode, Dual Supply	83
Table 28. Fixed V _{CORE} Current Consumption STORAGE Mode, Dual Supply	84
Table 29. Fixed V _{DD} Current Consumption STORAGE Mode, Dual Supply	85

Absolute Maximum Ratings

V _{CORE} , HFXIN, HFXOUT	-0.3V to +1.21V	Continuous Package Power Dissipation 40 TQFN-EP (multilayer board) T _A = +70°C (derate 35.7mW/°C above +70°C).....	2857.10mW
V _{DD} , V _{DDA}	-0.3V to +3.63V	Continuous Package Power Dissipation 56 TQFN-EP (multilayer board) T _A = +70°C (derate 40mW/°C above +70°C).....	3200mW
V _{REF}	-0.3V to V _{DDA} + 0.3V	Continuous Package Power Dissipation 64 eWLB (multilayer board) T _A = +70°C (derate 26.18mW/°C above +70°C).....	2094.24mW
32KIN, 32KOUT	-0.3V to V _{DD} + 0.3V	Operating Temperature Range	-40°C to +105°C
RSTN, GPIO.....	-0.3V to V _{DD} + 0.3V	Storage Temperature Range	-65°C to +125°C
Total Current into All GPIO Combined (sink)	100mA	Soldering Temperature (reflow)	+260°C
V _{SS}	100mA		
Output Current (sink) by Any GPIO Pin.....	25mA		
Output Current (source) by Any GPIO Pin	-25mA		

Note: No device pins can exceed 3.63V. All voltages with respect to V_{SS}, unless otherwise noted.

Stresses beyond those listed under "Absolute Maximum Ratings" may cause permanent damage to the device. These are stress ratings only, and functional operation of the device at these or any other conditions beyond those indicated in the operational sections of the specifications is not implied. Exposure to absolute maximum rating conditions for extended periods may affect device reliability.

Package Information

40 TQFN-EP

Package Code	T4055+1
Outline Number	21-0140
Land Pattern Number	90-0016
Thermal Resistance, Single-Layer Board:	
Junction to Ambient (θ _{JA})	45°C/W
Junction to Case (θ _{JC})	2°C/W
Thermal Resistance, Four-Layer Board:	
Junction to Ambient (θ _{JA})	28°C/W
Junction to Case (θ _{JC})	2°C/W

56 TQFN-EP

Package Code	T5677+1
Outline Number	21-0144
Land Pattern Number	90-0042
Thermal Resistance, Single-Layer Board:	
Junction to Ambient (θ _{JA})	36°C/W
Junction to Case (θ _{JC})	1°C/W
Thermal Resistance, Four-Layer Board:	
Junction to Ambient (θ _{JA})	25°C/W
Junction to Case (θ _{JC})	1°C/W

64 eWLB

Package Code	M643A3+1
Outline Number	21-100728
Land Pattern Number	Refer to Wafer-Level Packaging (WLP) and Its Applications
Thermal Resistance, Four-Layer Board:	
Junction to Ambient (θ_{JA})	38.20°C/W
Junction to Case (θ_{JC})	N/A

For the latest package outline information and land patterns (footprints), go to www.maximintegrated.com/packages. Note that a "+", "#", or "-" in the package code indicates RoHS status only. Package drawings may show a different suffix character, but the drawing pertains to the package regardless of RoHS status.

Package thermal resistances were obtained using the method described in JEDEC specification JESD51-7, using a four-layer board. For detailed information on package thermal considerations, refer to www.maximintegrated.com/thermal-tutorial.

Electrical Characteristics

(All specifications and characteristics apply across the entire operating conditions range unless otherwise noted.)

PARAMETER	SYMBOL	CONDITIONS	MIN	TYP	MAX	UNITS	
POWER / BOTH SINGLE-SUPPLY OPERATION AND DUAL-SUPPLY OPERATION							
Supply Voltage	V_{DD}	Decay time of the V_{DD} supply from $V_{RST}(V_{DD_MIN})$ to 1.47V must be greater than 100 μ s	1.71	1.8	3.63	V	
Supply Voltage, Core	V_{CORE}	Dual-supply operation	OVR = [00]	0.855	0.9	0.945	V
			OVR = [01]	0.95	1.0	1.05	
			Default OVR = [10]	1.045	1.1	1.155	
		No power supply connection for single-supply operation		—			
Supply Voltage, Analog	V_{DDA}	V_{DDA} must be connected to V_{DD}	1.71		3.63	V	
Power-Fail Reset Voltage	V_{RST}	Monitors V_{DD}	1.58		1.71	V	
		Monitors V_{CORE} during dual-supply operation	0.74		0.845		
Power-On Reset Voltage	V_{POR}	Monitors V_{DD}		1.4		V	
		Monitors V_{CORE} during dual-supply operation		0.6			

Electrical Characteristics (continued)

(All specifications and characteristics apply across the entire operating conditions range unless otherwise noted.)

PARAMETER	SYMBOL	CONDITIONS	MIN	TYP	MAX	UNITS
POWER / SINGLE-SUPPLY OPERATION (V_{DD} ONLY); f_{sys_osc} = IPO						
V _{DD} Current ACTIVE Mode	I _{DD_DACTS}	Dynamic, IPO enabled, total current into V _{DD} pin, V _{DD} = 3.3V, CPU in ACTIVE mode, executing CoreMark, ECC disabled, inputs tied to V _{SS} or V _{DD} , outputs source/sink 0mA	OVR = [10], internal regulator set to 1.1V, f _{sys_clk(MAX)} = 100MHz		70	μA/MHz
			OVR = [01], internal regulator set to 1.0V, f _{sys_clk(MAX)} = 50MHz		68.4	
			OVR = [00], internal regulator set to 0.9V, f _{sys_clk(MAX)} = 12MHz		66.8	
		Dynamic, IPO enabled, total current into V _{DD} pin, V _{DD} = 1.8V, CPU in ACTIVE mode, executing CoreMark, ECC disabled, inputs tied to V _{SS} or V _{DD} , outputs source/sink 0mA	OVR = [10], internal regulator set to 1.1V, f _{sys_clk(MAX)} = 100MHz		69.4	
			OVR = [01], internal regulator set to 1.0V, f _{sys_clk(MAX)} = 50MHz		67.5	
			OVR = [00], internal regulator set to 0.9V, f _{sys_clk(MAX)} = 12MHz		65.9	
		Dynamic, IPO enabled, total current into V _{DD} pin, V _{DD} = 3.3V, CPU in ACTIVE mode, executing While(1), ECC disabled, inputs tied to V _{SS} or V _{DD} , outputs source/sink 0mA	OVR = [10], internal regulator set to 1.1V, f _{sys_clk(MAX)} = 100MHz		56.6	
			OVR = [01], internal regulator set to 1.0V, f _{sys_clk(MAX)} = 50MHz		54.3	
			OVR = [00], internal regulator set to 0.9V, f _{sys_clk(MAX)} = 12MHz		53.1	

Electrical Characteristics (continued)

(All specifications and characteristics apply across the entire operating conditions range unless otherwise noted.)

PARAMETER	SYMBOL	CONDITIONS	MIN	TYP	MAX	UNITS
		Dynamic, IPO enabled, total current into V _{DD} pin, V _{DD} = 1.8V, CPU in ACTIVE mode, executing While(1), ECC disabled, inputs tied to V _{SS} or V _{DD} , outputs source/sink 0mA	OVR = [10], internal regulator set to 1.1V, f _{SYS_CLK(MAX)} = 100MHz		56	
			OVR = [01], internal regulator set to 1.0V, f _{SYS_CLK(MAX)} = 50MHz		53.7	
			OVR = [00], internal regulator set to 0.9V, f _{SYS_CLK(MAX)} = 12MHz		52.5	
	I _{DD_FACTS}	Fixed, IPO enabled, total current into V _{DD} pin, V _{DD} = 3.3V, CPU in ACTIVE mode 0MHz execution, ECC disabled, inputs tied to V _{SS} or V _{DD} , outputs source/sink 0mA. See Table 9 for temperature variance.	OVR = [10], internal regulator set to 1.1V		893	
			OVR = [01], internal regulator set to 1.0V		732	
			OVR = [00], internal regulator set to 0.9V		618	
		Fixed, IPO enabled, total current into V _{DD} pin, V _{DD} = 1.8V, CPU in ACTIVE mode 0MHz execution, ECC disabled, inputs tied to V _{SS} or V _{DD} , outputs source/sink 0mA. See Table 9 for temperature variance.	OVR = [10], internal regulator set to 1.1V		865	μA
			OVR = [01], internal regulator set to 1.0V		708	
			OVR = [00], internal regulator set to 0.9V		594	

Electrical Characteristics (continued)

(All specifications and characteristics apply across the entire operating conditions range unless otherwise noted.)

PARAMETER	SYMBOL	CONDITIONS		MIN	TYP	MAX	UNITS
V _{DD} Current SLEEP Mode	I _{DD_DSLPS}	Dynamic, IPO enabled, total current into V _{DD} pin, V _{DD} = 3.3V, CPU in SLEEP mode, ECC disabled, standard DMA with two channels active, inputs tied to V _{SS} or V _{DD} , outputs source/sink 0mA	OVR = [10], internal regulator set to 1.1V, f _{SYS_CLK(MAX)} = 100MHz		44.9		µA/MHz
			OVR = [01], internal regulator set to 1.0V, f _{SYS_CLK(MAX)} = 50MHz		43.6		
			OVR = [00], internal regulator set to 0.9V, f _{SYS_CLK(MAX)} = 12MHz		43.8		
		Dynamic, IPO enabled, total current into V _{DD} pin, V _{DD} = 1.8V, CPU in SLEEP mode, ECC disabled, standard DMA with two channels active, inputs tied to V _{SS} or V _{DD} , outputs source/sink 0mA	OVR = [10], internal regulator set to 1.1V, f _{SYS_CLK(MAX)} = 100MHz		44.7		
			OVR = [01], internal regulator set to 1.0V, f _{SYS_CLK(MAX)} = 50MHz		43.3		
			OVR = [00], internal regulator set to 0.9V, f _{SYS_CLK(MAX)} = 12MHz		43.5		
		Dynamic, IPO enabled, total current into V _{DD} pin, V _{DD} = 3.3V, CPU in SLEEP mode, ECC disabled, DMA disabled, inputs tied to V _{SS} or V _{DD} , outputs source/sink 0mA	OVR = [10], internal regulator set to 1.1V, f _{SYS_CLK(MAX)} = 100MHz		21.4		
			OVR = [01], internal regulator set to 1.0V, f _{SYS_CLK(MAX)} = 50MHz		19.8		
			OVR = [00], internal regulator set to 0.9V, f _{SYS_CLK(MAX)} = 12MHz		19.8		

Electrical Characteristics (continued)

(All specifications and characteristics apply across the entire operating conditions range unless otherwise noted.)

PARAMETER	SYMBOL	CONDITIONS	MIN	TYP	MAX	UNITS	
		Dynamic, IPO enabled, total current into V _{DD} pin, V _{DD} = 1.8V, CPU in SLEEP mode, ECC disabled, DMA disabled, inputs tied to V _{SS} or V _{DD} , outputs source/sink 0mA	OVR = [10], internal regulator set to 1.1V, f _{SYS_CLK(MAX)} = 100MHz		21.4		
			OVR = [01], internal regulator set to 1.0V, f _{SYS_CLK(MAX)} = 50MHz		19.8		
			OVR = [00], internal regulator set to 0.9V, f _{SYS_CLK(MAX)} = 12MHz		19.7		
	I _{DD_FSLPS}	Fixed, IPO enabled, total current into V _{DD} pin, V _{DD} = 3.3V, CPU in SLEEP mode, ECC disabled, inputs tied to V _{SS} or V _{DD} , outputs source/sink 0mA. See Table 10 for temperature variance.	OVR = [10], internal regulator set to 1.1V		893		μA
			OVR = [01], internal regulator set to 1.0V		732		
			OVR = [00], internal regulator set to 0.9V		618		
	Fixed, IPO enabled, total current into V _{DD} pin, V _{DD} = 1.8V, CPU in SLEEP mode, ECC disabled, inputs tied to V _{SS} or V _{DD} , outputs source/sink 0mA. See Table 10 for temperature variance.	OVR = [10], internal regulator set to 1.1V		865			
		OVR = [01], internal regulator set to 1.0V		708			
		OVR = [00], internal regulator set to 0.9V		594			

Electrical Characteristics (continued)

(All specifications and characteristics apply across the entire operating conditions range unless otherwise noted.)

PARAMETER	SYMBOL	CONDITIONS	MIN	TYP	MAX	UNITS
POWER / SINGLE-SUPPLY OPERATION (V_{DD} ONLY); f_{sys_osc} = IBRO						
V _{DD} Current ACTIVE Mode	I _{DD_DACTS}	Dynamic, IBRO enabled, total current into V _{DD} pin, V _{DD} = 3.3V, CPU in ACTIVE mode, executing CoreMark, ECC disabled, inputs tied to V _{SS} or V _{DD} , outputs source/sink 0mA	OVR = [10], internal regulator set to 1.1V, f _{sys_clk(MAX)} = 7.3728MHz		70.8	μA/MHz
			OVR = [01], internal regulator set to 1.0V, f _{sys_clk(MAX)} = 7.3728MHz		68.1	
			OVR = [00], internal regulator set to 0.9V, f _{sys_clk(MAX)} = 7.3728MHz		64.2	
		Dynamic, IBRO enabled, total current into V _{DD} pin, V _{DD} = 1.8V, CPU in ACTIVE mode, executing CoreMark, ECC disabled, inputs tied to V _{SS} or V _{DD} , outputs source/sink 0mA	OVR = [10], internal regulator set to 1.1V, f _{sys_clk(MAX)} = 7.3728MHz		70.1	
			OVR = [01], internal regulator set to 1.0V, f _{sys_clk(MAX)} = 7.3728MHz		67.4	
			OVR = [00], internal regulator set to 0.9V, f _{sys_clk(MAX)} = 7.3728MHz		63.4	
		Dynamic, IBRO enabled, total current into V _{DD} pin, V _{DD} = 3.3V, CPU in ACTIVE mode, executing While(1), ECC disabled, inputs tied to V _{SS} or V _{DD} , outputs source/sink 0mA	OVR = [10], internal regulator set to 1.1V, f _{sys_clk(MAX)} = 7.3728MHz		56.5	
			OVR = [01], internal regulator set to 1.0V, f _{sys_clk(MAX)} = 7.3728MHz		53.5	
			OVR = [00], internal regulator set to 0.9V, f _{sys_clk(MAX)} = 7.3728MHz		50.1	

Electrical Characteristics (continued)

(All specifications and characteristics apply across the entire operating conditions range unless otherwise noted.)

PARAMETER	SYMBOL	CONDITIONS	MIN	TYP	MAX	UNITS	
		Dynamic, IBRO enabled, total current into V _{DD} pin, V _{DD} = 1.8V, CPU in ACTIVE mode, executing While(1), ECC disabled, inputs tied to V _{SS} or V _{DD} , outputs source/sink 0mA	OVR = [10], internal regulator set to 1.1V, f _{SYS_CLK(MAX)} = 7.3728MHz		55.8		
			OVR = [01], internal regulator set to 1.0V, f _{SYS_CLK(MAX)} = 7.3728MHz		52.8		
			OVR = [00], internal regulator set to 0.9V, f _{SYS_CLK(MAX)} = 7.3728MHz		49.4		
	I _{DD_FACTS}	Fixed, IBRO enabled, total current into V _{DD} pin, V _{DD} = 3.3V, CPU in ACTIVE mode 0MHz execution, ECC disabled, inputs tied to V _{SS} or V _{DD} , outputs source/sink 0mA. See Table 11 for temperature variance.	OVR = [10], internal regulator set to 1.1V		446		μA
			OVR = [01], internal regulator set to 1.0V		385		
			OVR = [00], internal regulator set to 0.9V		341		
			OVR = [10], internal regulator set to 1.1V		413		
			OVR = [01], internal regulator set to 1.0V		353		
			OVR = [00], internal regulator set to 0.9V		309		

Electrical Characteristics (continued)

(All specifications and characteristics apply across the entire operating conditions range unless otherwise noted.)

PARAMETER	SYMBOL	CONDITIONS	MIN	TYP	MAX	UNITS		
V _{DD} Current SLEEP Mode	I _{DD_DSLPS}	Dynamic, IBRO enabled, total current into V _{DD} pin, V _{DD} = 3.3V, CPU in SLEEP mode, ECC disabled, standard DMA with two channels active, inputs tied to V _{SS} or V _{DD} , outputs source/sink 0mA	OVR = [10], internal regulator set to 1.1V, f _{SYS_CLK(MAX)} = 7.3728MHz		44		µA/MHz	
			OVR = [01], internal regulator set to 1.0V, f _{SYS_CLK(MAX)} = 7.3728MHz		42.6			
			OVR = [00], internal regulator set to 0.9V, f _{SYS_CLK(MAX)} = 7.3728MHz		40.9			
		Dynamic, IBRO enabled, total current into V _{DD} pin, V _{DD} = 1.8V, CPU in SLEEP mode, ECC disabled, standard DMA with two channels active, inputs tied to V _{SS} or V _{DD} , outputs source/sink 0mA	OVR = [10], internal regulator set to 1.1V, f _{SYS_CLK(MAX)} = 7.3728MHz		43.8			
			OVR = [01], internal regulator set to 1.0V, f _{SYS_CLK(MAX)} = 7.3728MHz		42.4			
			OVR = [00], internal regulator set to 0.9V, f _{SYS_CLK(MAX)} = 7.3728MHz		40.6			
		Dynamic, IBRO enabled, total current into V _{DD} pin, V _{DD} = 3.3V, CPU in SLEEP mode, ECC disabled, DMA disabled, inputs tied to V _{SS} or V _{DD} , outputs source/sink 0mA	OVR = [10], internal regulator set to 1.1V, f _{SYS_CLK(MAX)} = 7.3728MHz		20.6			
			OVR = [01], internal regulator set to 1.0V, f _{SYS_CLK(MAX)} = 7.3728MHz		19.1			
			OVR = [00], internal regulator set to 0.9V, f _{SYS_CLK(MAX)} = 7.3728MHz		17.2			

Electrical Characteristics (continued)

(All specifications and characteristics apply across the entire operating conditions range unless otherwise noted.)

PARAMETER	SYMBOL	CONDITIONS	MIN	TYP	MAX	UNITS	
		Dynamic, IBRO enabled, total current into V_{DD} pin, $V_{DD} = 1.8V$, CPU in SLEEP mode, ECC disabled, DMA disabled, inputs tied to V_{SS} or V_{DD} , outputs source/sink 0mA	OVR = [10], internal regulator set to 1.1V, $f_{SYS_CLK(MAX)} = 7.3728MHz$		20.6		
			OVR = [01], internal regulator set to 1.0V, $f_{SYS_CLK(MAX)} = 7.3728MHz$		19.1		
			OVR = [00], internal regulator set to 0.9V, $f_{SYS_CLK(MAX)} = 7.3728MHz$		17.1		
	I_{DD_FSLPS}	Fixed, IBRO enabled, total current into V_{DD} pin, $V_{DD} = 3.3V$, CPU in SLEEP mode, ECC disabled, inputs tied to V_{SS} or V_{DD} , outputs source/sink 0mA. See Table 12 for temperature variance.	OVR = [10], internal regulator set to 1.1V		446		μA
			OVR = [01], internal regulator set to 1.0V		385		
			OVR = [00], internal regulator set to 0.9V		341		
			OVR = [10], internal regulator set to 1.1V		413		
			OVR = [01], internal regulator set to 1.0V		353		
			OVR = [00], internal regulator set to 0.9V		309		
POWER / SINGLE-SUPPLY OPERATION (V_{DD} ONLY)							
V_{DD} Fixed Current, DEEPSLEEP Mode	I_{DD_FDLSLS}	Standby state with full data retention and 200KB SRAM retained. See Table 13 for temperature variance.	$V_{DD} = 3.3V$		5.3	μA	
			$V_{DD} = 1.8V$		5		

Electrical Characteristics (continued)

(All specifications and characteristics apply across the entire operating conditions range unless otherwise noted.)

PARAMETER	SYMBOL	CONDITIONS	MIN	TYP	MAX	UNITS
V_{DD} Fixed Current, BACKUP Mode	I_{DD_FBKUS}	$V_{DD} = 3.3V$, RTC disabled. See Table 14 for temperature variance.	0KB SRAM retained, retention regulator disabled		0.35	μA
			20KB SRAM retained		1.14	
			40KB SRAM retained		1.56	
			120KB SRAM retained		2.69	
			200KB SRAM retained		3.78	
		$V_{DD} = 1.8V$, RTC disabled. See Table 14 for temperature variance.	0KB SRAM retained, retention regulator disabled		0.08	
			20KB SRAM retained		0.86	
			40KB SRAM retained		1.3	
			120KB SRAM retained		2.4	
			200KB SRAM retained		3.5	
V_{DD} Fixed Current, STORAGE Mode	I_{DD_FSTOS}	See Table 15 for temperature variance.	$V_{DD} = 3.3V$		0.34	μA
			$V_{DD} = 1.8V$		0.083	
POWER / SINGLE-SUPPLY OPERATION (V_{DD} ONLY) RESUME TIMES						
SLEEP Mode Resume Time	t_{SLP_ONS}	$f_{SYS_OSC} = IPO$			0.1	μs
		$f_{SYS_OSC} = IBRO$			1.1	
DEEPSLEEP Mode Resume Time	t_{DSL_ONS}	$f_{SYS_OSC} = IPO$	fast_wk_en = 1		74	μs
			fast_wk_en = 0		210	
		$f_{SYS_OSC} = IBRO$	fast_wk_en = 1		182	μs
			fast_wk_en = 0		319	
BACKUP Mode Resume Time	t_{BKU_ONS}	Time from power mode exit to execution of application code	Parts without SCPBL		1.08	ms
			Parts with SCPBL performing signature verification over 512KB of flash		264	
STORAGE Mode Resume Time	t_{STO_ONS}	Time from power mode exit to execution of application code	Parts without SCPBL		1.08	ms
			Parts with SCPBL performing signature verification over 512KB of flash		264	

Electrical Characteristics (continued)

(All specifications and characteristics apply across the entire operating conditions range unless otherwise noted.)

PARAMETER	SYMBOL	CONDITIONS		MIN	TYP	MAX	UNITS
Cold Boot Startup Time	t_{CB_STS}	Time from $V_{DD} = V_{DD(MIN)}$ to execution of application code	Parts without SCPBL		1.08		ms
			Parts with SCPBL performing signature verification over 512KB of flash			264	
POWER / DUAL-SUPPLY OPERATION (V_{DD} AND V_{CORE}): $f_{SYS_OSC} = IPO$							
V_{CORE} Current, ACTIVE Mode	I_{CORE_DACTD}	Dynamic, IPO enabled, total current into V_{CORE} pin, CPU in ACTIVE mode, executing CoreMark, ECC disabled, inputs tied to V_{SS} or V_{DD} , outputs source/sink 0mA	OVR = [10], $V_{CORE} = 1.1V$, $f_{SYS_CLK(MAX)} = 100MHz$		69		$\mu A/MHz$
			OVR = [01], $V_{CORE} = 1.0V$, $f_{SYS_CLK(MAX)} = 50MHz$		67		
			OVR = [00], $V_{CORE} = 0.9V$, $f_{SYS_CLK(MAX)} = 12MHz$		59.8		
		Dynamic, IPO enabled, total current into V_{CORE} pin, CPU in ACTIVE mode, executing While(1), ECC disabled, inputs tied to V_{SS} or V_{DD} , outputs source/sink 0mA	OVR = [10], $V_{CORE} = 1.1V$, $f_{SYS_CLK(MAX)} = 100MHz$		55.5		
			OVR = [01], $V_{CORE} = 1.0V$, $f_{SYS_CLK(MAX)} = 50MHz$		53		
			OVR = [00], $V_{CORE} = 0.9V$, $f_{SYS_CLK(MAX)} = 12MHz$		47.4		
I_{CORE_FACTD}	Fixed, IPO enabled, total current into V_{CORE} pin, CPU in ACTIVE mode 0MHz execution, ECC disabled, inputs tied to V_{SS} or V_{DD} , outputs source/sink 0mA. See Table 16 for temperature variance.	OVR = [10], $V_{CORE} = 1.1V$		417		μA	
		OVR = [01], $V_{CORE} = 1.0V$		261			
		OVR = [00], $V_{CORE} = 0.9V$		137			

Electrical Characteristics (continued)

(All specifications and characteristics apply across the entire operating conditions range unless otherwise noted.)

PARAMETER	SYMBOL	CONDITIONS	MIN	TYP	MAX	UNITS		
V _{DD} Current, ACTIVE Mode	I _{DD_DACTD}	Dynamic, IPO enabled, total current into V _{DD} pin, V _{DD} = 3.3V, CPU in ACTIVE mode, executing CoreMark, ECC disabled, inputs tied to V _{SS} or V _{DD} , outputs source/sink 0mA	OVR = [10], f _{SYS_CLK(MAX)} = 100MHz		0.67		μA/MHz	
			OVR = [01], f _{SYS_CLK(MAX)} = 50MHz		0.67			
			OVR = [00], f _{SYS_CLK(MAX)} = 12MHz		0.67			
		Dynamic, IPO enabled, total current into V _{DD} pin, V _{DD} = 1.8V, CPU in ACTIVE mode, executing CoreMark, ECC disabled, inputs tied to V _{SS} or V _{DD} , outputs source/sink 0mA	OVR = [10], f _{SYS_CLK(MAX)} = 100MHz		0.30			
			OVR = [01], f _{SYS_CLK(MAX)} = 50MHz		0.30			
			OVR = [00], f _{SYS_CLK(MAX)} = 12MHz		0.30			
		Dynamic, IPO enabled, total current into V _{DD} pin, V _{DD} = 3.3V, CPU in ACTIVE mode, executing While(1), ECC disabled, inputs tied to V _{SS} or V _{DD} , outputs source/sink 0mA	OVR = [10], f _{SYS_CLK(MAX)} = 100MHz			0.67		
			OVR = [01], f _{SYS_CLK(MAX)} = 50MHz			0.67		
			OVR = [00], f _{SYS_CLK(MAX)} = 12MHz			0.67		
		Dynamic, IPO enabled, total current into V _{DD} pin, V _{DD} = 1.8V, CPU in ACTIVE mode, executing While(1), ECC disabled, inputs tied to V _{SS} or V _{DD} , outputs source/sink 0mA	OVR = [10], f _{SYS_CLK(MAX)} = 100MHz			0.30		
			OVR = [01], f _{SYS_CLK(MAX)} = 50MHz			0.30		
			OVR = [00], f _{SYS_CLK(MAX)} = 12MHz			0.30		

Electrical Characteristics (continued)

(All specifications and characteristics apply across the entire operating conditions range unless otherwise noted.)

PARAMETER	SYMBOL	CONDITIONS	MIN	TYP	MAX	UNITS
	I _{DD_FACTD}	Fixed, IPO enabled, total current into V _{DD} pin, V _{DD} = 3.3V, CPU in ACTIVE mode 0MHz execution, ECC disabled, inputs tied to V _{SS} or V _{DD} , outputs source/sink 0mA. See Table 17 for temperature variance.	OVR = [10], V _{CORE} = 1.1V		430	μA
			OVR = [01], V _{CORE} = 1.0V		430	
			OVR = [00], V _{CORE} = 0.9V		430	
		Fixed, IPO enabled, total current into V _{DD} pin, V _{DD} = 1.8V, CPU in ACTIVE mode 0MHz execution, ECC disabled, inputs tied to V _{SS} or V _{DD} , outputs source/sink 0mA. See Table 17 for temperature variance.	OVR = [10], V _{CORE} = 1.1V		410	
			OVR = [01], V _{CORE} = 1.0V		410	
			OVR = [00], V _{CORE} = 0.9V		410	

Electrical Characteristics (continued)

(All specifications and characteristics apply across the entire operating conditions range unless otherwise noted.)

PARAMETER	SYMBOL	CONDITIONS	MIN	TYP	MAX	UNITS
V _{CORE} Current, SLEEP Mode	I _{CORE_DSPLD}	Dynamic, IPO enabled, total current into V _{CORE} pin, CPU in SLEEP mode, ECC disabled, standard DMA with two channels active, inputs tied to V _{SS} or V _{DD} , outputs source/sink 0mA	OVR = [10], V _{CORE} = 1.1V, f _{SYS_CLK(MAX)} = 100MHz		44.5	μA/MHz
			OVR = [01], V _{CORE} = 1.0V, f _{SYS_CLK(MAX)} = 50MHz		42.9	
			OVR = [00], V _{CORE} = 0.9V, f _{SYS_CLK(MAX)} = 12MHz		39.2	
		OVR = [10], V _{CORE} = 1.1V, f _{SYS_CLK(MAX)} = 100MHz		21.1		
		OVR = [01], V _{CORE} = 1.0V, f _{SYS_CLK(MAX)} = 50MHz		19.3		
		OVR = [00], V _{CORE} = 0.9V, f _{SYS_CLK(MAX)} = 12MHz		16.5		
	I _{CORE_FSPLD}	Fixed, IPO enabled, total current into V _{CORE} pin, CPU in SLEEP mode, ECC disabled, inputs tied to V _{SS} or V _{DD} , outputs source/sink 0mA. See Table 18 for temperature variance.	OVR [10], V _{CORE} = 1.1V		417	μA
			OVR [01], V _{CORE} = 1.0V		261	
			OVR [00], V _{CORE} = 0.9V		137	

Electrical Characteristics (continued)

(All specifications and characteristics apply across the entire operating conditions range unless otherwise noted.)

PARAMETER	SYMBOL	CONDITIONS	MIN	TYP	MAX	UNITS
V _{DD} Current, SLEEP Mode	I _{DD_DSLPD}	Dynamic, IPO enabled, total current into V _{DD} pin, V _{DD} = 3.3V, CPU in SLEEP mode, ECC disabled, standard DMA with two channels active, inputs tied to V _{SS} or V _{DD} , outputs source/sink 0mA	OVR = [10], V _{CORE} = 1.1V, f _{SYS_CLK(MAX)} = 100MHz		0.002	μA/MHz
			OVR = [01], V _{CORE} = 1.0V, f _{SYS_CLK(MAX)} = 50MHz		0.002	
			OVR = [00], V _{CORE} = 0.9V, f _{SYS_CLK(MAX)} = 12MHz		0.002	
		Dynamic, IPO enabled, total current into V _{DD} pin, V _{DD} = 1.8V, CPU in SLEEP mode, ECC disabled, standard DMA with two channels active, inputs tied to V _{SS} or V _{DD} , outputs source/sink 0mA	OVR = [10], V _{CORE} = 1.1V, f _{SYS_CLK(MAX)} = 100MHz		0.001	
			OVR = [01], V _{CORE} = 1.0V, f _{SYS_CLK(MAX)} = 50MHz		0.001	
			OVR = [00], V _{CORE} = 0.9V, f _{SYS_CLK(MAX)} = 12MHz		0.001	
	I _{DD_FSLPD}	Fixed, IPO enabled, total current into V _{DD} pin, V _{DD} = 3.3V, CPU in SLEEP mode, ECC disabled, inputs tied to V _{SS} or V _{DD} , outputs source/sink 0mA. See Table 19 for temperature variance.	OVR = [10], V _{CORE} = 1.1V		430	μA
			OVR = [01], V _{CORE} = 1.0V		430	
			OVR = [00], V _{CORE} = 0.9V		430	
		Fixed, IPO enabled, total current into V _{DD} pin, V _{DD} = 1.8V, CPU in SLEEP mode, ECC disabled, inputs tied to V _{SS} or V _{DD} , outputs source/sink 0mA. See Table 19 for temperature variance.	OVR = [10], V _{CORE} = 1.1V		410	
			OVR = [01], V _{CORE} = 1.0V		410	
			OVR = [00], V _{CORE} = 0.9V		410	

Electrical Characteristics (continued)

(All specifications and characteristics apply across the entire operating conditions range unless otherwise noted.)

PARAMETER	SYMBOL	CONDITIONS	MIN	TYP	MAX	UNITS
POWER / DUAL-SUPPLY OPERATION (V_{DD} AND V_{CORE}); f_{SYS_OSC} = IBRO						
V _{CORE} Current, ACTIVE Mode	I _{CORE_DACTD}	Dynamic, IBRO enabled, total current into V _{CORE} pin, CPU in ACTIVE mode, executing CoreMark, ECC disabled, inputs tied to V _{SS} or V _{DD} , outputs source/sink 0mA	OVR = [10], V _{CORE} = 1.1V, f _{SYS_CLK(MAX)} = 7.3728MHz		70.4	μA/MHz
			OVR = [01], V _{CORE} = 1.0V, f _{SYS_CLK(MAX)} = 7.3728MHz		67	
			OVR = [00], V _{CORE} = 0.9V, f _{SYS_CLK(MAX)} = 7.3728MHz		60	
		Dynamic, IBRO enabled, total current into V _{CORE} pin, CPU in ACTIVE mode, executing While(1), ECC disabled, inputs tied to V _{SS} or V _{DD} , outputs source/sink 0mA	OVR = [10], V _{CORE} = 1.1V, f _{SYS_CLK(MAX)} = 7.3728MHz		55.9	
			OVR = [01], V _{CORE} = 1.0V, f _{SYS_CLK(MAX)} = 7.3728MHz		52.9	
			OVR = [00], V _{CORE} = 0.9V, f _{SYS_CLK(MAX)} = 7.3728MHz		46.9	
	I _{CORE_FACTD}	Fixed, IBRO enabled, total current into V _{CORE} pin, CPU in ACTIVE mode 0MHz execution, ECC disabled, inputs tied to V _{SS} or V _{DD} , outputs source/sink 0mA. See Table 20 for temperature variance.	OVR = [10], V _{CORE} = 1.1V		238	μA
			OVR = [01], V _{CORE} = 1.0V		179	
			OVR = [00], V _{CORE} = 0.9V		122	

Electrical Characteristics (continued)

(All specifications and characteristics apply across the entire operating conditions range unless otherwise noted.)

PARAMETER	SYMBOL	CONDITIONS	MIN	TYP	MAX	UNITS		
V _{DD} Current, ACTIVE Mode	I _{DD_DACTD}	Dynamic, IBRO enabled, total current into V _{DD} pin, V _{DD} = 3.3V, CPU in ACTIVE mode, executing CoreMark, ECC disabled, inputs tied to V _{SS} or V _{DD} , outputs source/sink 0mA	OVR = [10], f _{SYS_CLK(MAX)} = 7.3728MHz		0.05		μA/MHz	
			OVR = [01], f _{SYS_CLK(MAX)} = 7.3728MHz		0.01			
			OVR = [00], f _{SYS_CLK(MAX)} = 7.3728MHz		0.42			
		Dynamic, IBRO enabled, total current into V _{DD} pin, V _{DD} = 1.8V, CPU in ACTIVE mode, executing CoreMark, ECC disabled, inputs tied to V _{SS} or V _{DD} , outputs source/sink 0mA	OVR = [10], f _{SYS_CLK(MAX)} = 7.3728MHz		0.022			
			OVR = [01], f _{SYS_CLK(MAX)} = 7.3728MHz		0.045			
			OVR = [00], f _{SYS_CLK(MAX)} = 7.3728MHz		0.18			
		Dynamic, IBRO enabled, total current into V _{DD} pin, V _{DD} = 3.3V, CPU in ACTIVE mode, executing While(1), ECC disabled, inputs tied to V _{SS} or V _{DD} , outputs source/sink 0mA	OVR = [10], f _{SYS_CLK(MAX)} = 7.3728MHz		0.05			
			OVR = [01], f _{SYS_CLK(MAX)} = 7.3728MHz		0.1			
			OVR = [00], f _{SYS_CLK(MAX)} = 7.3728MHz		0.42			
		Dynamic, IBRO enabled, total current into V _{DD} pin, V _{DD} = 1.8V, CPU in ACTIVE mode, executing While(1), ECC disabled, inputs tied to V _{SS} or V _{DD} , outputs source/sink 0mA	OVR = [10], f _{SYS_CLK(MAX)} = 7.3728MHz		0.02			
			OVR = [01], f _{SYS_CLK(MAX)} = 7.3728MHz		0.04			
			OVR = [00], f _{SYS_CLK(MAX)} = 7.3728MHz		0.18			

Electrical Characteristics (continued)

(All specifications and characteristics apply across the entire operating conditions range unless otherwise noted.)

PARAMETER	SYMBOL	CONDITIONS	MIN	TYP	MAX	UNITS
	I _{DD_FACTD}	Fixed, IBRO enabled, total current into V _{DD} pin, V _{DD} = 3.3V, CPU in ACTIVE mode 0MHz execution, ECC disabled, inputs tied to V _{SS} or V _{DD} , outputs source/sink 0mA. See Table 21 for temperature variance.	OVR = [10], V _{CORE} = 1.1V		165	μA
			OVR = [01], V _{CORE} = 1.0V		165	
			OVR = [00], V _{CORE} = 0.9V		165	
		Fixed, IBRO enabled, total current into V _{DD} pin, V _{DD} = 1.8V, CPU in ACTIVE mode 0MHz execution, ECC disabled, inputs tied to V _{SS} or V _{DD} , outputs source/sink 0mA. See Table 21 for temperature variance.	OVR = [10], V _{CORE} = 1.1V		136	
			OVR = [01], V _{CORE} = 1.0V		136	
			OVR = [00], V _{CORE} = 0.9V		136	

Electrical Characteristics (continued)

(All specifications and characteristics apply across the entire operating conditions range unless otherwise noted.)

PARAMETER	SYMBOL	CONDITIONS	MIN	TYP	MAX	UNITS
V _{CORE} Current, SLEEP Mode	I _{CORE_DSLPD}	Dynamic, IBRO enabled, total current into V _{CORE} pin, CPU in SLEEP mode, ECC disabled, standard DMA with two channels active, inputs tied to V _{SS} or V _{DD} , outputs source/sink 0mA	OVR = [10], V _{CORE} = 1.1V, f _{SYS_CLK(MAX)} = 7.3728MHz		0.04	μA/MHz
			OVR = [01], V _{CORE} = 1.0V, f _{SYS_CLK(MAX)} = 7.3728MHz		0.04	
			OVR = [00], V _{CORE} = 0.9V, f _{SYS_CLK(MAX)} = 7.3728MHz		0.04	
		Dynamic, IBRO enabled, total current into V _{CORE} pin, CPU in SLEEP mode, ECC disabled, DMA disabled, inputs tied to V _{SS} or V _{DD} , outputs source/sink 0mA	OVR = [10], V _{CORE} = 1.1V, f _{SYS_CLK(MAX)} = 7.3728MHz		0.02	
			OVR = [01], V _{CORE} = 1.0V, f _{SYS_CLK(MAX)} = 7.3728MHz		0.02	
			OVR = [00], V _{CORE} = 0.9V, f _{SYS_CLK(MAX)} = 7.3728MHz		0.02	
	I _{CORE_FSLPD}	Fixed, IBRO enabled, total current into V _{CORE} pin, CPU in SLEEP mode, ECC disabled, inputs tied to V _{SS} or V _{DD} , outputs source/sink 0mA. See Table 22 for temperature variance.	OVR [10], V _{CORE} = 1.1V		238	μA
			OVR [01], V _{CORE} = 1.0V		179	
			OVR [00], V _{CORE} = 0.9V		122	

Electrical Characteristics (continued)

(All specifications and characteristics apply across the entire operating conditions range unless otherwise noted.)

PARAMETER	SYMBOL	CONDITIONS	MIN	TYP	MAX	UNITS
V _{DD} Current, SLEEP Mode	I _{DD_DSLPD}	Dynamic, IBRO enabled, total current into V _{DD} pin, V _{DD} = 3.3V, CPU in SLEEP mode, ECC disabled, standard DMA with two channels active, inputs tied to V _{SS} or V _{DD} , outputs source/sink 0mA	OVR = [10], V _{CORE} = 1.1V, f _{SYS_CLK(MAX)} = 7.3728MHz		0.001	μA/MHz
			OVR = [01], V _{CORE} = 1.0V, f _{SYS_CLK(MAX)} = 7.3728MHz		0.001	
			OVR = [00], V _{CORE} = 0.9V, f _{SYS_CLK(MAX)} = 7.3728MHz		0.001	
		Dynamic, IBRO enabled, total current into V _{DD} pin, V _{DD} = 1.8V, CPU in SLEEP mode, ECC disabled, standard DMA with two channels active, inputs tied to V _{SS} or V _{DD} , outputs source/sink 0mA	OVR = [10], V _{CORE} = 1.1V, f _{SYS_CLK(MAX)} = 7.3728MHz		0.001	
			OVR = [01], V _{CORE} = 1.0V, f _{SYS_CLK(MAX)} = 7.3728MHz		0.001	
			OVR = [00], V _{CORE} = 0.9V, f _{SYS_CLK(MAX)} = 7.3728MHz		0.001	
	I _{DD_FSLPD}	Fixed, IBRO enabled, total current into V _{DD} pin, V _{DD} = 3.3V, CPU in SLEEP mode, ECC disabled, inputs tied to V _{SS} or V _{DD} , outputs source/sink 0mA. See Table 23 for temperature variance.	OVR = [10], V _{CORE} = 1.1V		165	μA
			OVR = [01], V _{CORE} = 1.0V		165	
			OVR = [00], V _{CORE} = 0.9V		165	
		Fixed, IBRO enabled, total current into V _{DD} pin, V _{DD} = 1.8V, CPU in SLEEP mode, ECC disabled, inputs tied to V _{SS} or V _{DD} , outputs source/sink 0mA. See Table 23 for temperature variance.	OVR = [10], V _{CORE} = 1.1V		136	
			OVR = [01], V _{CORE} = 1.0V		136	
			OVR = [00], V _{CORE} = 0.9V		136	

Electrical Characteristics (continued)

(All specifications and characteristics apply across the entire operating conditions range unless otherwise noted.)

PARAMETER	SYMBOL	CONDITIONS	MIN	TYP	MAX	UNITS
POWER / DUAL-SUPPLY OPERATION (V_{DD} AND V_{CORE})						
V_{CORE} Fixed Current, DEEPSLEEP Mode	$I_{CORE_FDSL P D}$	See Table 24 for temperature variance.	$V_{DD} = 3.3V,$ $V_{CORE} = 1.1V$	12.2		μA
			$V_{DD} = 3.3V,$ $V_{CORE} = 0.855V$	4.6		
			$V_{DD} = 1.8V,$ $V_{CORE} = 1.1V$	12.2		
			$V_{DD} = 1.8V,$ $V_{CORE} = 0.855V$	4.6		
V_{DD} Fixed Current, DEEPSLEEP Mode	$I_{DD_FDSL P D}$	See Table 25 for temperature variance.	$V_{DD} = 3.3V,$ $V_{CORE} = 1.1V$	0.37		μA
			$V_{DD} = 3.3V,$ $V_{CORE} = 0.855V$	0.37		
			$V_{DD} = 1.8V,$ $V_{CORE} = 1.1V$	0.15		
			$V_{DD} = 1.8V,$ $V_{CORE} = 0.855V$	0.15		

Electrical Characteristics (continued)

(All specifications and characteristics apply across the entire operating conditions range unless otherwise noted.)

PARAMETER	SYMBOL	CONDITIONS	MIN	TYP	MAX	UNITS
V _{CORE} Fixed Current, BACKUP Mode	I _{CORE_FBKUD}	0KB SRAM retained, RTC disabled, retention regulator disabled. See Table 26 for temperature variance.	V _{DD} = 3.3V, V _{CORE} = 1.1V		0.28	μA
			V _{DD} = 3.3V, V _{CORE} = 0.855V		0.14	
			V _{DD} = 1.8V, V _{CORE} = 1.1V		0.28	
			V _{DD} = 1.8V, V _{CORE} = 0.855V		0.14	
		20KB SRAM retained with RTC disabled. See Table 26 for temperature variance.	V _{DD} = 3.3V, V _{CORE} = 1.1V		1.31	
			V _{DD} = 3.3V, V _{CORE} = 0.855V		0.54	
			V _{DD} = 1.8V, V _{CORE} = 1.1V		1.31	
			V _{DD} = 1.8V, V _{CORE} = 0.855V		0.54	
		40KB SRAM retained with RTC disabled. See Table 26 for temperature variance.	V _{DD} = 3.3V, V _{CORE} = 1.1V		2.35	
			V _{DD} = 3.3V, V _{CORE} = 0.855V		0.94	
			V _{DD} = 1.8V, V _{CORE} = 1.1V		2.35	
			V _{DD} = 1.8V, V _{CORE} = 0.855V		0.94	
		120KB SRAM retained with RTC disabled. See Table 26 for temperature variance.	V _{DD} = 3.3V, V _{CORE} = 1.1V		5.46	
			V _{DD} = 3.3V, V _{CORE} = 0.855V		2.02	
			V _{DD} = 1.8V, V _{CORE} = 1.1V		5.46	
			V _{DD} = 1.8V, V _{CORE} = 0.855V		2.02	
		200KB SRAM retained with RTC disabled. See Table 26 for temperature variance.	V _{DD} = 3.3V, V _{CORE} = 1.1V		8.55	
			V _{DD} = 3.3V, V _{CORE} = 0.855V		3.09	
			V _{DD} = 1.8V, V _{CORE} = 1.1V		8.55	
			V _{DD} = 1.8V, V _{CORE} = 0.855V		3.09	

Electrical Characteristics (continued)

(All specifications and characteristics apply across the entire operating conditions range unless otherwise noted.)

PARAMETER	SYMBOL	CONDITIONS	MIN	TYP	MAX	UNITS
V _{DD} Fixed Current, BACKUP Mode	I _{DD_FBKUD}	0KB SRAM retained with RTC disabled, retention regulator disabled. See Table 27 for temperature variance.	V _{DD} = 3.3V, V _{CORE} = 1.1V		0.37	μA
			V _{DD} = 3.3V, V _{CORE} = 0.855V		0.37	
			V _{DD} = 1.8V, V _{CORE} = 1.1V		0.16	
			V _{DD} = 1.8V, V _{CORE} = 0.855V		0.16	
		20KB SRAM retained with RTC disabled. See Table 27 for temperature variance.	V _{DD} = 3.3V, V _{CORE} = 1.1V		0.37	
			V _{DD} = 3.3V, V _{CORE} = 0.855V		0.37	
			V _{DD} = 1.8V, V _{CORE} = 1.1V		0.16	
			V _{DD} = 1.8V, V _{CORE} = 0.855V		0.16	
		40KB SRAM retained with RTC disabled. See Table 27 for temperature variance.	V _{DD} = 3.3V, V _{CORE} = 1.1V		0.37	
			V _{DD} = 3.3V, V _{CORE} = 0.855V		0.37	
			V _{DD} = 1.8V, V _{CORE} = 1.1V		0.16	
			V _{DD} = 1.8V, V _{CORE} = 0.855V		0.16	
		120KB SRAM retained with RTC disabled. See Table 27 for temperature variance.	V _{DD} = 3.3V, V _{CORE} = 1.1V		0.37	
			V _{DD} = 3.3V, V _{CORE} = 0.855V		0.37	
			V _{DD} = 1.8V, V _{CORE} = 1.1V		0.16	
			V _{DD} = 1.8V, V _{CORE} = 0.855V		0.16	
		200KB SRAM retained with RTC disabled. See Table 27 for temperature variance.	V _{DD} = 3.3V, V _{CORE} = 1.1V		0.37	
			V _{DD} = 3.3V, V _{CORE} = 0.855V		0.37	
			V _{DD} = 1.8V, V _{CORE} = 1.1V		0.16	
			V _{DD} = 1.8V, V _{CORE} = 0.855V		0.16	

Electrical Characteristics (continued)

(All specifications and characteristics apply across the entire operating conditions range unless otherwise noted.)

PARAMETER	SYMBOL	CONDITIONS		MIN	TYP	MAX	UNITS
V _{CORE} Fixed Current, STORAGE Mode	I _{CORE_FSTOD}	See Table 28 for temperature variance.	V _{DD} = 3.3V, V _{CORE} = 1.1V		0.29		μA
			V _{DD} = 3.3V, V _{CORE} = 0.855V		0.15		
			V _{DD} = 1.8V, V _{CORE} = 1.1V		0.29		
			V _{DD} = 1.8V, V _{CORE} = 0.855V		0.15		
V _{DD} Fixed Current, STORAGE Mode	I _{DD_FSTOD}	See Table 29 for temperature variance.	V _{DD} = 3.3V; V _{CORE} = 1.1V		0.4		μA
			V _{DD} = 3.3V; V _{CORE} = 0.855V		0.4		
			V _{DD} = 1.8V; V _{CORE} = 1.1V		0.16		
			V _{DD} = 1.8V; V _{CORE} = 0.855V		0.16		
POWER / DUAL-SUPPLY OPERATION (V_{DD} AND V_{CORE}) RESUME TIMES							
SLEEP Mode Resume Time	t _{SLP_OND}	f _{SYS_OSC} = IPO; OVR = [11]			0.1		μs
		f _{SYS_OSC} = IBRO; OVR = [11]			1.1		
DEEPSLEEP Mode Resume Time	t _{DSL_OND}	f _{SYS_OSC} = IPO; OVR = [11]	fast_wk_en = 1		37		μs
			fast_wk_en = 0		184		
		f _{SYS_OSC} = IBRO; OVR = [11]	fast_wk_en = 1		146		
			fast_wk_en = 0		295		
BACKUP Mode Resume Time	t _{BKU_OND}	Time from power mode exit to execution of application code; OVR = [11]	Parts without SCPBL		1.05		ms
			Parts with SCPBL performing signature verification over 512KB of flash		264		
STORAGE Mode Resume Time	t _{STO_OND}	Time from power mode exit to execution of application code	Parts without SCPBL		1.05		ms
			Parts with SCPBL performing signature verification over 512KB of flash		264		
Cold Boot Startup Time	t _{CB_STD}	Time from V _{DD} = V _{DD(MIN)} and V _{CORE} = V _{CORE(MIN)} to execution of application code	Parts without SCPBL		1.05		ms
CLOCKS							
System Clock Frequency	f _{SYS_CLK}					100	MHz

Electrical Characteristics (continued)

(All specifications and characteristics apply across the entire operating conditions range unless otherwise noted.)

PARAMETER	SYMBOL	CONDITIONS	MIN	TYP	MAX	UNITS
System Clock Period	t_{SYS_CLK}			$1/f_{SYS_CLK}$		μs
Internal Primary Oscillator (IPO)	f_{IPO}	Default OVR = [10]		100		MHz
External RF Oscillator (ERFO)	f_{ERFO}	Required crystal characteristics: $C_L = 12pF$, $ESR \leq 50\Omega$, $C_0 \leq 7pF$, temperature stability $\pm 20ppm$, initial tolerance $\pm 20ppm$	16		32	MHz
Internal Baud Rate Oscillator (IBRO)	f_{IBRO}			7.3728		MHz
Internal Nanoring Oscillator (INRO)	f_{INRO}	Measured at $V_{DD} = 1.8V$		70		kHz
External RTC Oscillator (ERTCO)	f_{ERTCO}	32.768kHz watch crystal, $C_{L_XTAL} = 6pF$, $ESR < 90k\Omega$, $C_0 < 2pF$, see RTC Crystal Guidelines		32.768		kHz
RTC Operating Current	I_{RTC}	All power modes, RTC enabled		0.35		μA
RTC Power-Up Time	t_{RTC_ON}			250		ms
External Clock Input Frequency	f_{EXT_CLK}	EXT_CLK1 selected			50	MHz
		EXT_CLK2 selected			1	
12-BIT SAR ADC						
Resolution				12		bits
Effective Number of Bits	ENOB	ADC_CLKCTRL.clkdiv = 0bX00. AINx input pk-pk = $V_{REF} - 10mV$		10		bits
External Reference Voltage	V_{REF}	$V_{REF} \leq V_{DDA}$	2.048		V_{DDA}	V
Internal Reference Voltage	V_{INT_REF}	MCR_ADC_CFG0.ext_ref = 0, MCR_ADC_CFG0.ref_sel = 0		1.25		V
	V_{INT_REF}	MCR_ADC_CFG0.ext_ref = 0, MCR_ADC_CFG0.ref_sel = 1		2.048		
ADC Clock Rate	f_{ACLK}			1		MHz
ADC Clock Period	t_{ACLK}			$1/f_{ACLK}$		μs
Input Voltage Range	V_{AIN}	AIN[11:0], ADC_DATA.chan = [11:0]	ADC_CLKCTRL.clkdiv = 0bX00	$V_{SSA} + 0.05$	V_{REF}	V
			ADC_CLKCTRL.clkdiv = 0bX01	$V_{SSA} + 0.05$	$\min(2 \times V_{REF}, V_{DDA})$	
			ADC_CLKCTRL.clkdiv = 0bX10	$V_{SSA} + 0.05$	$\min(2 \times V_{REF}, V_{DDA})$	
Input Impedance	R_{AIN}	MCR_ADC_CFG2.chn = 0b01		5		k Ω
		MCR_ADC_CFG2.chn = 0b10		50		
Analog Input Capacitance	C_{AIN}	Fixed capacitance to V_{SSA}		2		pF
		Dynamically switched capacitance		1.2		pF
Integral Nonlinearity	INL			± 1.5		LSb
Differential Nonlinearity	DNL			± 0.75		LSb

Electrical Characteristics (continued)

(All specifications and characteristics apply across the entire operating conditions range unless otherwise noted.)

PARAMETER	SYMBOL	CONDITIONS	MIN	TYP	MAX	UNITS
Offset Error	V _{OS}	Chopping disabled		±9		LSb
		Chopping enabled		±0.2		
ADC Active Current	I _{ADC}	ADC active, reference buffer enabled, ADC_CLKCTRL.clk div = 0bX00	MCR_ADC_CFG0. ext_ref = 0, MCR_ADC_CFG0. ref_sel = 0, V _{DDA} = 1.8V		500	μA
			MCR_ADC_CFG0. ext_ref = 0, MCR_ADC_CFG0. ref_sel = 1, V _{DDA} = 3.3V		788	
		ADC active, reference buffer enabled, ADC_CLKCTRL.clk div = 0bX01	MCR_ADC_CFG0. ext_ref = 0, MCR_ADC_CFG0. ref_sel = 0, V _{DDA} = 1.8V		440	
			MCR_ADC_CFG0. ext_ref = 0, MCR_ADC_CFG0. ref_sel = 1, V _{DDA} = 3.3V		670	
		ADC active, reference buffer enabled, ADC_CLKCTRL.clk div = 0bX10	MCR_ADC_CFG0. ext_ref = 0, MCR_ADC_CFG0. ref_sel = 0, V _{DDA} = 1.8V		366	
			MCR_ADC_CFG0. ext_ref = 0, MCR_ADC_CFG0. ref_sel = 1, V _{DDA} = 3.3V		512	
ADC Sample Rate	f _{ADC}	ADC_CLKCTRL.clkdiv = 0bX00			1	MSPS
		ADC_CLKCTRL.clkdiv = 0bX01			0.625	
		ADC_CLKCTRL.clkdiv = 0bX10			0.125	
ADC Setup Time	t _{ADC_SU}	Any power-up of ADC clock or ADC bias to CpuAdcStart			500	μs
ADC Input Leakage	I _{ADC_LEAK}	ADC inactive or channel not selected		0.4		nA
Bandgap Temperature Coefficient	V _{TEMPCO}	Box method		45		ppm
12-BIT SAR ADC / TEMPERATURE SENSOR						
Accuracy	T _{ACC}	Includes linearity and calibration error		±3		°C
Conversion Time	t _{T_CONV}	Includes integration and ADC conversion time		300		μs
Integration Noise 1-Sigma	T _{INTN}	Reduce by $\frac{1}{\sqrt{N}}$ integrations		0.5		°C

Electrical Characteristics (continued)

(All specifications and characteristics apply across the entire operating conditions range unless otherwise noted.)

PARAMETER	SYMBOL	CONDITIONS	MIN	TYP	MAX	UNITS
COMPARATORS						
Input Offset Voltage	V_{OFFSET}			±3		mV
Input Hysteresis	V_{HYST}	AINCOMPHYST[1:0] = 00		22		mV
		AINCOMPHYST[1:0] = 01		50		
		AINCOMPHYST[1:0] = 10		2		
		AINCOMPHYST[1:0] = 11		7		
Input Voltage Range	$V_{\text{IN_CMP}}$	Common-mode range	0.6		1.35	V
GENERAL-PURPOSE I/O						
Input Low Voltage for All GPIO, RSTN	$V_{\text{IL_GPIO}}$	Pin configured as GPIO			$0.3 \times V_{\text{DD}}$	V
Input High Voltage for All GPIO, RSTN	$V_{\text{IH_GPIO}}$	Pin configured as GPIO	$0.7 \times V_{\text{DD}}$			V
Output Low Voltage for All GPIO Except P0.6, P0.7, P0.12, P0.13, P0.18, and P0.19	$V_{\text{OL_GPIO}}$	$V_{\text{DD}} = 1.71\text{V}$, $I_{\text{OL}} = 1\text{mA}$, DS[1:0] = 00 (Note 1)		0.2	0.4	V
		$V_{\text{DD}} = 1.71\text{V}$, $I_{\text{OL}} = 2\text{mA}$, DS[1:0] = 10 (Note 1)		0.2	0.4	
		$V_{\text{DD}} = 1.71\text{V}$, $I_{\text{OL}} = 4\text{mA}$, DS[1:0] = 01 (Note 1)		0.2	0.4	
		$V_{\text{DD}} = 1.71\text{V}$, $I_{\text{OL}} = 6\text{mA}$, DS[1:0] = 11 (Note 1)		0.2	0.4	
Output Low Voltage for GPIO P0.6, P0.7, P0.12, P0.13, P0.18, P0.19	$V_{\text{OL_I2C}}$	$V_{\text{DD}} = 1.71\text{V}$, $I_{\text{OL}} = 2\text{mA}$, DS = 0 (Note 1)		0.2	0.4	V
		$V_{\text{DD}} = 1.71\text{V}$, $I_{\text{OL}} = 8\text{mA}$, DS = 1 (Note 1)		0.2	0.4	
Output High Voltage for All GPIO Except P0.6, P0.7, P0.12, P0.13, P0.18, and P0.19	$V_{\text{OH_GPIO}}$	$V_{\text{DD}} = 1.71\text{V}$, $I_{\text{OH}} = 1\text{mA}$, DS[1:0] = 00 (Note 1)	$V_{\text{DD}} - 0.4$			V
		$V_{\text{DD}} = 1.71\text{V}$, $I_{\text{OH}} = 2\text{mA}$, DS[1:0] = 10 (Note 1)	$V_{\text{DD}} - 0.4$			
		$V_{\text{DD}} = 1.71\text{V}$, $I_{\text{OH}} = 4\text{mA}$, DS[1:0] = 01 (Note 1)	$V_{\text{DD}} - 0.4$			
		$V_{\text{DD}} = 1.71\text{V}$, $I_{\text{OH}} = 6\text{mA}$, DS[1:0] = 11 (Note 1)	$V_{\text{DD}} - 0.4$			
Output High Voltage for GPIO P0.6, P0.7, P0.12, P0.13, P0.18, and P0.19	$V_{\text{OH_I2C}}$	$V_{\text{DD}} = 1.71\text{V}$, $I_{\text{OH}} = 2\text{mA}$, DS = 0 (Note 1)	$V_{\text{DD}} - 0.4$			V
		$V_{\text{DD}} = 1.71\text{V}$, $I_{\text{OH}} = 8\text{mA}$, DS = 1 (Note 1)	$V_{\text{DD}} - 0.4$			
Combined I_{OL} , All GPIO	$I_{\text{OL_TOTAL}}$				100	mA
Combined I_{OH} , All GPIO	$I_{\text{OH_TOTAL}}$		-100			mA
Input Hysteresis (Schmitt)	V_{IHYS}			300		mV
Input/Output Pin Capacitance for All Pins	C_{IO}			4		pF
Input Leakage Current Low	I_{IL}	$V_{\text{IN}} = 0\text{V}$, internal pullup disabled	-500		+500	nA

Electrical Characteristics (continued)

(All specifications and characteristics apply across the entire operating conditions range unless otherwise noted.)

PARAMETER	SYMBOL	CONDITIONS	MIN	TYP	MAX	UNITS
Input Leakage Current High	I_{IH}	$V_{IN} = 3.6V$, internal pulldown disabled	-500		+500	nA
RSTN Assertion Time	t_{RSTN}	Device in ACTIVE mode, RSTN device pin assertion duration to entry into device reset state		$6 \times t_{SYS_CLK}$		μs
Input Pullup Resistor to RSTN	R_{PU_VDD}	Pullup to $V_{DD} = V_{RST}$, RSTN at V_{IH}		18.7		k Ω
		Pullup to $V_{DD} = 3.63V$, RSTN at V_{IH}		10.0		
Input Pullup Resistor for All GPIO	R_{PU}	Device pin configured as GPIO, pullup to $V_{DD} = V_{RST}$, device pin at V_{IH}		18.7		k Ω
		Device pin configured as GPIO, pullup to $V_{DD} = 3.63V$, device pin at V_{IH}		10.0		
Input Pulldown Resistor for All GPIO	R_{PD}	Device pin configured as GPIO, pulldown to V_{SS} , $V_{DD} = V_{RST}$, device pin at V_{IL}		17.6		k Ω
		Device pin configured as GPIO, pulldown to V_{SS} , $V_{DD} = 3.63V$, device pin at V_{IL}		8.8		
FLASH MEMORY						
Flash Erase Time	t_{M_ERASE}	Mass erase		30		ms
	t_{P_ERASE}	Page erase		30		
Flash Programming Time per Word	t_{PROG}	32-bit programming mode, $f_{FLC_CLK} = 1MHz$		42		μs
Flash Endurance			10			kcycles
Data Retention	t_{RET}	$T_A = +125^\circ C$	10			years
Current Consumption During Flash Programming	I_{PROG}	Single-supply operation; current required for flash write/erase	V_{DD}	6.5		mA
		Dual-supply operation; current required for flash write/erase	V_{CORE}	0.5		
			V_{DD}	6		

Electrical Characteristics—SPI

(Timing specifications are guaranteed by design and not production tested. All specifications and characteristics apply across the entire operating conditions range unless otherwise noted.)

PARAMETER	SYMBOL	CONDITIONS	MIN	TYP	MAX	UNITS
CONTROLLER MODE						
SPI Controller Operating Frequency	f_{MCK}	$f_{SYS_CLK} = 100MHz$, $f_{MCK(MAX)} = f_{SYS_CLK}/2$			50	MHz
SPI Controller SCK Period	t_{MCK}			$1/f_{MCK}$		ns
SCK Output Pulse-Width High/Low	t_{MCH} , t_{MCL}		$t_{MCK}/2$			ns
MOSI Output Hold Time After SCK Sample Edge	t_{MOH}		$t_{MCK}/2$			ns

Electrical Characteristics—SPI (continued)

(Timing specifications are guaranteed by design and not production tested. All specifications and characteristics apply across the entire operating conditions range unless otherwise noted.)

PARAMETER	SYMBOL	CONDITIONS	MIN	TYP	MAX	UNITS
MOSI Output Valid to Sample Edge	t_{MOV}		$t_{MCK}/2$			ns
MOSI Output Hold Time After SCK Low Idle	t_{MLH}			$t_{MCK}/2$		ns
MISO Input Valid to SCK Sample Edge Setup	t_{MIS}			5		ns
MISO Input to SCK Sample Edge Hold	t_{MIH}			$t_{MCK}/2$		ns
TARGET MODE						
SPI Target Operating Frequency	f_{SCK}				50	MHz
SPI Target SCK Period	t_{SCK}			$1/f_{SCK}$		ns
SCK Input Pulse-Width High/Low	t_{SCH}, t_{SCL}			$t_{SCK}/2$		
SSx Active to First Shift Edge	t_{SSE}			10		ns
MOSI Input to SCK Sample Edge Rise/Fall Setup	t_{SIS}			5		ns
MOSI Input from SCK Sample Edge Transition Hold	t_{SIH}			1		ns
MISO Output Valid after SCLK Shift Edge Transition	t_{SOV}			5		ns
SCK Inactive to SSx Inactive	t_{SSD}			10		ns
SSx Inactive Time	t_{SSH}			$1/f_{SCK}$		μ s
MISO Hold Time after SSx Deassertion	t_{SLH}			10		ns

Electrical Characteristics—I²C

(Timing specifications are guaranteed by design and not production tested. All specifications and characteristics apply across the entire operating conditions range unless otherwise noted.)

PARAMETER	SYMBOL	CONDITIONS	MIN	TYP	MAX	UNITS
STANDARD MODE						
Output Fall Time	t_{OF}	Standard mode, from $V_{IH(MIN)}$ to $V_{IL(MAX)}$		150		ns
SCL Clock Frequency	f_{SCL}		0		100	kHz
Low-Period SCL Clock	t_{LOW}		4.7			μ s
High-Time SCL Clock	t_{HIGH}		4.0			μ s

Electrical Characteristics—I²C (continued)

(Timing specifications are guaranteed by design and not production tested. All specifications and characteristics apply across the entire operating conditions range unless otherwise noted.)

PARAMETER	SYMBOL	CONDITIONS	MIN	TYP	MAX	UNITS
Setup Time for Repeated Start Condition	$t_{SU;STA}$		4.7			μ s
Hold Time for Repeated Start Condition	$t_{HD;STA}$		4.0			μ s
Data Setup Time	$t_{SU;DAT}$			300		ns
Data Hold Time	$t_{HD;DAT}$			10		ns
Rise Time for SDA and SCL	t_R			800		ns
Fall Time for SDA and SCL	t_F			200		ns
Setup Time for a Stop Condition	$t_{SU;STO}$		4.0			μ s
Bus Free Time Between a Stop and Start Condition	t_{BUS}		4.7			μ s
Data Valid Time	$t_{VD;DAT}$				3.45	μ s
Data Valid Acknowledge Time	$t_{VD;ACK}$				3.45	μ s
FAST MODE						
Output Fall Time	t_{OF}	From $V_{IH(MIN)}$ to $V_{IL(MAX)}$		150		ns
Pulse Width Suppressed by Input Filter	t_{SP}			75		ns
SCL Clock Frequency	f_{SCL}		0		400	kHz
Low-Period SCL Clock	t_{LOW}		1.3			μ s
High-Time SCL Clock	t_{HIGH}		0.6			μ s
Setup Time for Repeated Start Condition	$t_{SU;STA}$		0.6			μ s
Hold Time for Repeated Start Condition	$t_{HD;STA}$		0.6			μ s
Data Setup Time	$t_{SU;DAT}$			125		ns
Data Hold Time	$t_{HD;DAT}$			10		ns
Rise Time for SDA and SCL	t_R			30		ns
Fall Time for SDA and SCL	t_F			30		ns
Setup Time for a Stop Condition	$t_{SU;STO}$		0.6			μ s
Bus Free Time Between a Stop and Start Condition	t_{BUS}		1.3			μ s
Data Valid Time	$t_{VD;DAT}$				0.9	μ s

Electrical Characteristics—I²C (continued)

(Timing specifications are guaranteed by design and not production tested. All specifications and characteristics apply across the entire operating conditions range unless otherwise noted.)

PARAMETER	SYMBOL	CONDITIONS	MIN	TYP	MAX	UNITS
Data Valid Acknowledge Time	$t_{VD;ACK}$		0.9			μ s
FAST-MODE PLUS						
Output Fall Time	t_{OF}	From $V_{IH(MIN)}$ to $V_{IL(MAX)}$		80		ns
Pulse Width Suppressed by Input Filter	t_{SP}			75		ns
SCL Clock Frequency	f_{SCL}		0		1000	kHz
Low-Period SCL Clock	t_{LOW}		0.5			μ s
High-Time SCL Clock	t_{HIGH}		0.26			μ s
Setup Time for Repeated Start Condition	$t_{SU;STA}$		0.26			μ s
Hold Time for Repeated Start Condition	$t_{HD;STA}$		0.26			μ s
Data Setup Time	$t_{SU;DAT}$			50		ns
Data Hold Time	$t_{HD;DAT}$			10		ns
Rise Time for SDA and SCL	t_R			50		ns
Fall Time for SDA and SCL	t_F			30		ns
Setup Time for a Stop Condition	$t_{SU;STO}$		0.26			μ s
Bus Free Time Between a Stop and Start Condition	t_{BUS}		0.5			μ s
Data Valid Time	$t_{VD;DAT}$				0.45	μ s
Data Valid Acknowledge Time	$t_{VD;ACK}$				0.45	μ s

Electrical Characteristics—I²S Target

(Timing specifications are guaranteed by design and not production tested. All specifications and characteristics apply across the entire operating conditions range unless otherwise noted.)

PARAMETER	SYMBOL	CONDITIONS	MIN	TYP	MAX	UNITS
Bit Clock Frequency	f_{BCLKS}				25	MHz
Bit Clock Period	t_{BCLKS}		$1/f_{BCLKS}$			ns
BCLK High Time	$t_{WBCLKHS}$			0.5		$1/f_{BCLKS}$
BCLK Low Time	$t_{WBCLKLS}$			0.5		$1/f_{BCLKS}$
LRCLK Setup Time	t_{LRCLK_BCLKS}			25		ns
Delay Time, BCLK to SD (Output) Valid	t_{BCLK_SDOS}			12		ns
Setup Time for SD (Input)	t_{SU_SDIS}			6		ns

Electrical Characteristics—I²S Target (continued)

(Timing specifications are guaranteed by design and not production tested. All specifications and characteristics apply across the entire operating conditions range unless otherwise noted.)

PARAMETER	SYMBOL	CONDITIONS	MIN	TYP	MAX	UNITS
Hold Time SD (Input)	t _{HD_SDIS}			3		ns

Electrical Characteristics—Quadrature Decoder

(Timing specifications are guaranteed by design and not production tested. All specifications and characteristics apply across the entire operating conditions range unless otherwise noted.)

PARAMETER	SYMBOL	CONDITIONS	MIN	TYP	MAX	UNITS
Encoder Period	t _{EP}	Ensure at least one sample in each encoder state	4	8		t _{PCLK}
Encoder Pulse Width	t _E	Ensure at least one sample in each encoder state	2	4		t _{PCLK}
Encoder State Period	t _{ES}	Ensure at least one sample in each encoder state	1	2		t _{PCLK}
Index Signal Width	t _{IND}		1	1/4 x t _{EP}	t _{EP}	t _{PCLK}
Expected Glitch Time Window	t _{GL}	QDEC_CTRL.filter = 0b00	0			t _{PCLK}
		QDEC_CTRL.filter = 0b01		1		
Q DIRECTION	t _{QDIR}	After either QEA or QEB transition		4		t _{PCLK}
Q MATCH	t _{QM}	After either QEA or QEB transition		4		t _{PCLK}
Q MATCH Pulse Width	t _{QMP}	Until next state transition		1		t _{ES}
Q ERROR	t _{ER}	After either a faulty QEA or QEB transition		4		t _{PCLK}
Q ERROR Pulse Width	t _{ERP}	Until next state transition		1		t _{ES}

Note 1: When using a GPIO bias voltage of 2.97V, the drive current capability of the GPIO is 2x that of its drive strength when using a GPIO bias voltage of 1.62V.

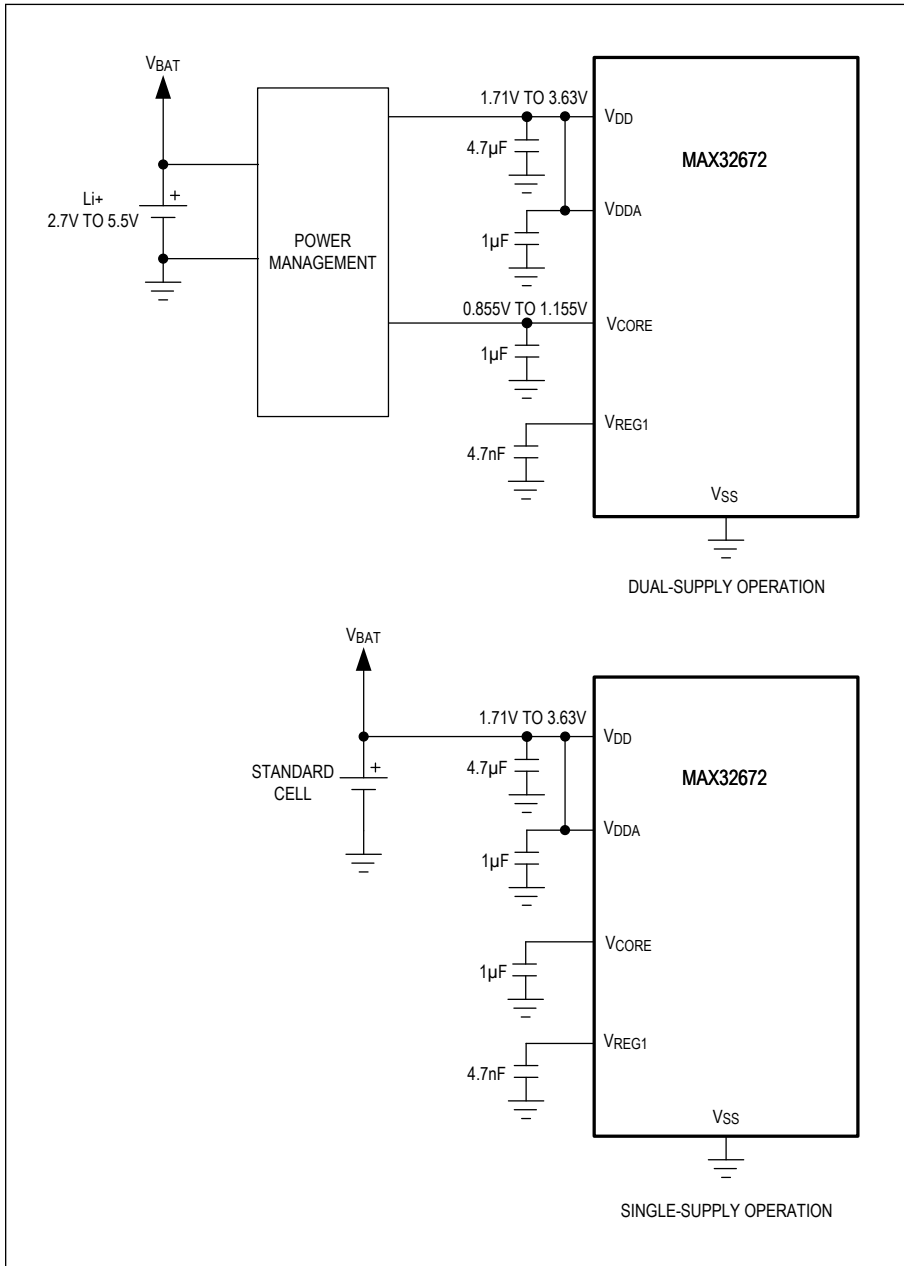


Figure 1. Power Supply Operational Modes

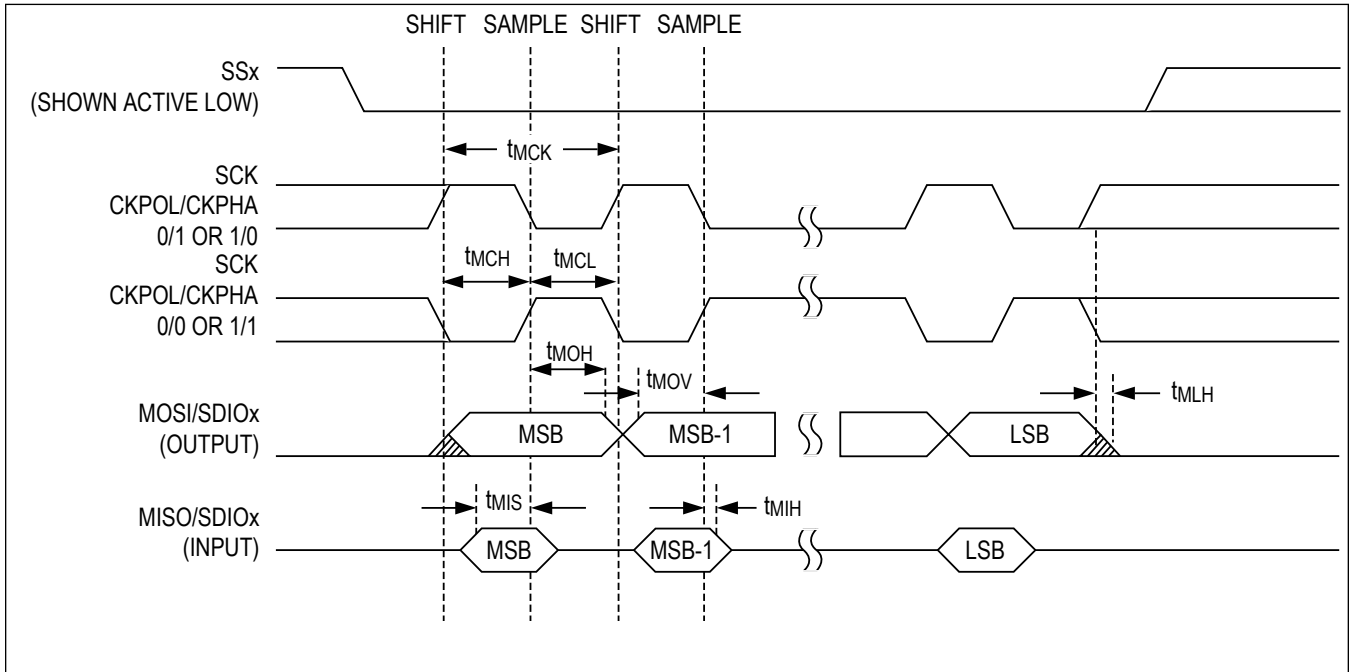


Figure 2. SPI Controller Mode Timing Diagram

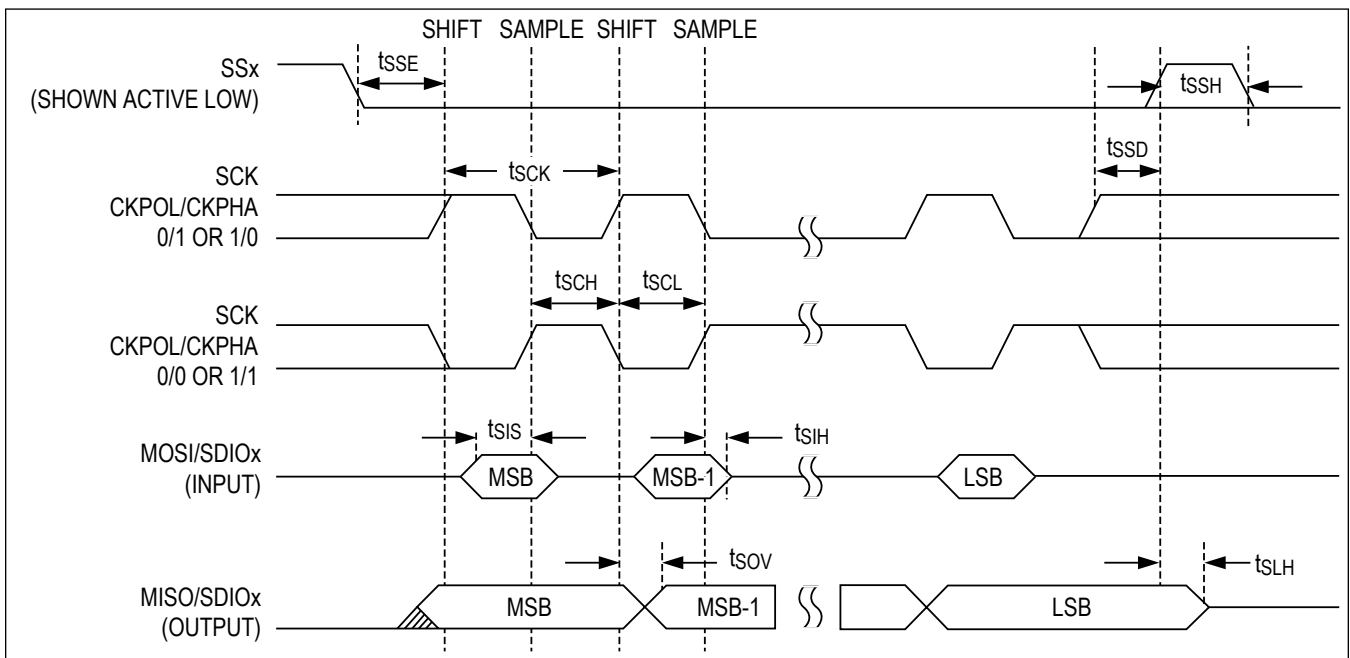


Figure 3. SPI Target Mode Timing Diagram

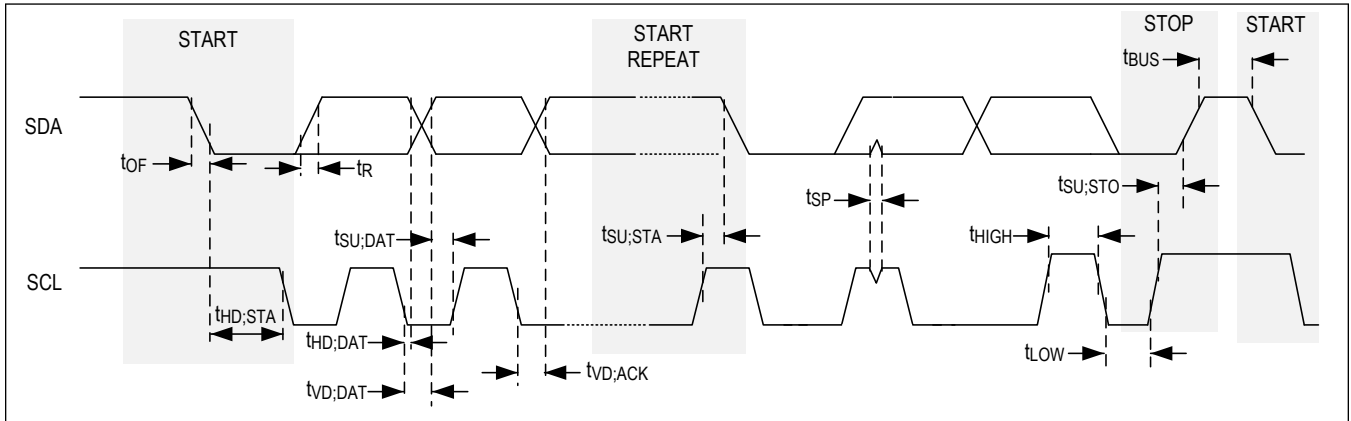


Figure 4. I²C Timing Diagram

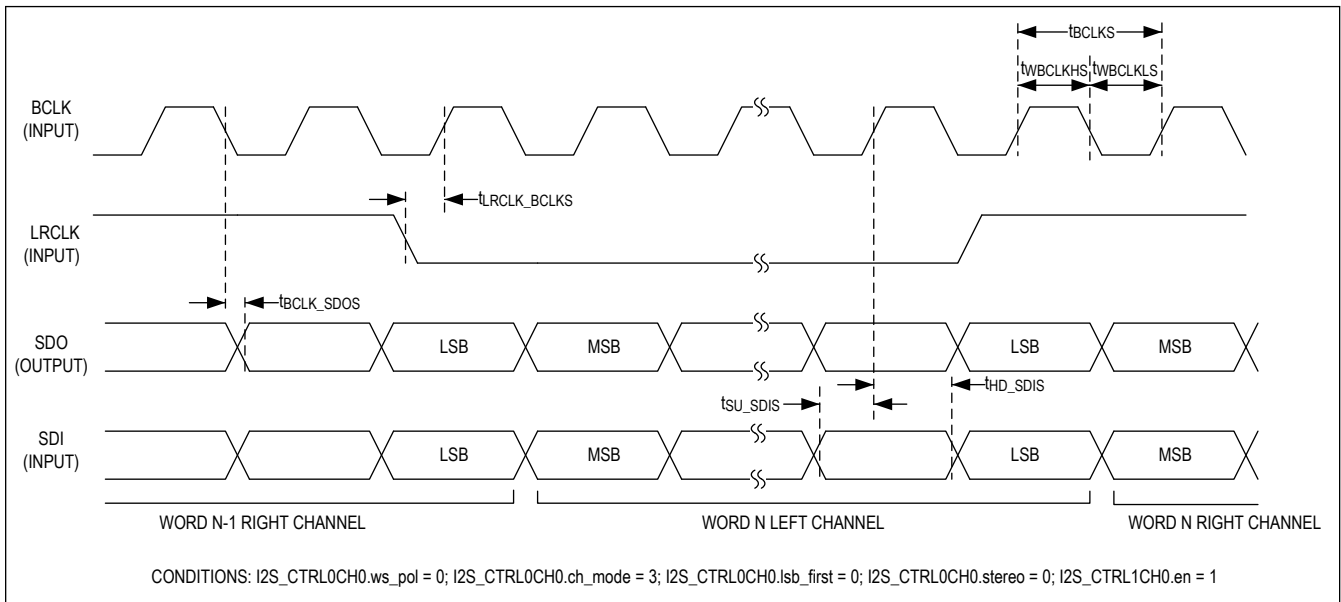


Figure 5. I²S Timing Diagram

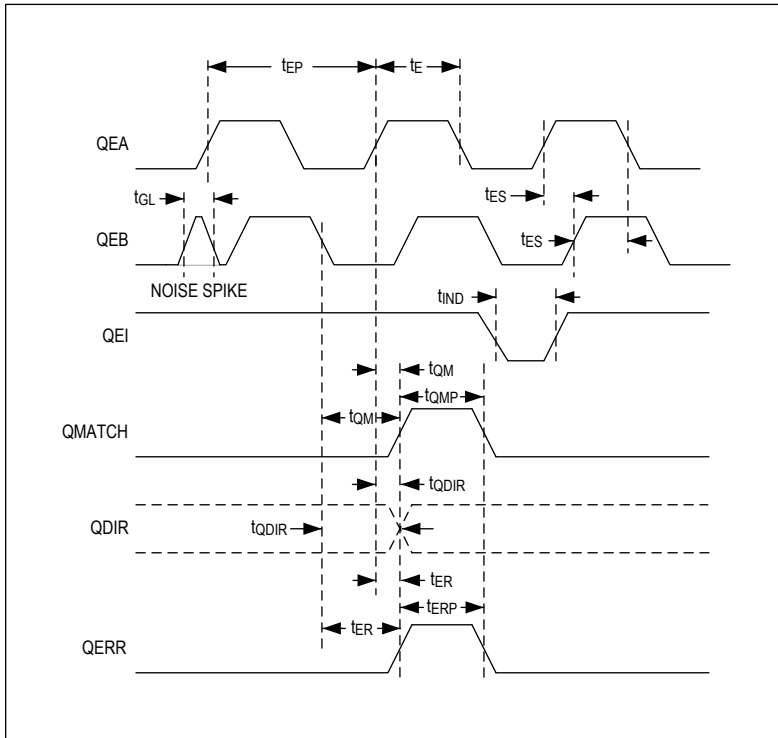
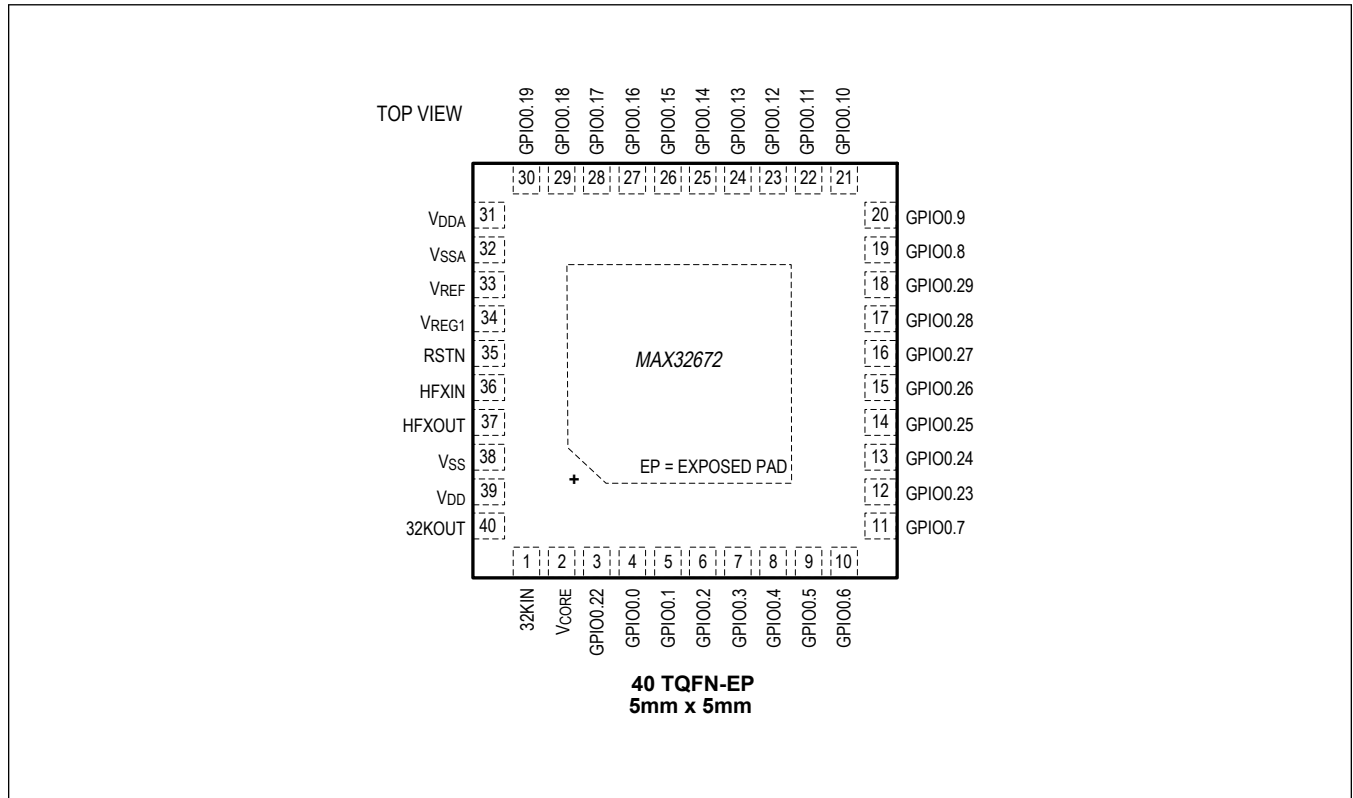


Figure 6. Quadrature Decoder Timing Diagram

Pin Configuration

40 TQFN-EP



Pin Description

PIN	NAME	FUNCTION MODE					FUNCTION
		Primary Signal (Default)	Alternate Function 1	Alternate Function 2	Alternate Function 3	Alternate Function 4	
POWER AND SYSTEM PINS (See Bypass Capacitor Recommendations)							
2	V _{CORE}	—	—	—	—	—	Digital Supply Voltage. Bypass with 1.0µF to V _{SS} .
34	V _{REG1}	—	—	—	—	—	Bypass with 4.7nF to V _{SS} . Do not connect this device pin to any other external circuitry.
39	V _{DD}	—	—	—	—	—	GPIO Supply Voltage. Bypass with 4.7µF to V _{SS} .
38	V _{SS}	—	—	—	—	—	Digital Ground
33	V _{REF}	—	—	—	—	—	ADC External Reference Input. This is the reference input for the ADC. Bypass with 1.0µF to V _{SS} .

40 TQFN-EP

PIN	NAME	FUNCTION MODE					FUNCTION
		Primary Signal (Default)	Alternate Function 1	Alternate Function 2	Alternate Function 3	Alternate Function 4	
31	V _{DDA}	—	—	—	—	—	Analog Supply Voltage. This pin must always be connected to the V _{DD} device pin. Bypass to V _{SSA} with 1.0μF.
32	V _{SSA}	—	—	—	—	—	Analog Ground
EP	V _{SS}	—	—	—	—	—	Exposed pad. This pad must be connected to V _{SS} . Refer to the Exposed Pads: A Brief Introduction application note for additional information.
35	RSTN	—	—	—	—	—	External System Reset Input (Active-Low). The device remains in reset while this pin is in its active state. When this pin transitions to its inactive state, the device performs a system reset and executes the first instruction. This pin has an internal pullup to the V _{DD} supply.
CLOCK PINS							
40	32KOUT	—	—	—	—	—	32kHz Crystal Oscillator Output. Connect a 32.768kHz crystal between 32KIN and 32KOUT. If a crystal is not used or if 32KIN is unused, do not connect.
1	32KIN	—	—	—	—	—	32kHz Crystal Oscillator Input. Connect a 32kHz crystal between 32KIN and 32KOUT for RTC operation. Optionally, this pin can be configured as the input for an external CMOS-level clock source. Load capacitors are not required. See External RTC Oscillator (ERTCO) in the Electrical Characteristics table and the RTC Crystal Guidelines section for more information.
36	HFXIN	—	—	—	—	—	16MHz–32MHz Crystal Oscillator Input. Connect the crystal between HFXIN and HFXOUT. Optionally, this pin can be configured as the input for an external square-wave source. See the Electrical Characteristics table for details of the crystal requirements. Refer to the MAX32672 User Guide for determination of the required external stability capacitors. Alternately, if this pin is unused, connect it to V _{SS} through a 10kΩ resistor.

40 TQFN-EP

PIN	NAME	FUNCTION MODE					FUNCTION
		Primary Signal (Default)	Alternate Function 1	Alternate Function 2	Alternate Function 3	Alternate Function 4	
37	HFXOUT	—	—	—	—	—	16MHz–32MHz Crystal Oscillator Output. Connect a crystal between HFXIN and HFXOUT. If a crystal is not used or if HFXIN is unused, do not connect.
GPIO AND ALTERNATE FUNCTION							
4	P0.0	SWDIO	SWDIO	—	TMR0C_IA	—	Serial-Wire Debug I/O; Timer0 Port Map C Input 32 Bits or Lower 16 Bits
5	P0.1	SWDCLK	SWDCLK	—	TMR0C_OA	—	Serial-Wire Debug Clock; Timer0 Port Map C Output 32 Bits or Lower 16 Bits
6	P0.2	P0.2	SPI0A_MISO	UART1B_RX	TMR1C_IA	—	SPI0 Controller In Target Out; UART1 Port Map B Receive; Timer1 Port Map C Input 32 Bits or Lower 16 Bits
7	P0.3	P0.3	SPI0A_MOSI	UART1B_TX	TMR1C_OA	—	SPI0 Controller Out Target In; UART1 Port Map B Transmit; Timer1 Port Map C Output 32 Bits or Lower 16 Bits
8	P0.4	P0.4	SPI0A_SCK	UART1B_CTS	TMR2C_IA	—	SPI0 Serial Clock; UART1 Port Map B CTS; Timer2 Port Map C Input 32 Bits or Lower 16 Bits
9	P0.5	P0.5	SPI0A_SS0	UART1B_RTS	TMR2C_OA	HFX_CLK_OUT	SPI0 Target Select 0; UART1 Port Map B RTS; Timer2 Port Map C Output; ERFO Buffered Output 32 Bits or Lower 16 Bits
10	P0.6	P0.6	I2C0A_SCL	LPTMR0B_IA	SPI0C_SS1	QEA	I2C0 Serial Clock; Low-Power Timer0 Port Map A Input 32 Bits or Lower 16 Bits; SPI0 Target Select 1; Quadrature Decoder Phase A Input
11	P0.7	P0.7	I2C0A_SDA	LPTMR0B_OA	SPI0C_SS2	QEB	I2C0 Serial Data; Low-Power Timer0 Port Map A Output 32 Bits or Lower 16 Bits; SPI0 Target Select 2; Quadrature Decoder Phase B Input
19	P0.8	P0.8	UART0A_RX	I2S0A_SDO	TMR0C_IA	AIN0/ AIN_C0_N/ AIN_C1_N	UART0 Port Map A Receive; I2S0 Serial Data Output; Timer0 Port Map C Input 32 Bits or Lower 16 Bits; Comparator Negative Input
20	P0.9	P0.9	UART0A_TX	I2S0A_LCLK	TMR0C_OA	AIN1/ AIN_C0_N/ AIN_C1_N	UART0 Port Map A Transmit; I2S0 Left/Right Clock; Timer0 Port Map C Output 32 Bits or Lower 16 Bits; Comparator Negative Input
21	P0.10	P0.10	UART0A_CTS	I2S0A_BCLK	TMR1C_IA	AIN2/ AIN_C0_N/ AIN_C1_N	UART0 Port Map A CTS; I2S0 Bit Clock; Timer Port Map C Input 32 Bits or Lower 16 Bits; Comparator Negative Input

40 TQFN-EP

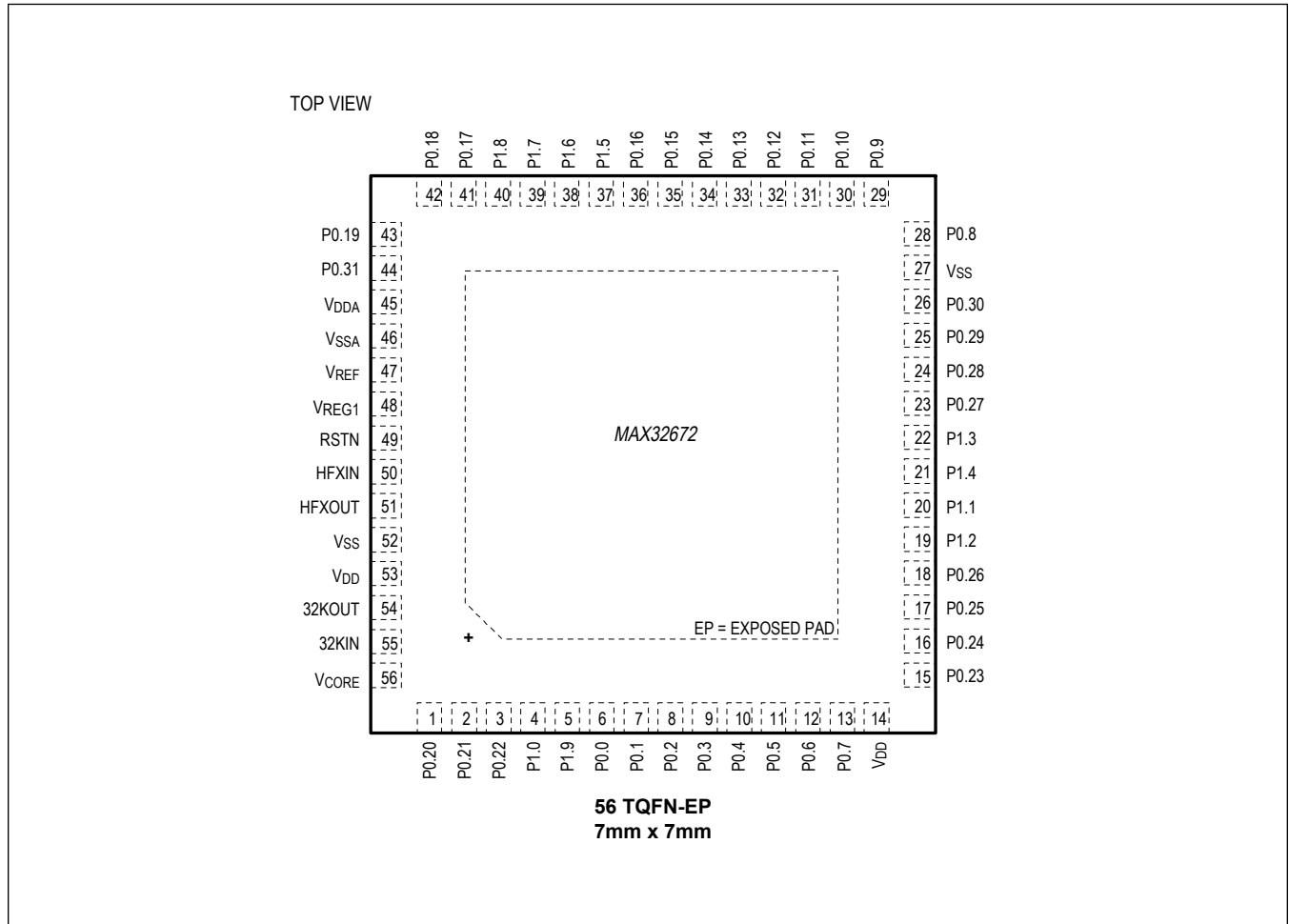
PIN	NAME	FUNCTION MODE					FUNCTION
		Primary Signal (Default)	Alternate Function 1	Alternate Function 2	Alternate Function 3	Alternate Function 4	
22	P0.11	P0.11	UART0A_RTS	I2S0A_SDI	TMR1C_OA	AIN3/ AIN_C0_N/ AIN_C1_N	UART0 Port Map A RTS; I2S0 Serial Data Input; Timer1 Port Map C Output 32 Bits or Lower 16 Bits; Comparator Negative Input
23	P0.12	P0.12	I2C1A_SCL	EXT_CLK2	TMR2C_IA	AIN4/ AIN_C0_P/ AIN_C1_P	I2C1 Serial Clock; Low-Power External Clock Input; Timer2 Port Map C Input 32 Bits or Lower 16 Bits; Comparator Positive Input
24	P0.13	P0.13	I2C1A_SDA	32KCAL	TMR2C_OA	AIN5/ AIN_C0_P/ AIN_C1_P	I2C1 Serial Data; 32.768kHz Calibration Output; Timer2 Port Map C Output 32 Bits or Lower 16 Bits; Comparator Positive Input
25	P0.14	P0.14	SPI1A_MISO	UART2B_RX	TMR3C_IA	AIN6/ AIN_C0_P/ AIN_C1_P	SPI0 Controller In Target Out; UART1 Port Map B Receive; Timer1 Port Map C Input 32 Bits or Lower 16 Bits
26	P0.15	P0.15	SPI1A_MOSI	UART2B_TX	TMR3C_OA	AIN7/ AIN_C0_P/ AIN_C1_P	SPI1 Controller Out Target In; UART2 Port Map B Transmit; Timer3 Port Map C Output 32 Bits or Lower 16 Bits; ADC Input 7/Comparator Positive Input
27	P0.16	P0.16	SPI1A_SCK	UART2B_CTS	TMR0C_IA	AIN8	SPI1 Serial Clock; UART2 Port Map B CTS; Timer0 Port Map C Input 32 Bits or Lower 16 Bits; ADC Input 8
28	P0.17	P0.17	SPI1A_SS0	UART2B_RTS	TMR0C_OA	AIN9	SPI1 Target Select 0; UART2 Port Map B RTS; Timer0 Port Map C Output 32 Bits or Lower 16 Bits; ADC Input 9
29	P0.18	P0.18	I2C2A_SCL	—	TMR1C_IA	AIN10	I2C2 Serial Clock; Timer1 Port Map C Input 32 Bits or Lower 16 Bits; ADC Input 10
30	P0.19	P0.19	I2C2A_SDA	—	TMR1C_OA	AIN11	I2C2 Serial Data; Timer1 Port Map C Output 32 Bits or Lower 16 Bits; ADC Input 11
3	P0.22	P0.22	LPTMR1A_IN	ADC_TRIG_B	TMR0C_IA	—	Low-Power Timer1 Port Map A Input; ADC Trigger Port Map B; Timer0 Port Map C Input 32 Bits or Lower 16 Bits
12	P0.23	P0.23	LPTMR1A_OUT	—	SPI0C_SS3	QEI	Low-Power Timer1 Port Map A Output; SPI0 Target Select 3; Quadrature Decoder Index Input
13	P0.24	P0.24	LPUART0A_CTS	UART0B_RX	I2S0A_SD0	QES	Low-Power UART0 CTS; UART0 Port Map B Receive; I2S0 Serial Data Output; Quadrature Decoder Capture Input

40 TQFN-EP

PIN	NAME	FUNCTION MODE					FUNCTION
		Primary Signal (Default)	Alternate Function 1	Alternate Function 2	Alternate Function 3	Alternate Function 4	
14	P0.25	P0.25	LPUART0A_RTS	UART0B_TX	I2S0A_LRC_LK	QMATCH	Low-Power UART0 RTS; UART0 Port Map B Transmit; I2S0 Left/Right Clock; Quadrature Decoder Match Output
15	P0.26	P0.26	LPUART0A_RX	UART0B_CTS	I2S0C_BCLK	QDIR	Low-Power UART0 Receive; UART0 Port Map B CTS; I2S0 Bit Clock; Quadrature Decoder Direction Output
16	P0.27	P0.27	LPUART0A_TX	UART0B_RTS	I2S0C_SDI	QERR	Low-Power UART0 Port Map A Transmit; UART0 Port Map B Request to Send; I2S0 Port Map C Serial Data Input; Quadrature Decoder Error Output
17	P0.28	P0.28	UART1A_RX	EXT_CLK1	TMR3C_IA	—	UART1 Port Map A Receive; Timer3 Port Map C Input 32 Bits or Lower 16 Bits; External Clock Input
18	P0.29	P0.29	UART1A_TX	SPI1_SS0	TMR3C_OA	ADC_TRIG_D	UART1 Port Map A Transmit; SPI1 Port Map B Target Select 0; Timer3 Port Map C Output 32 Bits or Lower 16 Bits; ADC Trigger Port Map D

Pin Configuration

56 TQFN-EP



Pin Description

PIN	NAME	FUNCTION MODE					FUNCTION
		Primary Signal (Default)	Alternate Function 1	Alternate Function 2	Alternate Function 3	Alternate Function 4	
POWER AND SYSTEM PINS (See Bypass Capacitor Recommendations)							
56	V _{CORE}	—	—	—	—	—	Digital Supply Voltage. Bypass with 1.0µF to V _{SS} .
48	V _{REG1}	—	—	—	—	—	Bypass with 4.7nF to V _{SS} . Do not connect this device pin to any other external circuitry.
14, 53	V _{DD}	—	—	—	—	—	GPIO Supply Voltage. Bypass with 4.7µF to V _{SS} .
27, 52	V _{SS}	—	—	—	—	—	Digital Ground

56 TQFN-EP

PIN	NAME	FUNCTION MODE					FUNCTION
		Primary Signal (Default)	Alternate Function 1	Alternate Function 2	Alternate Function 3	Alternate Function 4	
47	V _{REF}	—	—	—	—	—	ADC External Reference Input. This is the reference input for the ADC converter. Bypass with 1.0µF to V _{SS} .
45	V _{DDA}	—	—	—	—	—	Analog Supply Voltage. This pin must always be connected to the V _{DD} device pin. Bypass this pin to V _{SSA} with 1.0µF as close as possible to the package.
46	V _{SSA}	—	—	—	—	—	Analog Ground
49	RSTN	—	—	—	—	—	External System Reset Input (Active-Low). The device remains in reset while this pin is in its active state. When the pin transitions to its inactive state, the device performs a system reset and executes the first instruction. This pin has an internal pullup to the V _{DD} supply.
EP	V _{SS}	—	—	—	—	—	Exposed pad. This pad must be connected to V _{SS} . Refer to the Exposed Pads: A Brief Introduction application note for additional information.
CLOCK PINS							
54	32KOUT	—	—	—	—	—	32kHz Crystal Oscillator Output. Connect a 32.768kHz crystal between 32KIN and 32KOUT. If a crystal is not used or if 32KIN is unused, do not connect.
55	32KIN	—	—	—	—	—	32kHz Crystal Oscillator Input. Connect a 32kHz crystal between 32KIN and 32KOUT for RTC operation. Optionally, this pin can be configured as the input for an external CMOS-level clock source. Load capacitors are not required. See External RTC Oscillator (ERTCO) in the Electrical Characteristics table and the RTC Crystal Guidelines section for more information.

56 TQFN-EP

PIN	NAME	FUNCTION MODE					FUNCTION
		Primary Signal (Default)	Alternate Function 1	Alternate Function 2	Alternate Function 3	Alternate Function 4	
50	HFXIN	—	—	—	—	—	16MHz–32MHz Crystal Oscillator Input. Connect the crystal between HFXIN and HFXOUT. Optionally, this pin can be configured as the input for an external square-wave source. See the Electrical Characteristics table for details of the crystal requirements. Refer to the MAX32672 User Guide for determination of the required external stability capacitors. Alternately, if this pin is unused, connect it to V _{SS} through a 10kΩ resistor.
51	HFXOUT	—	—	—	—	—	16MHz–32MHz Crystal Oscillator Output. Connect a crystal between HFXIN and HFXOUT. If a crystal is not used or if HFXIN is unused, do not connect.
GPIO AND ALTERNATE FUNCTION							
6	P0.0	SWDIO	SWDIO	—	TMR0C_IA	—	Serial-Wire Debug I/O; Timer0 Port Map C Input 32 Bits or Lower 16 Bits
7	P0.1	SWDCLK	SWDCLK	—	TMR0C_OA	—	Serial-Wire Debug Clock; Timer0 Port Map C Output 32 Bits or Lower 16 Bits
8	P0.2	P0.2	SPI0A_MISO	UART1B_RX	TMR1C_IA	—	SPI0 Port Map A Controller In Target Out; UART1 Port Map B Receive; Timer1 Port Map C Input 32 Bits or Lower 16 Bits
9	P0.3	P0.3	SPI0A_MOSI	UART1B_TX	TMR1C_OA	—	SPI0 Controller Out Target In; UART1 Port Map B Transmit; Timer1 Port Map C Output 32 Bits or Lower 16 Bits
10	P0.4	P0.4	SPI0A_SCK	UART1B_CTS	TMR2C_IA	—	SPI0 Serial Clock; UART1 Port Map B CTS; Timer2 Port Map C Input 32 Bits or Lower 16 Bits
11	P0.5	P0.5	SPI0A_SS0	UART1B_RTS	TMR2C_OA	HFX_CLK_OUT	SPI0 Target Select 0; UART1 Port Map B RTS; Timer2 Port Map C Output 32 Bits or Lower 16 Bits; ERFO Buffered Output
12	P0.6	P0.6	I2C0A_SCL	LPTMR0B_IA	SPI0C_SS1	QEA	I2C0 Serial Clock; Low-Power Timer0 Port Map A Input 32 Bits or Lower 16 Bits; SPI0 Target Select 1; Quadrature Decoder Phase A Input
13	P0.7	P0.7	I2C0A_SDA	LPTMR0B_OA	SPI0C_SS2	QEB	I2C0 Serial Data; Low-Power Timer0 Port Map A Output 32 Bits or Lower 16 Bits; SPI0 Target Select 2; Quadrature Decoder Phase B Input

56 TQFN-EP

PIN	NAME	FUNCTION MODE					FUNCTION
		Primary Signal (Default)	Alternate Function 1	Alternate Function 2	Alternate Function 3	Alternate Function 4	
28	P0.8	P0.8	UART0A_RX	I2S0A_SDO	TMR0C_IA	AIN0/ AIN_C0_N/ AIN_C1_N	UART0 Port Map A Receive; I2S0 Serial Data Output; Timer0 Port Map C Input 32 Bits or Lower 16 Bits; Comparator Negative Input
29	P0.9	P0.9	UART0A_TX	I2S0A_LRC_LK	TMR0C_OA	AIN1/ AIN_C0_N/ AIN_C1_N	UART0 Port Map A Transmit; I2S0 Left/Right Clock; Timer0 Port Map C Output 32 Bits or Lower 16 Bits; Comparator Negative Input
30	P0.10	P0.10	UART0A_CTS	I2S0A_BCLK	TMR1C_IA	AIN2/ AIN_C0_N/ AIN_C1_N	UART0 Port Map A CTS; I2S0 Bit Clock; Timer1 Port Map C Input 32 Bits or Lower 16 Bits; Comparator Negative Input
31	P0.11	P0.11	UART0A_RTS	I2S0A_SDI	TMR1C_OA	AIN3/ AIN_C0_N/ AIN_C1_N	UART0 Port Map A RTS; I2S0 Serial Data Input; Timer1 Port Map C Output 32 Bits or Lower 16 Bits; Comparator Negative Input
32	P0.12	P0.12	I2C1A_SCL	EXT_CLK2	TMR2C_IA	AIN4/ AIN_C0_P/ AIN_C1_P	I2C1 Serial Clock; Low-Power External Clock Input; Timer2 Port Map C Input 32 Bits or Lower 16 Bits; Comparator Positive Input
33	P0.13	P0.13	I2C1A_SDA	32KCAL	TMR2C_OA	AIN5/ AIN_C0_P/ AIN_C1_P	I2C1 Serial Data; 32.768kHz Calibration Output; Timer2 Port Map C Output 32 Bits or Lower 16 Bits; Comparator Positive Input
34	P0.14	P0.14	SPI1A_MISO	UART2B_RX	TMR3C_IA	AIN6/ AIN_C0_P/ AIN_C1_P	SPI1 Controller In Target Out; UART2 Port Map B Receive; Timer3 Port Map C Input 32 Bits or Lower 16 Bits; Comparator Positive Input
35	P0.15	P0.15	SPI1A_MOSI	UART2B_TX	TMR3C_OA	AIN7/ AIN_C0_P/ AIN_C1_P	SPI1 Controller Out Target In; UART2 Port Map B Transmit; Timer3 Port Map C Output 32 Bits or Lower 16 Bits; ADC Input 7/Comparator Positive Input
36	P0.16	P0.16	SPI1A_SCK	UART2B_CTS	TMR0C_IA	AIN8	SPI1 Serial Clock; UART2 Port Map B CTS; Timer0 Port Map C Input 32 Bits or Lower 16 Bits; ADC Input 8
41	P0.17	P0.17	SPI1A_SS0	UART2B_RTS	TMR0C_OA	AIN9	SPI1 Target Select 0; UART2 Port Map B RTS; Timer0 Port Map C Output 32 Bits or Lower 16 Bits; ADC Input 9
42	P0.18	P0.18	I2C2A_SCL	—	TMR1C_IA	AIN10	I2C2 Serial Clock; Timer1 Port Map C Input 32 Bits or Lower 16 Bits; ADC Input 10
43	P0.19	P0.19	I2C2A_SDA	—	TMR1C_OA	AIN11	I2C2 Serial Data; Timer1 Port Map C Output 32 Bits or Lower 16 Bits; ADC Input 11

56 TQFN-EP

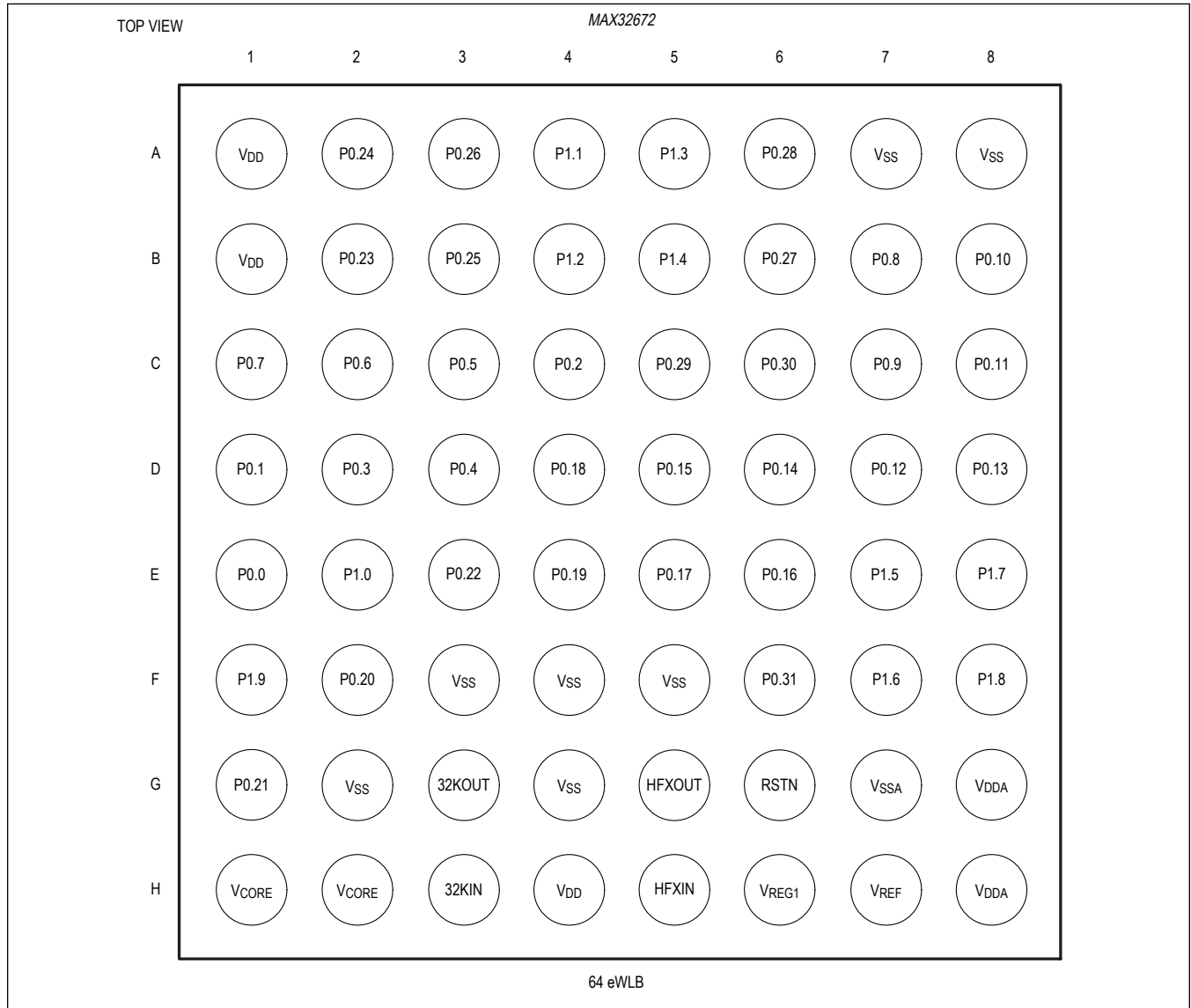
PIN	NAME	FUNCTION MODE					FUNCTION
		Primary Signal (Default)	Alternate Function 1	Alternate Function 2	Alternate Function 3	Alternate Function 4	
1	P0.20	P0.20	CM4_RX	—	TMR2C_IA	—	CM4 Receive Event Input; Timer2 Port Map C Input 32 Bits or Lower 16 Bits
2	P0.21	P0.21	CM4_TX	—	TMR2C_OA	—	CM4 Transmit Event Output; Timer2 Port Map C Output 32 Bits or Lower 16 Bits
3	P0.22	P0.22	LPTMR1A_I A	ADC_TRIG _B	TMR0C_IA	—	Low-Power Timer1 Port Map A Input; ADC Trigger Port Map B; Timer0 Port Map C Input 32 Bits or Lower 16 Bits
15	P0.23	P0.23	LPTMR1A_ OA	—	SPI0C_SS3	QEI	Low-Power Timer1 Port Map A Output; SPI0 Target Select 3; Quadrature Decoder Index Input
16	P0.24	P0.24	LPUART0A_ CTS	UART0B_R X	I2S0A_SD0	QES	Low-Power UART0 CTS; UART0 Port Map B Receive; I2S0 Serial Data Output; Quadrature Decoder Capture Input
17	P0.25	P0.25	LPUART0A_ RTS	UART0B_T X	I2S0A_LRC LK	QMATCH	Low-Power UART0 RTS; UART0 Port Map B Transmit; I2S0 Left/Right Clock; Quadrature Decoder Match Output
18	P0.26	P0.26	LPUART0A_ RX	UART0B_C TS	I2S0C_BCL K	QDIR	Low-Power UART0 Receive; UART0 Port Map B CTS; I2S0 Bit Clock; Quadrature Decoder Direction Output
23	P0.27	P0.27	LPUART0A_ TX	UART0B_R TS	I2S0C_SDI	QERR	Low-Power UART0 Port Map A Transmit; UART0 Port Map B Request to Send; I2S0 Port Map C Serial Data Input; Quadrature Decoder Error Output
24	P0.28	P0.28	UART1A_R X	EXT_CLK1	TMR3C_IA	—	UART1 Port Map A Receive; Timer3 Port Map C Input 32 Bits or Lower 16 Bits; External Clock Input
25	P0.29	P0.29	UART1A_T X	SPI1_SS0	TMR3C_OA	ADC_TRIG _D	UART1 Port Map A Transmit; SPI1 Port Map B Target Select 0; Timer3 Port Map C Output 32 Bits or Lower 16 Bits; ADC Trigger Port Map D
26	P0.30	P0.30	UART1A_C TS	—	TMR3C_IA	—	UART1 Port Map A Clear to Send; Timer3 Port Map C Input 32 Bits or Lower 16 Bits
44	P0.31	P0.31	UART1A_R TS	—	TMR3C_OA	—	UART1 Port Map A Request to Send; Timer3 Port Map C Output 32 Bits or Lower 16 Bits
4	P1.0	P1.0	—	—	TMR1C_IA	—	Timer1 Port Map C Input 32 Bits or Lower 16 Bits

56 TQFN-EP

PIN	NAME	FUNCTION MODE					FUNCTION
		Primary Signal (Default)	Alternate Function 1	Alternate Function 2	Alternate Function 3	Alternate Function 4	
20	P1.1	P1.1	SPI2A_MISO	UART0B_RX	TMR3C_OA	—	SPI2 Port Map A Controller In Target Out; UART0 Port Map B Receive; Timer3 Port Map C Output 32 Bits or Lower 16 Bits
19	P1.2	P1.2	SPI2A_MOSI	UART0B_TX	TMR3C_IA	DIV_CLK_OUT	SPI2 Port Map A Controller Out Target In; UART0 Port Map B Transmit; Timer3 Port Map C Input 32 Bits or Lower 16 Bits; Divided_Clock_Output
22	P1.3	P1.3	SPI2A_SCK	UART0B_CTS	—	—	SPI2 Port Map A Serial Clock; UART0 Port Map B Clear to Send
21	P1.4	P1.4	SPI2A_SS0	UART0B_RTS	TMR0C_OA	ADC_TRIG_D	SPI2 Port Map A Target Select 0; UART0 Port Map B Request to Send; Timer0 Port Map C Output 32 Bits or Lower 16 Bits; ADC Trigger Port Map D
37	P1.5	P1.5	UART2A_RX	—	—	—	UART2 Port Map A Receive
38	P1.6	P1.6	UART2A_TX	—	—	—	UART2 Port Map A Transmit
39	P1.7	P1.7	UART2A_CTS	—	—	—	UART2 Port Map A Clear to Send
40	P1.8	P1.8	UART2A_RTS	—	—	—	UART2 Port Map A Request to Send
5	P1.9	P1.9	—	—	TMR1C_OA	—	Timer1 Port Map C Output 32 Bits or Lower 16 Bits

Pin Configuration

64 eWLB



Pin Description

PIN	NAME	FUNCTION MODE					FUNCTION
		Primary Signal (Default)	Alternate Function 1	Alternate Function 2	Alternate Function 3	Alternate Function 4	
POWER AND SYSTEM PINS (See Bypass Capacitor Recommendations)							
H1, H2	VCORE	—	—	—	—	—	Digital Supply Voltage. Bypass with 1.0µF to VSS.

64 eWLB

PIN	NAME	FUNCTION MODE					FUNCTION
		Primary Signal (Default)	Alternate Function 1	Alternate Function 2	Alternate Function 3	Alternate Function 4	
H6	V _{REG1}	—	—	—	—	—	Bypass with 4.7nF to V _{SS} . Do not connect this device pin to any other external circuitry.
A1, B1, H4	V _{DD}	—	—	—	—	—	Supply Voltage. Bypass with 4.7μF to V _{SS} .
A7, A8, F3, F4, F5, G2, G4	V _{SS}	—	—	—	—	—	Digital Ground
H7	V _{REF}	—	—	—	—	—	ADC External Reference Input. This is the reference input for the ADC converter. Bypass with 1.0μF to V _{SS} .
G8, H8	V _{DDA}	—	—	—	—	—	Analog Supply Voltage. This pin must always be connected to the V _{DD} device pin. Bypass this pin to V _{SSA} with 1.0μF as close as possible to the package.
G7	V _{SSA}	—	—	—	—	—	Analog Ground
G6	RSTN	—	—	—	—	—	External System Reset Input (Active-Low). The device remains in reset while this pin is in its active state. When the pin transitions to its inactive state, the device performs a system reset and executes the first instruction. This pin has an internal pullup to the V _{DD} supply.
CLOCK PINS							
G3	32KOUT	—	—	—	—	—	32kHz Crystal Oscillator Output. Connect a 32.768kHz crystal between 32KIN and 32KOUT. If a crystal is not used or if 32KIN is unused, do not connect.
H3	32KIN	—	—	—	—	—	32kHz Crystal Oscillator Input. Connect a 32kHz crystal between 32KIN and 32KOUT for RTC operation. Optionally, this pin can be configured as the input for an external CMOS-level clock source. Load capacitors are not required. See External RTC Oscillator (ERTCO) in the Electrical Characteristics table and the RTC Crystal Guidelines section for more information.

64 eWLB

PIN	NAME	FUNCTION MODE					FUNCTION
		Primary Signal (Default)	Alternate Function 1	Alternate Function 2	Alternate Function 3	Alternate Function 4	
H5	HFXIN	—	—	—	—	—	16MHz–32MHz Crystal Oscillator Input. Connect the crystal between HFXIN and HFXOUT. Optionally, this pin can be configured as the input for an external square-wave source. See the Electrical Characteristics table for details of the crystal requirements. Refer to the MAX32672 User Guide for determination of the required external stability capacitors. Alternately, if this pin is unused, connect it to V _{SS} through a 10kΩ resistor.
G5	HFXOUT	—	—	—	—	—	16MHz–32MHz Crystal Oscillator Output. Connect a crystal between HFXIN and HFXOUT. If a crystal is not used or if HFXIN is unused, do not connect.
GPIO AND ALTERNATE FUNCTION							
E1	P0.0	SWDIO	SWDIO	—	TMR0C_IA	—	Serial-Wire Debug I/O; Timer0 Port Map C Input 32 Bits or Lower 16 Bits
D1	P0.1	SWDCLK	SWDCLK	—	TMR0C_OA	—	Serial-Wire Debug Clock; Timer0 Port Map C Output 32 Bits or Lower 16 Bits
C4	P0.2	P0.2	SPI0A_MISO	UART1B_RX	TMR1C_IA	—	SPI0 Port Map A Controller In Target Out; UART1 Port Map B Receive; Timer1 Port Map C Input 32 Bits or Lower 16 Bits
D2	P0.3	P0.3	SPI0A_MOSI	UART1B_TX	TMR1C_OA	—	SPI0 Controller Out Target In; UART1 Port Map B Transmit; Timer1 Port Map C Output 32 Bits or Lower 16 Bits
D3	P0.4	P0.4	SPI0A_SCK	UART1B_CTS	TMR2C_IA	—	SPI0 Serial Clock; UART1 Port Map B CTS; Timer2 Port Map C Input 32 Bits or Lower 16 Bits
C3	P0.5	P0.5	SPI0A_SS0	UART1B_RTS	TMR2C_OA	HFX_CLK_OUT	SPI0 Target Select 0; UART1 Port Map B RTS; Timer2 Port Map C Output 32 Bits or Lower 16 Bits; ERFO Buffered Output
C2	P0.6	P0.6	I2C0A_SCL	LPTMR0B_IA	SPI0C_SS1	QEA	I2C0 Serial Clock; Low-Power Timer0 Port Map A Input 32 Bits or Lower 16 Bits; SPI0 Target Select 1; Quadrature Decoder Phase A Input
C1	P0.7	P0.7	I2C0A_SDA	LPTMR0B_OA	SPI0C_SS2	QEB	I2C0 Serial Data; Low-Power Timer0 Port Map A Output 32 Bits or Lower 16 Bits; SPI0 Target Select 2; Quadrature Decoder Phase B Input

64 eWLB

PIN	NAME	FUNCTION MODE					FUNCTION
		Primary Signal (Default)	Alternate Function 1	Alternate Function 2	Alternate Function 3	Alternate Function 4	
B7	P0.8	P0.8	UART0A_RX	I2S0A_SDO	TMR0C_IA	AIN0/ AIN_C0_N/ AIN_C1_N	UART0 Port Map A Receive; I2S0 Serial Data Output; Timer0 Port Map C Input 32 Bits or Lower 16 Bits; Comparator Negative Input
C7	P0.9	P0.9	UART0A_TX	I2S0A_LRC_LK	TMR0C_OA	AIN1/ AIN_C0_N/ AIN_C1_N	UART0 Port Map A Transmit; I2S0 Left/Right Clock; Timer0 Port Map C Output 32 Bits or Lower 16 Bits; Comparator Negative Input
B8	P0.10	P0.10	UART0A_CTS	I2S0A_BCLK	TMR1C_IA	AIN2/ AIN_C0_N/ AIN_C1_N	UART0 Port Map A CTS; I2S0 Bit Clock; Timer1 Port Map C Input 32 Bits or Lower 16 Bits; Comparator Negative Input
C8	P0.11	P0.11	UART0A_RTS	I2S0A_SDI	TMR1C_OA	AIN3/ AIN_C0_N/ AIN_C1_N	UART0 Port Map A RTS; I2S0 Serial Data Input; Timer1 Port Map C Output 32 Bits or Lower 16 Bits; Comparator Negative Input
D7	P0.12	P0.12	I2C1A_SCL	EXT_CLK2	TMR2C_IA	AIN4/ AIN_C0_P/ AIN_C1_P	I2C1 Serial Clock; Low-Power External Clock Input; Timer2 Port Map C Input 32 Bits or Lower 16 Bits; Comparator Positive Input
D8	P0.13	P0.13	I2C1A_SDA	32KCAL	TMR2C_OA	AIN5/ AIN_C0_P/ AIN_C1_P	I2C1 Serial Data; 32.768kHz Calibration Output; Timer2 Port Map C Output 32 Bits or Lower 16 Bits; Comparator Positive Input
D6	P0.14	P0.14	SPI1A_MISO	UART2B_RX	TMR3C_IA	AIN6/ AIN_C0_P/ AIN_C1_P	SPI1 Controller In Target Out; UART2 Port Map B Receive; Timer3 Port Map C Input 32 Bits or Lower 16 Bits; Comparator Positive Input
D5	P0.15	P0.15	SPI1A_MOSI	UART2B_TX	TMR3C_OA	AIN7/ AIN_C0_P/ AIN_C1_P	SPI1 Controller Out Target In; UART2 Port Map B Transmit; Timer3 Port Map C Output 32 Bits or Lower 16 Bits; ADC Input 7/Comparator Positive Input
E6	P0.16	P0.16	SPI1A_SCK	UART2B_CTS	TMR0C_IA	AIN8	SPI1 Serial Clock; UART2 Port Map B CTS; Timer0 Port Map C Input 32 Bits or Lower 16 Bits; ADC Input 8
E5	P0.17	P0.17	SPI1A_SS0	UART2B_RTS	TMR0C_OA	AIN9	SPI1 Target Select 0; UART2 Port Map B RTS; Timer0 Port Map C Output 32 Bits or Lower 16 Bits; ADC Input 9
D4	P0.18	P0.18	I2C2A_SCL	—	TMR1C_IA	AIN10	I2C2 Serial Clock; Timer1 Port Map C Input 32 Bits or Lower 16 Bits; ADC Input 10
E4	P0.19	P0.19	I2C2A_SDA	—	TMR1C_OA	AIN11	I2C2 Serial Data; Timer1 Port Map C Output 32 Bits or Lower 16 Bits; ADC Input 11

64 eWLB

PIN	NAME	FUNCTION MODE					FUNCTION
		Primary Signal (Default)	Alternate Function 1	Alternate Function 2	Alternate Function 3	Alternate Function 4	
F2	P0.20	P0.20	CM4_RX	—	TMR2C_IA	—	CM4 Receive Event Input; Timer2 Port Map C Input 32 Bits or Lower 16 Bits
G1	P0.21	P0.21	CM4_TX	—	TMR2C_OA	—	CM4 Transmit Event Output; Timer2 Port Map C Output 32 Bits or Lower 16 Bits
E3	P0.22	P0.22	LPTMR1A_I A	ADC_TRIG B	TMR0C_IA	—	Low-Power Timer1 Port Map A Input; ADC Trigger Port Map B; Timer0 Port Map C Input 32 Bits or Lower 16 Bits
B2	P0.23	P0.23	LPTMR1A_ OA	—	SPI0C_SS3	QEI	Low-Power Timer1 Port Map A Output; SPI0 Target Select 3; Quadrature Decoder Index Input
A2	P0.24	P0.24	LPUART0A_ CTS	UART0B_R X	I2S0A_SD0	QES	Low-Power UART0 CTS; UART0 Port Map B Receive; I2S0 Serial Data Output; Quadrature Decoder Capture Input
B3	P0.25	P0.25	LPUART0A_ RTS	UART0B_T X	I2S0A_LRC LK	QMATCH	Low-Power UART0 RTS; UART0 Port Map B Transmit; I2S0 Left/Right Clock; Quadrature Decoder Match Output
A3	P0.26	P0.26	LPUART0A_ RX	UART0B_C TS	I2S0C_BCL K	QDIR	Low-Power UART0 Receive; UART0 Port Map B CTS; I2S0 Bit Clock; Quadrature Decoder Direction Output
B6	P0.27	P0.27	LPUART0A_ TX	UART0B_R TS	I2S0C_SDI	QERR	Low-Power UART0 Port Map A Transmit; UART0 Port Map B Request to Send; I2S0 Port Map C Serial Data Input; Quadrature Decoder Error Output
A6	P0.28	P0.28	UART1A_R X	EXT_CLK1	TMR3C_IA	—	UART1 Port Map A Receive; Timer3 Port Map C Input 32 Bits or Lower 16 Bits; External Clock Input
C5	P0.29	P0.29	UART1A_T X	SPI1_SS0	TMR3C_OA	ADC_TRIG D	UART1 Port Map A Transmit; SPI1 Port Map B Target Select 0; Timer3 Port Map C Output 32 Bits or Lower 16 Bits; ADC Trigger Port Map D
C6	P0.30	P0.30	UART1A_C TS	—	TMR3C_IA	—	UART1 Port Map A Clear to Send; Timer3 Port Map C Input 32 Bits or Lower 16 Bits
F6	P0.31	P0.31	UART1A_R TS	—	TMR3C_OA	—	UART1 Port Map A Request to Send; Timer3 Port Map C Output 32 Bits or Lower 16 Bits
E2	P1.0	P1.0	—	—	TMR1C_IA	—	Timer1 Port Map C Input 32 Bits or Lower 16 Bits

64 eWLB

PIN	NAME	FUNCTION MODE					FUNCTION
		Primary Signal (Default)	Alternate Function 1	Alternate Function 2	Alternate Function 3	Alternate Function 4	
A4	P1.1	P1.1	SPI2A_MISO	UART0B_RX	TMR3C_OA	—	SPI2 Port Map A Controller In Target Out; UART0 Port Map B Receive; Timer3 Port Map C Output 32 Bits or Lower 16 Bits
B4	P1.2	P1.2	SPI2A_MOSI	UART0B_TX	TMR3C_IA	DIV_CLK_OUT	SPI2 Port Map A Controller Out Target In; UART0 Port Map B Transmit; Timer3 Port Map C Input 32 Bits or Lower 16 Bits; Divided_Clock_Output
A5	P1.3	P1.3	SPI2A_SCK	UART0B_CTS	—	—	SPI2 Port Map A Serial Clock; UART0 Port Map B Clear to Send
B5	P1.4	P1.4	SPI2A_SS0	UART0B_RTS	TMR0C_OA	ADC_TRIG_D	SPI2 Port Map A Target Select 0; UART0 Port Map B Request to Send; Timer0 Port Map C Output 32 Bits or Lower 16 Bits; ADC Trigger Port Map D
E7	P1.5	P1.5	UART2A_RX	—	—	—	UART2 Port Map A Receive
F7	P1.6	P1.6	UART2A_TX	—	—	—	UART2 Port Map A Transmit
E8	P1.7	P1.7	UART2A_CTS	—	—	—	UART2 Port Map A Clear to Send
F8	P1.8	P1.8	UART2A_RTS	—	—	—	UART2 Port Map A Request to Send
F1	P1.9	P1.9	—	—	TMR1C_OA	—	Timer1 Port Map C Output 32 Bits or Lower 16 Bits

Detailed Description

The MAX32672 is an ultra-low-power, cost-effective, highly integrated microcontroller designed for battery-powered devices and wireless sensors. It combines a flexible and versatile power management unit with the powerful Arm Cortex-M4 processor with FPU. The device enables designs with complex sensor processing without compromising battery life. It also offers legacy designs an easy and cost-optimal upgrade path from 8- or 16-bit microcontrollers. Error correction coding (single error correction, double error detection, or SEC-DED) for flash and SRAM provides extremely reliable code execution. The device integrates 1MB of dual-bank flash memory and 200KB (160KB with ECC enabled) of SRAM to accommodate application and sensor code. A 1Msps, 12-channel, 12-bit SAR ADC is integrated for the digitization of analog sensor signals or other analog measurements.

The device features five powerful and flexible power modes. It can operate from a single-supply battery or a dual-supply typically provided by a PMIC. The I²C ports support Standard, Fast, Fast-mode Plus, and High Speed modes, operating up to 3400kbps. The SPI ports can run up to 50MHz in both target and controller mode. Four general-purpose 32-bit timers, two low-power 32-bit timers, two windowed watchdog timers, and a real-time clock (RTC) are also provided. An I²S interface provides digital audio streaming to a codec.

Arm Cortex-M4 Processor with FPU Engine

The Arm Cortex-M4 with FPU processor combines high-efficiency signal processing functionality with low power, low cost, and ease of use.

The Arm Cortex-M4 with FPU DSP supports single instruction, multiple data (SIMD) path DSP extensions, providing:

- Four parallel 8-bit add/sub
- Floating point single precision
- Two parallel 16-bit add/sub
- Two parallel MACs
- 32- or 64-bit accumulate
- Signed, unsigned, data with or without saturation

Memory

Internal Flash Memory

The 1MB internal flash memory with error correction provides nonvolatile storage of program and data memory. The flash is organized in two equal sizes, physically separate banks (dual bank) to allow execute-while-write operation and facilitate "live FW upgrades."

Internal SRAM

The internal 200KB SRAM provides low-power retention of application information in all power modes except STORAGE. The SRAM can be configured as 160KB with Error Correction Coded (ECC) SEC-DED for enhanced system reliability. The SRAM can be divided into granular banks that create a flexible SRAM retention architecture. This data retention feature is optional and is configurable. This granularity allows the application to minimize its power consumption by only retaining the essential data.

Clocking Scheme

The internal primary oscillator (IPO) operates at a nominal frequency of 100MHz.

Optionally, the software can select one of five other oscillators depending upon power needs:

- 80kHz oscillator (INRO)
- 32.768kHz oscillator (external crystal required) (ERTC0)
- 7.3728MHz oscillator (IBRO)
- 16MHz–32MHz oscillator (external crystal required) (ERFO)
- External square-wave clocks up to 50MHz

This clock is the primary clock source for digital logic and peripherals.

An external 32.768kHz timebase is required when using the RTC. A separate external square-wave clock can be used as a source for LPTMR0/1 and LPUART0 in the Always-On domain.

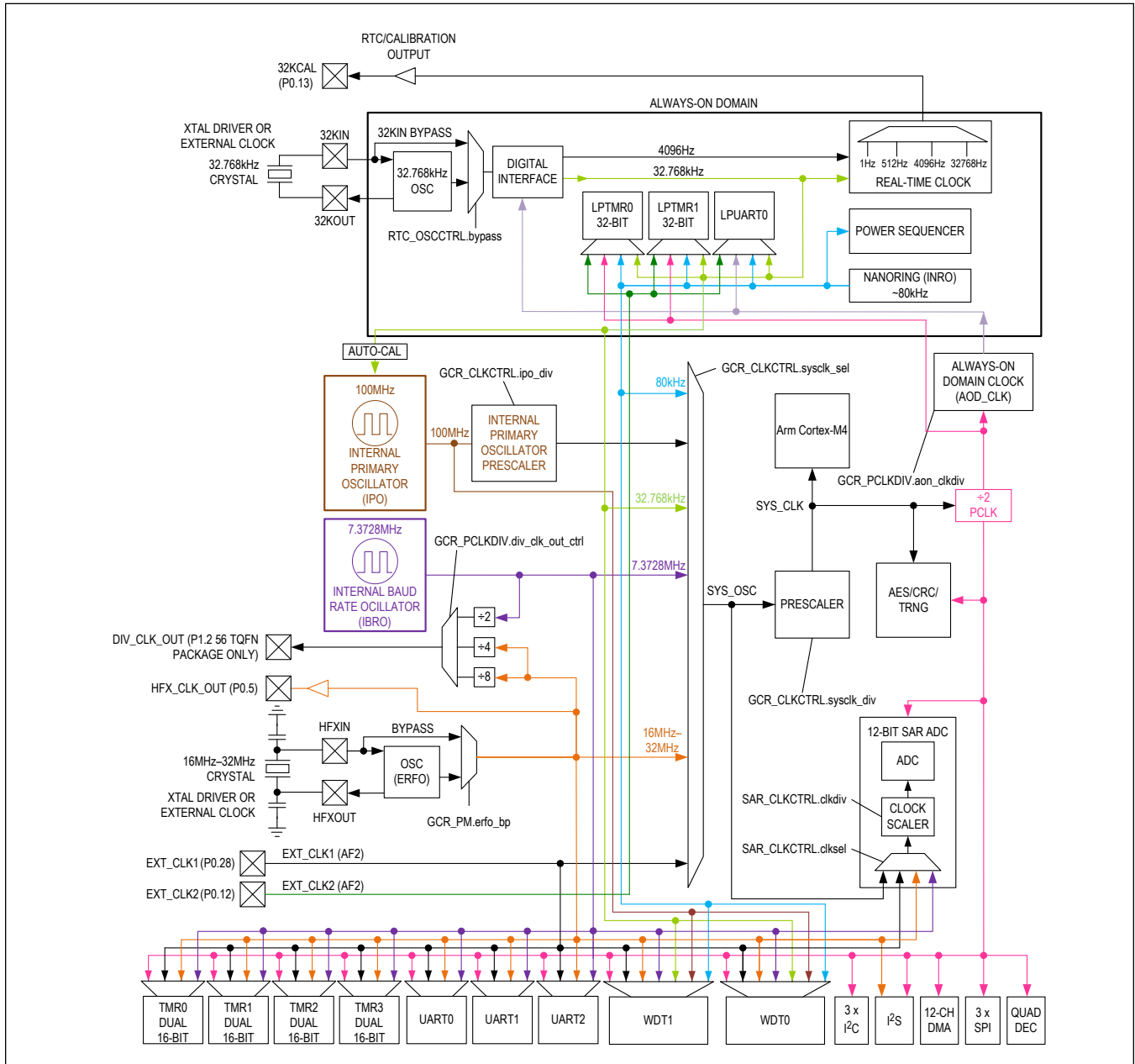


Figure 7. Clocking Scheme

General-Purpose I/O and Special Function Pins

Most general-purpose I/O (GPIO) pins share a firmware-controlled I/O function and one or more special function signals associated with peripheral modules. The software can individually enable pins for GPIO or peripheral special function use. Configuring a pin as a special function usually supersedes its use as a software-controlled I/O. Multiplexing between peripheral and GPIO functions is usually static but can also be done dynamically by software. The electrical characteristics of a GPIO pin are identical whether the pin is configured as an I/O or special function, except where

explicitly noted in the [Electrical Characteristics](#) tables.

In GPIO mode, each port pin has an interrupt function that can be independently enabled by software and configured as a level- or edge-sensitive interrupt. All GPIOs share the same interrupt vector. Some packages do not have all of the GPIOs available.

When configured as GPIOs, the following features are provided. These features can be independently enabled or disabled on a per-pin basis.

- Configurable as input, output, bidirectional, or high-impedance
- Optional internal pullup resistor or internal pulldown resistor when configured as input
- Exit from low-power modes on rising or falling edge
- Selectable standard- or high-drive modes

The MAX32672 provides up to 42 GPIOs. See the [Ordering Information](#) table for the specific number of GPIOs by part number.

Standard DMA Controller

The standard direct memory access (DMA) controller provides a means to offload the CPU for memory/peripheral data transfer leading to a more power-efficient system. It allows automatic one-way data transfer between two entities. These entities can be either memories (flash or SRAM) or peripherals. The transfers are done without using CPU resources. The following transfer modes are supported:

- 12 channel
- Peripheral to memory
- Memory to peripheral
- Memory to memory
- Event support

All DMA transactions consist of an AHB burst read into the DMA FIFO followed immediately by an AHB burst write from the FIFO.

Power Management

Power Management Unit

The power management unit (PMU) provides the optimal mix of high-performance and low-power consumption. It exercises intelligent, precise control of power distribution to the CPU and peripheral circuitry.

The PMU provides the following features:

- User-configurable system clock
- Automatic enabling and disabling of crystal oscillators based on power mode
- Multiple clock domains
- Fast wakeup of powered-down peripherals when activity detected

ACTIVE Mode

In this mode, the CPU executes software and all digital and analog peripherals are available on demand. Dynamic clocking disables local clocks in peripherals that are not in use. This mode corresponds to the Arm Cortex-M4 processor with FPU ACTIVE mode.

SLEEP Mode

This mode allows for lower power consumption operations than ACTIVE mode. The CPU is asleep, peripherals are on, and the standard DMA block is available. The GPIO or any active peripheral can be configured to interrupt and cause a transition to the ACTIVE mode. This mode corresponds to the Arm Cortex-M4 processor with FPU SLEEP mode.

DEEPSLEEP Mode

In this mode, CPU and critical peripheral configuration settings and all volatile memory are preserved.

The device status is as follows:

- CPU is powered down. System state and all SRAM is retained.
- The GPIO pins retain their state.
- The transition from DEEPSLEEP to ACTIVE mode is faster than the transition from BACKUP mode because system initialization is not required.
- The system oscillators are all disabled to provide additional power savings over SLEEP mode.
- LPUART0 and LPTMR0/1 can be active and are optional wake-up sources.

This mode corresponds to the Arm Cortex-M4 with FPU DEEPSLEEP mode.

BACKUP Mode

This mode places the CPU in a static, low-power state. BACKUP mode supports the same wake-up sources as DEEPSLEEP mode.

The device status is as follows:

- CPU is powered down.
- SRAM retention as per [Table 1](#).
- LPUART0 and LPTMR0/1 can be active and are optional wake-up sources.

Table 1. BACKUP Mode RAM Retention

RAM BLOCK	SRAM SIZE	RETAINED SRAM	TYPE
SYSRAM0	20KB	18KB	16KB + 4KB ECC
SYSRAM1	20KB	14KB	16KB + 4KB ECC
SYSRAM2	80KB	80KB	64KB + 16KB ECC
SYSRAM3	80KB	80KB	64KB + 16KB ECC

Note: The boot ROM uses certain ranges of SRAM during a system reset, watchdog timer reset, an external reset, and exiting from BACKUP. The devices use this RAM to perform system checks. As a result, not all of each RAM can be retained during an exit from BACKUP.

STORAGE Mode

The device status is as follows:

- CPU is powered off.
- All peripherals are powered off.
- Wake-up from GPIO interrupt.
- The RTC can be enabled by software before entering STORAGE mode.
- No SRAM retention.

Real-Time Clock (RTC)

An RTC keeps the time of day in absolute seconds. The 32-bit seconds register can count up to approximately 136 years and be translated to calendar format by application software.

The RTC provides a time-of-day alarm programmed by software to any future value between 1 second and 12 days. When configured for long intervals, the time-of-day alarm can be used as a power-saving timer, allowing the device to remain in an extremely low-power mode but still awaken periodically to perform assigned tasks. Software can program a second independent 32-bit 1/4096 sub-second alarm between 244 μ s and 12 days. Both can be configured as recurring alarms. When enabled, either alarm can cause an interrupt or wake the device from most low-power modes.

The time base is generated by a 32.768kHz crystal or an external clock source that must meet the electrical/timing requirements in the [Electrical Characteristics](#) table.

An RTC calibration feature allows the software to compensate for minor variations in the RTC oscillator, crystal, temperature, and board layout. Enabling the 32KCAL alternate function outputs a timing signal derived from the RTC. External hardware can measure the frequency and adjust the RTC frequency in increments of ± 127 ppm with a 1ppm resolution. Under most circumstances, the oscillator does not require any calibration.

Windowed Watchdog Timer (WDT)

Microcontrollers are often used in harsh environments where electrical noise and electromagnetic interference (EMI) are abundant. Without proper safeguards, these hazards can disturb device operation and corrupt program execution. One of the most effective countermeasures is the windowed WDT, which detects runaway code or system unresponsiveness.

The WDT is a 32-bit, free-running counter with a configurable prescaler. When enabled, the WDT must be periodically reset by the application software. Failure to reset the WDT within the user-configurable timeout period indicates that the application software is not operating correctly and results in a WDT timeout. A WDT timeout can trigger an interrupt, system reset, or both. Either response forces the instruction pointer to a known good location before resuming instruction execution. The windowed timeout period feature provides more detailed monitoring of system operation, requiring the WDT to be reset within a specific time window.

One or more instances of the peripheral are provided, as shown in [Table 2](#). See the [Ordering Information](#) table for the specific instances available by part number.

Table 2. MAX32672 Watchdog Timer Instances

INSTANCE	OPERATING MODES	CLOCK SOURCE							
		PCLK	IPO	IBRO	ERFO	INRO	ERTCO	EXT_CLK1	EXT_CLK2
WDT0	ACTIVE SLEEP	YES	YES	YES	YES	YES	YES	YES	NO
WDT1	ACTIVE SLEEP	YES	YES	YES	YES	YES	YES	YES	NO

32-Bit Timer/Counter/PWM (TMR, LPTMR)

General-purpose, 32-bit timers provide timing, capture/compare, or generate pulse-width modulated (PWM) signals with minimal software interaction.

The timer provides the following features:

- 32-bit up auto-reload
- Programmable prescaler
- PWM output generation
- Capture, compare, and capture/compare capability
- External pin multiplexed with GPIO for timer input, clock gating, or capture
- Timer output pin
- TMR instances configurable as 2 × 16-bit general-purpose timers
- Timer interrupt

The I/O functionality is supported for all of the timer pins. Note that the function of a port can be multiplexed with other functions on the GPIO pins, so it might not be possible to use all the ports depending on the device configuration.

Instances of the peripheral are shown in [Table 3](#). See the [Ordering Information](#) table for the number of instances available by part number.

Table 3. MAX32672 Timer Instances

INSTANCE	SINGLE 32-BIT	DUAL 16-BIT	OPERATING MODES	CLOCK SOURCE						
				PCLK	IBRO	ERFO	INRO	ERTCO	EXT_CLK1	EXT_CLK2
TMR0	YES	YES	ACTIVE	YES	YES	YES	NO	NO	YES	NO
TMR1	YES	YES	ACTIVE	YES	YES	YES	NO	NO	YES	NO
TMR2	YES	YES	ACTIVE	YES	YES	YES	NO	NO	YES	NO
TMR3	YES	YES	ACTIVE	YES	YES	YES	NO	NO	YES	NO
LPTMR0	YES	NO	ACTIVE SLEEP	AOD_CLK	NO	NO	YES	YES	NO	YES
			DEEPSLEEP BACKUP	NO						

Table 3. MAX32672 Timer Instances (continued)

INSTANCE	SINGLE 32-BIT	DUAL 16-BIT	OPERATING MODES	CLOCK SOURCE						
				PCLK	IBRO	ERFO	INRO	ERTCO	EXT_CLK1	EXT_CLK2
LPTMR1	YES	NO	ACTIVE SLEEP	AOD_CLK	NO	NO	YES	YES	NO	YES
			DEEPSLEEP BACKUP	NO						

Serial Peripherals

I²C Interface

The I²C interface is a bidirectional, two-wire serial bus that provides a medium-speed communications network. It can operate as a one-to-one, one-to-many, or many-to-many communications medium. The I²C controller/target interfaces to a wide variety of I²C-compatible peripherals. These engines support Standard-mode, Fast-mode, Fast-mode Plus, and High-speed mode I²C speeds. It provides the following features:

- Controller or target mode operation
 - Supports up to four different target addresses in target mode
- Supports standard 7-bit addressing or 10-bit addressing
- RESTART condition
- Interactive receive mode
- Transmit FIFO preloading
- Support for clock stretching to allow slower target devices to operate on higher speed busses
- Multiple transfer rates
 - Standard-mode: 100kbps
 - Fast-mode: 400kbps
 - Fast-mode Plus: 1000kbps
 - High-speed mode: 3400kbps
- Internal filter to reject noise spikes
- Receive FIFO depth of 8 bytes
- Transmit FIFO depth of 8 bytes

One or more instances of the peripheral are provided, as shown in [Table 4](#). See the [Ordering Information](#) table for the specific instances available by part number.

Table 4. MAX32672 I²C Instances

INSTANCE	POWER MODES
I2C0	ACTIVE SLEEP
I2C1	ACTIVE SLEEP
I2C2	ACTIVE SLEEP

Serial Peripheral Interface (SPI)

The SPI is a highly configurable, flexible, and efficient synchronous interface between multiple SPI devices on a single bus. The bus uses a single clock signal and multiple data signals and one or more target select lines to address only the intended target device. The SPI operates independently and requires minimal processor overhead.

The provided SPI peripherals can operate in either controller or target mode and provide the following features:

- SPI modes 0, 1, 2, and 3 for single-bit communication
- 3- or 4-wire mode for single-bit target device communication
- Full-duplex operation in single-bit, 4-wire mode

- Multicontroller mode fault detection
- Programmable interface timing
- Programmable SCK frequency and duty cycle
- 32-byte transmit and receive FIFOs
- Target select assertion and deassertion timing relative to leading/trailing SCK edge

One or more instances of the peripheral are provided, as shown in [Table 5](#). See the [Ordering Information](#) table for the specific instances available by part number.

Table 5. MAX32672 SPI Instances

INSTANCE	DATA	TARGET SELECT LINES	MAXIMUM FREQUENCY (CONTROLLER MODE) (MHz)	MAXIMUM FREQUENCY (TARGET MODE) (MHz)
SPI0	3 wire, 4 wire	4	50	50
SPI1	3 wire, 4 wire	1	50	50
SPI2	3 wire, 4 wire	1	50	50

I²S Interface

The I²S interface is a bidirectional, 4-wire serial bus that provides serial communications for codecs and audio amplifiers compliant with the I²S Bus Specification, June 5, 1996. It provides the following features:

- Target mode operation
- 8-, 16-, 24-, and 32-bit frames
- Receive and transmit DMA support
- Wakeup on FIFO status (full/empty/threshold)
- Word select polarity control
- First-bit position selection
- Interrupts generated for FIFO status
- Receiver FIFO depth of 32 bytes
- Transmitter FIFO depth of 32 bytes

The MAX32672 provides one instance of the I²S peripheral (I2S0).

UART

The universal asynchronous receiver-transmitter (UART, LPUART) interface supports full-duplex asynchronous communication with optional hardware flow control (HFC) modes to prevent data overruns. If HFC mode is enabled on a given port, the system uses two extra pins to implement the industry-standard request-to-send (RTS) and clear-to-send (CTS) flow control signaling. Each LPUART is individually programmable.

- 2-wire interface or 4-wire interface with flow control
- 8-byte send/receive FIFO
- Full-duplex operation for asynchronous data transfers
- Interrupts available for frame error, parity error, CTS, receive FIFO overrun, and FIFO full/partially full conditions
- Automatic parity and frame error detection
- Independent baud-rate generator
- Programmable 9th-bit parity support
- Multidrop support
- Start/stop bit support
- Hardware flow control using RTS/CTS
- Two DMA channels can be connected (read and write FIFOs)
- Programmable word size (5 bits to 8 bits)

LPUART0 is capable of operation in SLEEP, DEEPSLEEP, and BACKUP low-power modes.

One or more instances of the peripheral are provided, as shown in [Table 6](#). See the [Ordering Information](#) table for the

specific instances available by part number.

Table 6. MAX32672 UART Instances

INSTANCE	MODE	CLOCK SOURCE						
		PCLK	IBRO	ERFO	INRO	ERTCO	EXT_CLK1	EXT_CLK2
UART0	ACTIVE	YES	YES	YES	NO	NO	YES	NO
UART1	ACTIVE	YES	YES	YES	NO	NO	YES	NO
UART2	ACTIVE	YES	YES	YES	NO	NO	YES	NO
LPUART0	ACTIVE SLEEP	AOD_CLK	NO	NO	YES	YES	NO	YES
	DEEPSLEEP BACKUP	NO						

Quadrature Decoder

The quadrature decoder converts rotational information derived from optical or magnetic encoders to counts representing a shaft's angle and rotational velocity.

The following features are provided:

- x1, x2, and x4 mode selection
- 32-bit counter
- Index input
- Rotational direction and error outputs
- On-chip deglitch filters

The MAX32672 provides one instance of the quadrature decoder (QDEC).

Analog-to-Digital Converter (ADC)

The 12-bit SAR ADC provides an integrated reference generator and a single-ended input multiplexer. The multiplexer selects an input channel from one of the 12 external analog input signals (AIN0–AIN11), the internal power supply inputs, or an internal temperature sensor.

The reference for the ADC can be:

- External V_{REF} input
- V_{DDA} analog supply

The ADC measures the following voltages:

- AIN[11:0] up to 3.3V
- V_{DD}
- V_{CORE}
- V_{DDA}
- Internal die temperature sensor input

Security

AES

The dedicated hardware-based AES engine supports the following algorithms:

- AES-128
- AES-192
- AES-256

AES keys can be generated by the TRNG, and software can store the keys in a dedicated protected flash region. If keys are stored in the dedicated protected flash region, the keys are automatically loaded to the AES system key registers on power-on reset and system reset. The AES key registers can not be read by software.

Secure Cryptographic Accelerator (SCA)

This hardware accelerator is dedicated to asymmetrical cryptographic operations, specially optimized ECDSA P-256 curve cryptographic operations such as signatures and verifications. It also accelerates low-level operations such as modular addition, subtraction, multiplication, division, and scalar operations.

The following features are provided:

- ECC operations of 256, 384, and 521 bits
- Pointer-based architecture to easily access SCA memory without memory transfer overhead
- Support for Jacobian and affine coordinates
- SPA, DPA, and fault attack countermeasures
- Precalculated point support to speed ECC processing (ECDSA P-256)
- EdDSA algorithms such as Ed25519 and Ed448 can also be implemented (supported in TLS 1.3), as well as X25519
- Dedicated input for the private key

True Random Number Generator (TRNG)

Random numbers are a vital part of a secure application, providing random numbers useable for cryptographic seeds or strong cryptography keys to ensure data privacy. Software can use random numbers to trigger asynchronous events that result in nondeterministic behavior. Random strings can be added to messages to make encryption indeterministic and therefore avoid replay attacks.

The TRNG is continuously updated by a high-quality, physically-unpredictable entropy source. It generates one random bit per cryptographic clock cycle.

The TRNG can support the system-level validation of many security standards. Contact Analog Devices for details of compliance with specific standards.

CRC Module

A cyclic redundancy check (CRC) hardware module provides fast calculations and data integrity checks by application software. The CRC polynomial is programmable to support custom CRC algorithms, as well as the common algorithms shown in [Table 7](#).

Table 7. Common CRC Polynomials

ALGORITHM	POLYNOMIAL EXPRESSION
CRC-32-ETHERNET	$x^{32} + x^{26} + x^{23} + x^{22} + x^{16} + x^{12} + x^{11} + x^{10} + x^8 + x^7 + x^5 + x^4 + x^2 + x^1 + x^0$
CRC-CCITT	$x^{16} + x^{12} + x^5 + x^0$
CRC-16	$x^{16} + x^{15} + x^2 + x^0$
USB DATA	$x^{16} + x^{15} + x^2 + x^0$
PARITY	$x^1 + x^0$

SHA-2

SHA-2 is a cryptographic hash function. It authenticates user data and verifies its integrity. It is used for digital signatures.

The device provides a hardware SHA-2 engine for fast computation of digests supporting:

- SHA-224
- SHA-256
- SHA-384
- SHA-512

Software Integrity and Root of Trust**Root of Trust**

On devices that support SCPBL, the root of trust starts with trusted software and the microcontroller's complement of security features. Communications between a host and the device must be secure and authenticated, and program integrity must be verified each time before execution to ensure the device's trustworthiness. The device's root of trust is

based on a secret Analog Devices root verification key and a signed customer verification key (CVK). Customers submit their public CVK, which is then signed, and a certificate is sent back to the customer. This process is quick and required only once, before the software is released for the first time, and is unnecessary during the software development. A customer can then load their own key and download their signed binary executable code.

Secure Communications Protocol Bootloader (SCPBL)

On devices that support SCPBL, communication between a host system and the device uses a system of ECDSA-256 digitally signed packets. This guarantees the integrity and authenticity of all communication before executing configuration commands and loading or verifying program memory. One or more serial interfaces are available for communication. This also enables the assembly and programming of the customer's final product by third-party assembly houses without the required cost and complexity of ensuring that the assembly house implements and maintains a secure production facility. It also allows in-field software upgrades to deployed products, thus eliminating the costly need to return a product to the manufacturer for any software changes. The serial interfaces available for SCPBL communication are shown in [Table 8](#). Following any reset or exit from certain low-power modes, the device tests the assigned stimulus pin and, if active, begins an SCPBL session. The stimulus pin can be reassigned once an SCPBL session begins. The host can disable the bootloader interface before deployment to prevent any changes to program memory.

See the [Ordering Information](#) table for availability.

Secure Boot

On devices that support SCPBL, the device performs a secure boot to confirm that the root of trust has not been compromised. Following every reset and exit from certain low-power modes, the secure boot verifies the digital signature of the program memory to confirm it has not been modified or corrupted, ensuring the trustworthiness of the application software. Failure to verify the digital signature transitions the device to safe mode, which prevents execution of the customer code. During the development phase, the bootloader can be reactivated and a new, trusted program memory loaded.

Debug and Development Interface

The device provides an Arm Debug Access Port (DAP) that supports debugging during application development. The DAP enables an external debugger to access the device. The DAP is a standard Arm CoreSight™ serial wire debug (SWD) port and uses a two-pin serial interface (SWDCLK and SWDIO).

Coresight is a trademark of Arm Limited.

Applications Information

Bypass Capacitor Recommendations

The proper use of bypass capacitors reduces noise generated by the IC into the ground plane. The [Pin Descriptions](#) table indicates which pins should be connected to bypass capacitors and the appropriate ground plane.

It is recommended that one instance of a bypass capacitor should be connected to each pin/ball of the IC package. For example, if the [Pin Descriptions](#) table shows four device pins associated with voltage supply A, a separate capacitor should be connected to each pin for a total of four capacitors.

Place capacitors as close as possible to their corresponding device pins. When more than one value of capacitor is recommended per pin, the capacitors should be placed in parallel starting with the lowest value capacitor closest to the pin.

RTC Crystal Guidelines

The internal low-power RTC oscillator minimizes power consumption and maximizes battery life. The RTC crystal must be designed to reach its nominal frequency with 6pF (called C_L or C_{L_XTAL} in the [Electrical Characteristics](#) table) of load capacitance. Crystals designed for values of C_{L_XTAL} greater than 6pF are not supported. Note that crystal load capacitors are electrically in series across the crystal, so the correct value of total pad and trace capacitance for a 6pF crystal is 12pF per terminal. The RTC in this part includes integrated load capacitors. External load capacitors are not required for RTC operation.

The digital trim feature can compensate for RTC inaccuracies of up to ± 127 ppm when compared against an external reference clock. Refer to the device [MAX32672 User Guide](#) for details.

Although they are not required, customers can also tune the clock using external load capacitors. Final C values must be determined after the PCB layout is complete. However, the low-power design of the RTC oscillator imposes a maximum of 12pF ($C_{PAD} + C_{STRAY} + C_{L_XTAL}$) total per pin.

If the RTC is unused, the preferred solution is to connect 32KIN to V_{SS} through a 1k Ω resistor. The 32KOUT pin should be left unconnected if a crystal is not used or if 32KIN is unused.

Bootloader Activation

On devices that support SCPBL, the SCPBL is activated following any of the events shown in [Table 8](#), if the assigned stimulus pin is asserted. The design must ensure that the desired bootloader interface and stimulus pin are accessible by the host. A different stimulus pin can be assigned once an SCPBL session has been started.

The RSTN signal must also be accessible by the host for initial synchronization with the SCPBL.

The SCPBL can use the interfaces shown in [Table 8](#).

Table 8. MAX32672 Bootloader Characteristics

PART NUMBERS	INTERFACE	INTERFACE PINS	DEFAULT STIMULUS PIN	STIMULUS PIN REASSIGNMENT OPTIONS	DEFAULT SCPBL ACTIVATION INTERVAL	BOOTLOADER ACTIVATION EVENTS
See Ordering Information table	UART0 (115200bps) Interface ID: 0x00	UART0_RX (P0.8) UART0_TX (P0.9) RSTN	P0.10 (active low)	All GPIO except: UART0A_RX UART0A_TX	6 seconds	POR System Reset RSTN WDT reset Exit from BACKUP Exit from STORAGE

Single-Supply Operation

ACTIVE Mode

Table 9. Fixed V_{DD} Current Consumption ACTIVE Mode, IPO, Single Supply

PARAMETER	SYMBOL	CONDITIONS		TYPICAL					UNITS
				-40°C	+25°C	+55°C	+85°C	+105°C	
V_{DD} Current, ACTIVE Mode	I_{DD_FACTS}	Fixed, IPO enabled, total current into V_{DD} pin, $V_{DD} = 3.3V$, CPU in ACTIVE mode 0MHz execution, ECC disabled, inputs tied to V_{SS} or V_{DD} , outputs source/sink 0mA	OVR = [10], internal regulator set to 1.1V	700	890	1260	1930	2770	μA
			OVR = [01], internal regulator set to 1.0V	580	730	1020	1560	2260	
			OVR = [00], internal regulator set to 0.9V	500	620	850	1280	1860	
		Fixed, IPO enabled, total current into V_{DD} pin, $V_{DD} = 1.8V$, CPU in ACTIVE mode 0MHz execution, ECC disabled, inputs tied to V_{SS} or V_{DD} , outputs source/sink 0mA	OVR = [10], internal regulator set to 1.1V	670	860	1230	1890	2870	
			OVR = [01], internal regulator set to 1.0V	560	710	1000	1530	2210	
			OVR = [00], internal regulator set to 0.9V	480	590	820	1250	1820	

SLEEP Mode

Table 10. Fixed V_{DD} Current Consumption SLEEP Mode, IPO, Single Supply

PARAMETER	SYMBOL	CONDITIONS		TYPICAL					UNITS
				-40°C	+25°C	+55°C	+85°C	+105°C	
V_{DD} Current, SLEEP Mode	I_{DD_FSLPS}	Fixed, IPO enabled, total current into V_{DD} pin, $V_{DD} = 3.3V$, CPU in SLEEP mode, ECC disabled, inputs tied to V_{SS} or V_{DD} , outputs source/sink 0mA	OVR = [10], internal regulator set to 1.1V	700	890	1260	1930	2770	μA

Table 10. Fixed V_{DD} Current Consumption SLEEP Mode, IPO, Single Supply (continued)

PARAMETER	SYMBOL	CONDITIONS	TYPICAL					UNITS	
			-40°C	+25°C	+55°C	+85°C	+105°C		
		Fixed, IPO enabled, total current into V_{DD} pin, $V_{DD} = 1.8V$, CPU in SLEEP mode, ECC disabled, inputs tied to V_{SS} or V_{DD} , outputs source/sink 0mA	OVR = [01], internal regulator set to 1.0V	580	730	1020	1560	2260	
			OVR = [00], internal regulator set to 0.9V	500	620	850	1280	1860	
			OVR = [10], internal regulator set to 1.1V	670	860	1230	1890	2870	
			OVR = [01], internal regulator set to 1.0V	560	710	1000	1530	2210	
			OVR = [00], internal regulator set to 0.9V	480	590	820	1250	1820	

ACTIVE Mode**Table 11. Fixed V_{DD} Current Consumption ACTIVE Mode, IBRO, Single Supply**

PARAMETER	SYMBOL	CONDITIONS	TYPICAL					UNITS	
			-40°C	+25°C	+55°C	+85°C	+105°C		
V_{DD} Current, ACTIVE Mode	I_{DD_FACTS}	Fixed, IBRO enabled, total current into V_{DD} pin, $V_{DD} = 3.3V$, CPU in ACTIVE mode 0MHz execution, ECC disabled, inputs tied to V_{SS} or V_{DD} , outputs source/sink 0mA	OVR = [10], internal regulator set to 1.1V	170	450	800	1450	2280	μA
			OVR = [01], internal regulator set to 1.0V	260	390	660	1180	1870	

Table 11. Fixed V_{DD} Current Consumption ACTIVE Mode, IBRO, Single Supply (continued)

PARAMETER	SYMBOL	CONDITIONS	TYPICAL					UNITS	
			-40°C	+25°C	+55°C	+85°C	+105°C		
		Fixed, IBRO enabled, total current into V_{DD} pin, $V_{DD} = 1.8V$, CPU in ACTIVE mode 0MHz execution, ECC disabled, inputs tied to V_{SS} or V_{DD} , outputs source/sink 0mA	OVR = [00], internal regulator set to 0.9V	240	340	550	980	1540	
			OVR = [10], internal regulator set to 1.1V	240	410	760	1400	2220	
			OVR = [01], internal regulator set to 1.0V	230	350	620	1140	1810	
			OVR = [00], internal regulator set to 0.9V	210	310	520	940	1490	

SLEEP Mode**Table 12. Fixed V_{DD} Current Consumption SLEEP Mode, IBRO, Single Supply**

PARAMETER	SYMBOL	CONDITIONS	TYPICAL					UNITS	
			-40°C	+25°C	+55°C	+85°C	+105°C		
V_{DD} Current, SLEEP Mode	I_{DD_FSLPS}	Fixed, IBRO enabled, total current into V_{DD} pin, $V_{DD} = 3.3V$, CPU in SLEEP mode, ECC disabled, inputs tied to V_{SS} or V_{DD} , outputs source/sink 0mA	OVR = [10], internal regulator set to 1.1V	270	450	800	1450	2280	μA
			OVR = [01], internal regulator set to 1.0V	260	390	660	1180	1870	
			OVR = [00], internal regulator set to 0.9V	240	340	550	980	1540	

Table 12. Fixed V_{DD} Current Consumption SLEEP Mode, IBRO, Single Supply (continued)

PARAMETER	SYMBOL	CONDITIONS	TYPICAL					UNITS	
			-40°C	+25°C	+55°C	+85°C	+105°C		
		Fixed, IBRO enabled, total current into V_{DD} pin, $V_{DD} = 1.8V$, CPU in SLEEP mode, inputs tied to V_{SS} or V_{DD} , outputs source/sink 0mA	OVR = [10], internal regulator set to 1.1V	240	410	760	1400	2220	
			OVR = [01], internal regulator set to 1.0V	230	350	620	1140	1810	
			OVR = [00], internal regulator set to 0.9V	210	310	520	940	1490	

DEEPSLEEP Mode**Table 13. Fixed V_{DD} Current Consumption DEEPSLEEP Mode, Single Supply**

PARAMETER	SYMBOL	CONDITIONS	TYPICAL					UNITS	
			-40°C	+25°C	+55°C	+85°C	105°C		
V_{DD} Fixed Current, DEEPSLEEP Mode	I_{DD_FDSL5}	Standby state with full data retention and 200KB SRAM retained	$V_{DD} = 3.3V$	2	5.3	16.2	43.9	89	μA
		Standby state with full data retention and 200KB SRAM retained	$V_{DD} = 1.8V$	1.8	5	15.7	43.3	87.9	

BACKUP Mode**Table 14. Fixed V_{DD} Current Consumption BACKUP Mode, Single Supply**

PARAMETER	SYMBOL	CONDITIONS	TYPICAL					UNITS	
			-40°C	+25°C	+55°C	+85°C	+105°C		
V_{DD} Fixed Current, BACKUP Mode	I_{DD_FBKUS}	$V_{DD} = 3.3V$, RTC disabled	0KB SRAM retained, retention regulator disabled	0.3	0.35	0.75	1.7	3.2	μA
			20KB SRAM retained	0.65	1.14	2.7	6.7	13.2	
			40KB SRAM retained	0.8	1.6	4.1	10.5	21	
			120KB SRAM retained	1.2	2.7	7.3	19.2	38.7	
			200KB SRAM retained	1.6	3.8	10.5	27.9	56.4	
		$V_{DD} = 1.8V$, RTC disabled	0KB SRAM retained, retention regulator disabled	0.06	0.09	0.33	0.96	2.2	
			20KB SRAM retained	0.5	0.9	2.3	6	12.2	
			40KB SRAM retained	0.65	1.3	3.7	9.8	19.9	

Table 14. Fixed V_{DD} Current Consumption BACKUP Mode, Single Supply (continued)

PARAMETER	SYMBOL	CONDITIONS	TYPICAL					UNITS
			-40°C	+25°C	+55°C	+85°C	+105°C	
		120KB SRAM retained	1	2.4	6.9	18.4	37.4	
		200KB SRAM retained	1.5	3.5	10.1	26.9	54.7	

STORAGE Mode**Table 15. Fixed V_{DD} Current Consumption STORAGE Mode, Single Supply**

PARAMETER	SYMBOL	CONDITIONS	TYPICAL					UNITS
			-40°C	+25°C	+55°C	+85°C	105°C	
V_{DD} Fixed Current, STORAGE Mode	I_{DD_FSTOS}	$V_{DD} = 3.3V$	0.27	0.4	0.74	1.6	3.2	μA
		$V_{DD} = 1.8V$	0.06	0.09	0.34	0.97	2.2	

Dual Supply Operation**ACTIVE Mode****Table 16. Fixed V_{CORE} Current Consumption ACTIVE Mode, IPO, Dual Supply**

PARAMETER	SYMBOL	CONDITIONS	TYPICAL					UNITS	
			-40°C	+25°C	+55°C	+85°C	+105°C		
V_{CORE} Fixed Current, ACTIVE Mode	I_{CORE_FACTD}	Fixed, IPO enabled, total current into V_{CORE} pin, CPU in ACTIVE mode 0MHz execution, ECC disabled, inputs tied to V_{SS} or V_{DD} , outputs source/sink 0mA	OVR = [10], V_{CORE} set to 1.1V	240	420	750	1370	2170	μA
			OVR = [01], V_{CORE} set to 1.0V	120	260	510	1010	1660	
			OVR = [00], V_{CORE} set to 0.9V	44	140	300	670	1150	

ACTIVE Mode**Table 17. Fixed V_{DD} Current Consumption ACTIVE Mode, IPO, Dual Supply**

PARAMETER	SYMBOL	CONDITIONS	TYPICAL					UNITS	
			-40°C	+25°C	+55°C	+85°C	+105°C		
V_{DD} Current, ACTIVE Mode	I_{DD_FACTD}	Fixed, IPO enabled, total current into V_{DD} pin, $V_{DD} = 3.3V$, CPU in ACTIVE mode 0MHz execution, ECC disabled, inputs tied to V_{SS} or V_{DD} , outputs source/sink 0mA	OVR = [10], $V_{CORE} = 1.1V$	400	430	450	480	510	μA
			OVR = [01], $V_{CORE} = 1.0V$	400	430	450	480	510	

Table 17. Fixed V_{DD} Current Consumption ACTIVE Mode, IPO, Dual Supply (continued)

PARAMETER	SYMBOL	CONDITIONS	TYPICAL					UNITS	
			-40°C	+25°C	+55°C	+85°C	+105°C		
		Fixed, IPO enabled, total current into V_{DD} pin, $V_{DD} = 1.8V$, CPU in ACTIVE mode 0MHz execution, ECC disabled, inputs tied to V_{SS} or V_{DD} , outputs source/sink 0mA	OVR = [00], $V_{CORE} = 0.9V$	400	430	450	480	510	
			OVR = [10], $V_{CORE} = 1.1V$	380	410	430	460	490	
			OVR = [01], $V_{CORE} = 1.0V$	380	410	430	460	490	
			OVR = [00], $V_{CORE} = 0.9V$	380	410	430	460	490	

SLEEP Mode**Table 18. Fixed V_{CORE} Current Consumption SLEEP Mode, IPO, Dual Supply**

PARAMETER	SYMBOL	CONDITIONS	TYPICAL					UNITS	
			-40°C	+25°C	+55°C	+85°C	+105°C		
V_{CORE} Current, SLEEP Mode	I_{CORE_FSLPD}	Fixed, IPO enabled, total current into V_{CORE} pin, CPU in SLEEP mode, ECC disabled, inputs tied to V_{SS} or V_{DD} , outputs source/sink 0mA	OVR = [10], $V_{CORE} = 1.1V$	240	420	750	1370	2170	μA
			OVR = [01], $V_{CORE} = 1.0V$	120	260	510	1010	1660	
			OVR = [00], $V_{CORE} = 0.9V$	44	140	300	670	1150	

SLEEP Mode**Table 19. Fixed V_{DD} Current Consumption SLEEP Mode, IPO, Dual Supply**

PARAMETER	SYMBOL	CONDITIONS	TYPICAL					UNITS	
			-40°C	+25°C	+55°C	+85°C	+105°C		
V_{DD} Current, SLEEP Mode	I_{DD_FSLPD}	Fixed, IPO enabled, total current into V_{DD} pin, $V_{DD} = 3.3V$, CPU in SLEEP mode, ECC disabled, inputs tied to V_{SS} or V_{DD} , outputs source/sink 0mA	OVR = [10], $V_{CORE} = 1.1V$	400	430	450	480	510	μA
			OVR = [01], $V_{CORE} = 1.0V$	400	430	450	480	510	

Table 19. Fixed V_{DD} Current Consumption SLEEP Mode, IPO, Dual Supply (continued)

PARAMETER	SYMBOL	CONDITIONS	TYPICAL					UNITS	
			-40°C	+25°C	+55°C	+85°C	+105°C		
		Fixed, IPO enabled, total current into V_{DD} pin, $V_{DD} = 1.8V$, CPU in SLEEP mode, ECC disabled, inputs tied to V_{SS} or V_{DD} , outputs source/sink 0mA	OVR = [00], $V_{CORE} = 0.9V$	400	430	450	480	510	
			OVR = [10], $V_{CORE} = 1.1V$	380	410	430	460	490	
			OVR = [01], $V_{CORE} = 1.0V$	380	410	430	460	490	
			OVR = [00], $V_{CORE} = 0.9V$	380	410	430	460	490	

ACTIVE Mode**Table 20. Fixed V_{CORE} Current Consumption ACTIVE Mode, IBRO, Dual Supply**

PARAMETER	SYMBOL	CONDITIONS	TYPICAL					UNITS	
			-40°C	+25°C	+55°C	+85°C	+105°C		
V_{CORE} Current, ACTIVE Mode	I_{CORE_FACTD}	Fixed, IBRO enabled, total current into V_{CORE} pin, CPU in ACTIVE mode 0MHz execution, ECC disabled, inputs tied to V_{SS} or V_{DD} , outputs source/sink 0mA	OVR = [10], $V_{CORE} = 1.1V$	60	240	570	1210	1910	μA
			OVR = [01], $V_{CORE} = 1.0V$	40	180	430	940	1600	
			OVR = [00], $V_{CORE} = 0.9V$	30	120	290	660	1150	

ACTIVE Mode**Table 21. Fixed V_{DD} Current Consumption ACTIVE Mode, IBRO, Dual Supply**

PARAMETER	SYMBOL	CONDITIONS	TYPICAL					UNITS	
			-40°C	+25°C	+55°C	+85°C	+105°C		
V_{DD} Current, ACTIVE Mode	I_{DD_FACTD}	Fixed, IBRO enabled, total current into V_{DD} pin, $V_{DD} = 3.3V$, CPU in ACTIVE mode 0MHz execution, ECC disabled, inputs tied to V_{SS} or V_{DD} , outputs source/sink 0mA	OVR = [10], $V_{CORE} = 1.1V$	155	165	175	190	210	μA
			OVR = [01], $V_{CORE} = 1.0V$	155	165	175	190	210	

Table 21. Fixed V_{DD} Current Consumption ACTIVE Mode, IBRO, Dual Supply (continued)

PARAMETER	SYMBOL	CONDITIONS	TYPICAL					UNITS	
			-40°C	+25°C	+55°C	+85°C	+105°C		
		Fixed, IBRO enabled, total current into V_{DD} pin, $V_{DD} = 1.8V$, CPU in ACTIVE mode 0MHz execution, ECC disabled, inputs tied to V_{SS} or V_{DD} , outputs source/sink 0mA	OVR = [00], $V_{CORE} = 0.9V$	155	165	175	190	210	
			OVR = [10], $V_{CORE} = 1.1V$	128	136	144	158	179	
			OVR = [01], $V_{CORE} = 1.0V$	128	136	144	158	179	
			OVR = [00], $V_{CORE} = 0.9V$	128	136	144	158	179	

SLEEP Mode**Table 22. Fixed V_{CORE} Current Consumption SLEEP Mode, IBRO, Dual Supply**

PARAMETER	SYMBOL	CONDITIONS	TYPICAL					UNITS	
			-40°C	+25°C	+55°C	+85°C	+105°C		
V_{CORE} Current, SLEEP Mode	I_{CORE_FSLPD}	Fixed, IBRO enabled, total current into V_{CORE} pin, CPU in SLEEP mode, ECC disabled, inputs tied to V_{SS} or V_{DD} , outputs source/sink 0mA	OVR = [10], $V_{CORE} = 1.1V$	60	240	570	1210	1910	μA
			OVR = [01], $V_{CORE} = 1.0V$	40	180	430	940	1600	
			OVR = [00], $V_{CORE} = 0.9V$	30	120	290	660	1150	

SLEEP Mode**Table 23. Fixed V_{DD} Current Consumption SLEEP Mode, IBRO, Dual Supply**

PARAMETER	SYMBOL	CONDITIONS	TYPICAL					UNITS	
			-40°C	+25°C	+55°C	+85°C	+105°C		
V_{DD} Current, SLEEP Mode	I_{DD_FSLPD}	Fixed, IBRO enabled, total current into V_{DD} pin, $V_{DD} = 3.3V$, CPU in SLEEP mode, ECC disabled, inputs tied to V_{SS} or V_{DD} , outputs source/sink 0mA	OVR = [10], $V_{CORE} = 1.1V$	155	165	175	190	210	μA
			OVR = [01], $V_{CORE} = 1.0V$	155	165	175	190	210	

Table 23. Fixed V_{DD} Current Consumption SLEEP Mode, IBRO, Dual Supply (continued)

PARAMETER	SYMBOL	CONDITIONS	TYPICAL					UNITS	
			-40°C	+25°C	+55°C	+85°C	+105°C		
		Fixed, IBRO enabled, total current into V_{DD} pin, $V_{DD} = 1.8V$, CPU in SLEEP mode, ECC disabled, inputs tied to V_{SS} or V_{DD} , outputs source/sink 0mA	OVR = [00], $V_{CORE} = 0.9V$	155	165	175	190	210	
			OVR = [10], $V_{CORE} = 1.1V$	128	136	144	158	179	
			OVR = [01], $V_{CORE} = 1.0V$	128	136	144	158	179	
			OVR = [00], $V_{CORE} = 0.9V$	128	136	144	158	179	

DEEPSLEEP Mode**Table 24. Fixed V_{CORE} Current Consumption DEEPSLEEP Mode, Dual Supply**

PARAMETER	SYMBOL	CONDITIONS	TYPICAL					UNITS
			-40°C	+25°C	+55°C	+85°C	105°C	
V_{CORE} Fixed Current, DEEPSLEEP Mode	$I_{CORE_FDSL D}$	$V_{DD} = 3.3V, V_{CORE} = 1.1V$	5.8	12.2	29	68	126	μA
		$V_{DD} = 3.3V, V_{CORE} = 0.855V$	1.5	4.6	14.7	40	79.5	
		$V_{DD} = 1.8V, V_{CORE} = 1.1V$	5.8	12.2	29	68	126	
		$V_{DD} = 1.8V, V_{CORE} = 0.855V$	1.5	4.6	14.7	40	79.5	

DEEPSLEEP Mode**Table 25. Fixed V_{DD} Current Consumption DEEPSLEEP Mode, Dual Supply**

PARAMETER	SYMBOL	CONDITIONS	TYPICAL					UNITS
			-40°C	+25°C	+55°C	+85°C	105°C	
V_{DD} Fixed Current, DEEPSLEEP Mode	$I_{DD_FDSL D}$	$V_{DD} = 3.3V, V_{CORE} = 1.1V$	0.34	0.4	0.77	1.66	3.2	μA
		$V_{DD} = 3.3V, V_{CORE} = 0.855V$	0.34	0.4	0.77	1.66	3.2	
		$V_{DD} = 1.8V, V_{CORE} = 1.1V$	0.14	0.15	0.33	0.96	2.2	
		$V_{DD} = 1.8V, V_{CORE} = 0.855V$	0.14	0.15	0.33	0.96	2.2	

BACKUP Mode

Table 26. Fixed V_{CORE} Current Consumption BACKUP Mode, Dual Supply

PARAMETER	SYMBOL	CONDITIONS	TYPICAL					UNITS	
			-40°C	+25°C	+55°C	+85°C	+105°C		
Fixed V_{CORE} Current, BACKUP Mode	I_{CORE_FBKUD}	0KB SRAM retained with RTC disabled, retention regulator disabled	$V_{DD} = 3.3V,$ $V_{CORE} = 1.1V$	0.22	0.3	1.1	3.5	7.8	μA
			$V_{DD} = 3.3V,$ $V_{CORE} = 0.855V$	0.03	0.14	0.78	2.7	6.2	
			$V_{DD} = 1.8V,$ $V_{CORE} = 1.1V$	0.22	0.3	1.1	3.5	7.8	
			$V_{DD} = 1.8V,$ $V_{CORE} = 0.855V$	0.03	0.14	0.78	2.7	6.2	
		20KB SRAM retained with RTC disabled	$V_{DD} = 3.3V,$ $V_{CORE} = 1.1V$	0.65	1.4	3.7	9.4	18.6	
			$V_{DD} = 3.3V,$ $V_{CORE} = 0.855V$	0.15	0.55	2.1	6.2	13	
			$V_{DD} = 1.8V,$ $V_{CORE} = 1.1V$	0.65	1.4	3.7	9.4	18.6	
			$V_{DD} = 1.8V,$ $V_{CORE} = 0.855V$	0.15	0.55	2.1	6.2	13	
		40KB SRAM retained with RTC disabled	$V_{DD} = 3.3V,$ $V_{CORE} = 1.1V$	1.1	2.35	6.2	15.3	29.4	
			$V_{DD} = 3.3V,$ $V_{CORE} = 0.855V$	0.3	0.95	3.4	9.6	19.8	
			$V_{DD} = 1.8V,$ $V_{CORE} = 1.8V$	1.1	2.35	6.2	15.3	29.4	
			$V_{DD} = 1.8V,$ $V_{CORE} = 0.855V$	0.3	0.95	3.4	9.6	19.8	
		120KB SRAM retained with RTC disabled	$V_{DD} = 3.3V,$ $V_{CORE} = 1.1V$	2.9	5.5	12.5	28.9	54	
			$V_{DD} = 3.3V,$ $V_{CORE} = 0.855V$	0.69	2	6.3	17.5	35.4	
			$V_{DD} = 1.8V,$ $V_{CORE} = 1.1V$	2.9	5.5	12.5	28.9	54	
			$V_{DD} = 1.8V,$ $V_{CORE} = 0.855V$	0.69	2	6.3	17.5	35.4	

**Table 26. Fixed V_{CORE} Current Consumption BACKUP Mode, Dual Supply
(continued)**

PARAMETER	SYMBOL	CONDITIONS	TYPICAL					UNITS	
			-40°C	+25°C	+55°C	+85°C	+105°C		
		200KB SRAM retained with RTC disabled	V _{DD} = 3.3V, V _{CORE} = 1.1V	4.6	8.6	18.8	42.4	79	
			V _{DD} = 3.3V, V _{CORE} = 0.855V	1.1	3.1	9.3	25.3	51	
			V _{DD} = 1.8V, V _{CORE} = 1.1V	4.6	8.6	18.8	42.4	79	
			V _{DD} = 1.8V, V _{CORE} = 0.855V	1.1	3.1	9.3	25.3	51	

BACKUP Mode**Table 27. Fixed V_{DD} Current Consumption BACKUP Mode, Dual Supply**

PARAMETER	SYMBOL	CONDITIONS	TYPICAL					UNITS	
			-40°C	+25°C	+55°C	+85°C	+105°C		
Fixed V _{DD} Current, BACKUP Mode	I _{DD_FBKUD}	0KB SRAM retained with RTC disabled, retention regulator disabled	V _{DD} = 3.3V, V _{CORE} = 1.1V	0.32	0.4	0.76	1.7	3.2	μA
			V _{DD} = 3.3V, V _{CORE} = 0.855V	0.32	0.4	0.76	1.7	3.2	
			V _{DD} = 1.8V, V _{CORE} = 1.1V	0.14	0.16	0.34	0.97	2.2	
			V _{DD} = 1.8V, V _{CORE} = 0.855V	0.14	0.16	0.34	0.97	2.2	
		20KB SRAM retained with RTC disabled	V _{DD} = 3.3V, V _{CORE} = 1.1V	0.32	0.4	0.76	1.7	3.2	
			V _{DD} = 3.3V, V _{CORE} = 0.855V	0.32	0.4	0.76	1.7	3.2	
			V _{DD} = 1.8V, V _{CORE} = 1.1V	0.14	0.16	0.34	0.97	2.2	
			V _{DD} = 1.8V, V _{CORE} = 0.855V	0.14	0.16	0.34	0.97	2.2	
		40KB SRAM retained with RTC disabled	V _{DD} = 3.3V, V _{CORE} = 1.1V	0.32	0.4	0.76	1.7	3.2	
			V _{DD} = 3.3V, V _{CORE} = 0.855V	0.32	0.4	0.76	1.7	3.2	

Table 27. Fixed V_{DD} Current Consumption BACKUP Mode, Dual Supply (continued)

PARAMETER	SYMBOL	CONDITIONS	TYPICAL					UNITS	
			-40°C	+25°C	+55°C	+85°C	+105°C		
		$V_{DD} = 1.8V$, $V_{CORE} = 1.8V$	0.14	0.16	0.34	0.97	2.2		
			$V_{DD} = 1.8V$, $V_{CORE} = 0.855V$	0.14	0.16	0.34	0.97		2.2
		120KB SRAM retained with RTC disabled	$V_{DD} = 3.3V$, $V_{CORE} = 1.1V$	0.32	0.4	0.76	1.7		3.2
			$V_{DD} = 3.3V$, $V_{CORE} = 0.855V$	0.32	0.4	0.76	1.7		3.2
			$V_{DD} = 1.8V$, $V_{CORE} = 1.1V$	0.14	0.16	0.34	0.97		2.2
			$V_{DD} = 1.8V$, $V_{CORE} = 0.855V$	0.14	0.16	0.34	0.97		2.2
		200KB SRAM retained with RTC disabled	$V_{DD} = 3.3V$, $V_{CORE} = 1.1V$	0.32	0.4	0.76	1.7		3.2
			$V_{DD} = 3.3V$, $V_{CORE} = 0.855V$	0.32	0.4	0.76	1.7		3.2
			$V_{DD} = 1.8V$, $V_{CORE} = 1.1V$	0.14	0.16	0.34	0.97		2.2
			$V_{DD} = 1.8V$, $V_{CORE} = 0.855V$	0.14	0.16	0.34	0.97		2.2

STORAGE Mode**Table 28. Fixed V_{CORE} Current Consumption STORAGE Mode, Dual Supply**

PARAMETER	SYMBOL	CONDITIONS	TYPICAL					UNITS
			-40°C	+25°C	+55°C	+85°C	105°C	
V_{CORE} Fixed Current, STORAGE Mode	I_{DD_FSTOD}	$V_{DD} = 3.3V$, $V_{CORE} = 1.1V$	0.21	0.29	1.1	3.5	7.8	μA
		$V_{DD} = 3.3V$, $V_{CORE} = 0.855V$	0.03	0.15	0.78	2.7	6.2	
		$V_{DD} = 1.8V$, $V_{CORE} = 1.1V$	0.21	0.29	1.1	3.5	7.8	
		$V_{DD} = 1.8V$, $V_{CORE} = 0.855V$	0.03	0.15	0.78	2.7	6.2	

STORAGE Mode

Table 29. Fixed V_{DD} Current Consumption STORAGE Mode, Dual Supply

PARAMETER	SYMBOL	CONDITIONS	TYPICAL					UNITS
			-40°C	+25°C	+55°C	+85°C	105°C	
V_{DD} Fixed Current, STORAGE Mode	I_{DD_FSTOD}	$V_{DD} = 3.3V, V_{CORE} = 1.1V$	0.3	0.4	0.74	1.6	3.2	μA
		$V_{DD} = 1.8V, V_{CORE} = 0.855V$	0.3	0.4	0.74	1.6	3.2	
		$V_{DD} = 3.3V, V_{CORE} = 1.1V$	0.15	0.16	0.34	0.97	2.2	
		$V_{DD} = 1.8V, V_{CORE} = 0.855V$	0.15	0.16	0.34	0.97	2.2	

Ordering Information

PART NUMBER	TMR	LPTMR	I ² C	SPI	UART	LPUART	CMP	ADC INPUTS	SCPBL	GPIO	PACKAGE
MAX32672GTL+	3	2	3	2	3	1	2	12	N	28	40 TQFN-EP 5mm x 5mm 0.4mm pitch
MAX32672GTL+T	3	2	3	2	3	1	2	12	N	28	40 TQFN-EP 5mm x 5mm 0.4mm pitch
MAX32672GTLBL+	3	2	3	2	3	1	2	12	Y	28	40 TQFN-EP 5mm x 5mm 0.4mm pitch
MAX32672GTLBL+T	3	2	3	2	3	1	2	12	Y	28	40 TQFN-EP 5mm x 5mm 0.4mm pitch
MAX32672GTNBL+	3	2	3	3	3	1	2	12	Y	42	56 TQFN-EP 7mm x 7mm 0.4mm pitch
MAX32672GTNBL+T	3	2	3	3	3	1	2	12	Y	42	56 TQFN-EP 7mm x 7mm 0.4mm pitch
MAX32672GWB+	3	2	3	3	3	1	2	12	N	42	64 eWLB 3.2mm x 3.2mm 0.4mm pitch
MAX32672GWB+T	3	2	3	3	3	1	2	12	N	42	64 eWLB 3.2mm x 3.2mm 0.4mm pitch

All packages contain Quadrature Decoder (QDEC), 12-Channel DMA, I²S, SWD, 1024KB Flash with ECC, 160KB SRAM with ECC.

TMR = Timer; LPTMR = Low-Power Timer; LPUART = Low-Power UART; CMP = Comparator; SCPBL = Secure Communications Protocol Bootloader

+Denotes a lead(Pb)-free/RoHS-compliant package.

T = Tape and reel. Full reel.

Revision History

REVISION NUMBER	REVISION DATE	DESCRIPTION	PAGES CHANGED
0	8/21	Release for Market Intro	—
1	1/22	Updated the General Description , Benefits and Features , and Simplified Block Diagram . Added Continuous Package Power Dissipation and Package Information for the 56 TQFN-EP. Added Pin Configurations and Pin Descriptions for the 56 TQFN-EP. Updated the Clocking Scheme . Updated the Secure Communications Protocol Bootloader (SCPBL) section. Updated Bootloader Activation Table 5. Added the 56 TQFN part numbers to the Ordering Information .	1–2, 7, 47–52, 54, 61–62
2	5/23	Updated Benefits and Features , Simplified Block Diagram , Absolute Maximum Ratings , Electrical Characteristics , Pin Configuration , Pin Descriptions , Detailed Description , Applications Information , Ordering Information	1, 2, 8, 9–32, 34, 36, 37, 39, 45, 46, 50, 56–64, 65–77, 78
3	8/24	Clarified RSTN causes a system reset, removed the requirement for 32KIN/32KOUT capacitors and added information about RTC crystal selection, removed I ² S pulse density modulation support, clarified all TQFN packages are TQFN-EP, corrected I ² C t _{VD;DAT} and t _{VD;ACK} from min to max values, clarified 32-bit timer/counters have always been up-count only, clarified that I ² S interface does not support PDM, added V _{DD} decay time requirement, added information about what to do with unused HFXIN, HFXOUT, 32KIN, and 32KOUT pins to Pin Descriptions, added list of bootloader activation events to Bootloader Activation , added 64 eWLB package, updated master/slave terminology to controller/target	1, 2, 8, 9, 36, 37, 39, 40, 42, 45–55, 59–61, 65, 78
4	10/24	Removed MAX32672GWBFBL+ and MAX32672GWBFBL+T variants from Ordering Information	85