

Commercial Space
Product

RF Agile Transceiver

FEATURES

- ▶ RF 2 × 2 transceiver with integrated 12-bit DACs and ADCs
- ▶ Transmit band: 46.875 MHz to 6.0 GHz
- ▶ Receive band: 70 MHz to 6.0 GHz
- ▶ Dual receivers: 6 differential inputs
- ▶ Superior receiver sensitivity with a NF of 2 dB at 800 MHz LO
- ▶ Receive gain control
 - ▶ Real-time monitor and control signals for manual gain
 - ▶ Independent AGC
- ▶ Dual transmitters: 4 differential outputs
- ▶ Highly linear broadband transmitter
 - ▶ Transmit EVM: -40 dB (typical) at 800 MHz
 - ▶ Transmit noise: -157 dBm/Hz (typical)
 - ▶ Transmit monitor: 66 dB dynamic range (typical) with 1 dB accuracy
- ▶ Integrated fractional-N synthesizers
 - ▶ 2.4 Hz typical LO frequency step size
- ▶ Multichip synchronization
- ▶ CMOS/LVDS digital interface

COMMERCIAL SPACE FEATURES

- ▶ Supports aerospace applications
- ▶ Certificate of Conformance
- ▶ Wafer diffusion lot traceability
- ▶ Qualification based on flows per NASA PEM-INST-001 and SAE AS6294
- ▶ Burn-in, life test, and deltas analysis
- ▶ Radiation lot acceptance test (RLAT)
 - ▶ Total ionizing dose (TID)
- ▶ Radiation benchmark
 - ▶ Single event latchup (SEL)
- ▶ Outgassing characterization

APPLICATIONS

- ▶ Low and medium Earth orbit (LEO/MEO) satellites
- ▶ Geosynchronous Earth orbit (GEO) satellites
- ▶ Avionics
- ▶ Point to point communication systems

GENERAL DESCRIPTION

The AD9361S-CSH is a high performance, highly integrated, RF agile transceiver designed for use in 3G and 4G applications. Its programmability and wideband capability make it ideal for a broad range of transceiver applications. The device combines an RF front end with a flexible mixed-signal baseband section and integrated frequency synthesizers, simplifying design-in by providing a configurable digital interface to a processor. The AD9361S-CSH receiver LO operates from 70 MHz to 6.0 GHz and the transmitter LO operates from 46.875 MHz to 6.0 GHz range, covering most licensed and unlicensed bands. Channel bandwidths from less than 200 kHz to 56 MHz are supported.

The two independent direct conversion receivers have state-of-the-art noise figure and linearity. Each receive subsystem includes independent automatic gain control (AGC), dc offset correction, quadrature correction, and digital filtering, thereby eliminating the need for these functions in the digital baseband. The AD9361S-CSH also has flexible manual gain modes that can be externally controlled.

Two high dynamic range analog-to-digital converters (ADCs) per channel digitize the received inphase (I) and quadrature (Q) signals and pass them through configurable decimation filters and 128-tap finite impulse response (FIR) filters to produce a 12-bit output signal at the appropriate sample rate.

The transmitters use a direct conversion architecture that achieves high modulation accuracy with ultralow noise. This transmitter design produces a best-in-class transmit error vector magnitude (EVM) of ≤ -40 dB, allowing significant system margin for the external power amplifier (PA) selection. The on-board transmit power monitor can be used as a power detector, enabling highly accurate transmit power measurements.

The fully integrated phase-locked loops (PLLs) provide low power fractional-N frequency synthesis for all receive and transmit channels. Channel isolation, demanded by frequency division duplex (FDD) systems, is integrated into the design. All voltage controlled oscillator (VCO) and loop filter components are integrated.

The AD9361S-CSH is packaged in a **10 mm × 10 mm, 144-ball chip scale package ball grid array (CSP_BGA)**.

Additional application and technical information can be found in the [Commercial Space Products Program](#) brochure and the [AD9361 data sheet](#).

TABLE OF CONTENTS

Features.....	1	Radiation Test and Limit Specifications.....	16
Commercial Space Features.....	1	Absolute Maximum Ratings.....	17
Applications.....	1	Thermal Resistance.....	17
General Description.....	1	Outgas Testing.....	17
Functional Block Diagram.....	3	Radiation Features.....	17
Specifications.....	4	ESD Caution.....	17
Current Consumption—VDD_INTERFACE.....	10	Pin Configuration and Function Descriptions.....	18
Current Consumption—VDDD1P3_DIG and		Typical Performance Characteristics.....	22
VDDA1P3_x (Combination of All 1.3 V		Outline Dimensions.....	23
Supplies).....	11	Ordering Guide.....	23
Burn-In Delta Limits Specifications.....	15		

REVISION HISTORY**3/2025—Rev. A to Rev. B**

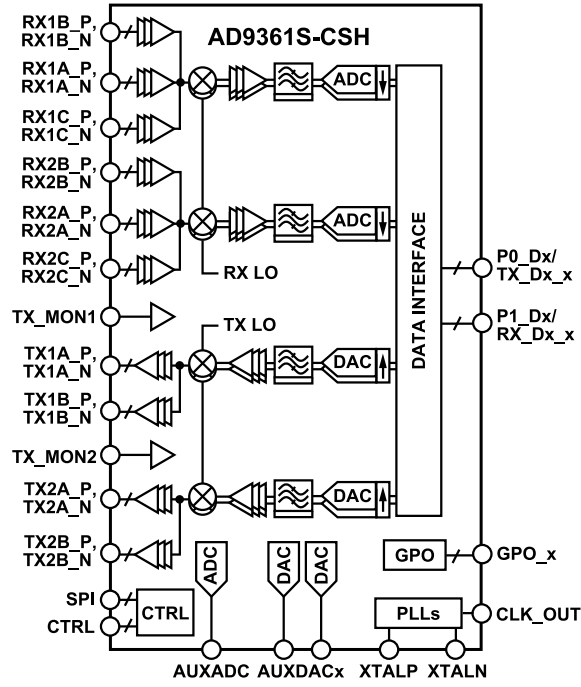
Changes to Features Section.....	1
Changes to Frequency Range Parameter and Signal Level Parameter, Table 1.....	4
Changed Life Test and Burn-In Delta Limits Specifications Section to Burn-In Delta Limits Specifications Section.....	15
Changes to Burn-In Delta Limits Specifications Section.....	15
Added Radiation Features Section and Table 16; Renumbered Sequentially.....	17
Changes to Typical Performance Characteristics Section.....	22
Deleted 800 MHz Frequency Band Section and Figure 3 to Figure 31; Renumbered Sequentially.....	22
Deleted 2.4 GHz Frequency Band Section and Figure 32 to Figure 52.....	22
Deleted 5.5 GHz Frequency Band Section and Figure 53 to Figure 66.....	22

8/2023—Rev. 0 to Rev. A

Changes to Commercial Space Features Section.....	1
Changes to Applications Section.....	1
Change to Table 13.....	17
Deleted Reflow Profile Section.....	17

7/2022—Revision 0: Initial Version

FUNCTIONAL BLOCK DIAGRAM



NOTES
 1. SPI, CTRL, P0_Dx/TX_Dx_x, P1_Dx/RX_Dx_x, AND GPO_x CONTAIN MULTIPLE PINS.

001

Figure 1. Functional Block Diagram

SPECIFICATIONS

Electrical characteristics at VDD_GPO = 3.3 V, VDD_INTERFACE = 1.8 V, VDDD1P3_DIG = 1.3 V, and all other VDDA1P3_x pins = 1.3 V, T_A = 25°C, unless otherwise noted. TX is transmit, and RX is receive. VDDA1P3_x refers to VDDA1P3_TX_LO, VDDA1P3_TX_VCO_LDO, VDDA1P3_RX_RF, VDDA1P3_RX_TX, VDDA1P3_RX_LO, VDDA1P3_TX_LO_BUFFER, VDDA1P3_RX_VCO_LDO, VDDA1P3_RX_SYNTH, VDDA1P3_TX_SYNTH, and VDDA1P3_BB.

Table 1.

Parameter ¹	Symbol	Min	Typ	Max	Unit	Test Conditions/ Comments
RECEIVERS, GENERAL						
Center Frequency		70		6000	MHz	
Gain						
Minimum			0		dB	
Maximum			74.5		dB	At 800 MHz
			73.0		dB	At 2300 MHz (RX1A_x, RX2A_x)
			72.0		dB	At 2300 MHz (RX1B_x, RX1C_x, RX2B_x, RX2C_x)
			65.5		dB	At 5500 MHz (RX1A_x, RX2A_x)
Gain Step			1		dB	
Received Signal Strength Indicator	RSSI					
Range			100		dB	
Accuracy			±2		dB	
RECEIVERS, 800 MHz						
Noise Figure	NF		2		dB	Maximum RX gain
Third-Order Input Intermodulation Intercept Point	IIP3		-18		dBm	Maximum RX gain
Second-Order Input Intermodulation Intercept Point	IIP2		40		dBm	Maximum RX gain
Local Oscillator (LO) Leakage			-122		dBm	At RX front-end input
Quadrature						
Gain Error			0.2		%	
Phase Error			0.2		Degrees	
Modulation Accuracy (EVM)			-42		dB	19.2 MHz reference clock
Input Return Loss	S ₁₁		-10		dB	
Receiver Channel 1 (RX1) to Receiver Channel 2 (RX2) Isolation						
RX1A_x to RX2A_x, RX1C_x to RX2C_x			70		dB	
RX1B_x to RX2B_x			55		dB	
RX2 to RX1 Isolation						
RX2A_x to RX1A_x, RX2C_x to RX1C_x			70		dB	
RX2B_x to RX1B_x			55		dB	
RECEIVERS, 2.4 GHz						
Noise Figure	NF		3		dB	Maximum RX gain
Third-Order Input Intermodulation Intercept Point	IIP3		-14		dBm	Maximum RX gain
Second-Order Input Intermodulation Intercept Point	IIP2		45		dBm	Maximum RX gain
LO Leakage			-110		dBm	At receiver front-end input

SPECIFICATIONS

Table 1. (Continued)

Parameter ¹	Symbol	Min	Typ	Max	Unit	Test Conditions/ Comments	
Quadrature Gain Error			0.2		%	40 MHz reference clock	
Phase Error			0.2		Degrees		
Modulation Accuracy (EVM)			-42		dB		
Input Return Loss	S ₁₁		-10		dB		
RX1 to RX2 Isolation							
RX1A_x to RX2A_x, RX1C_x to RX2C_x			65		dB		
RX1B_x to RX2B_x			50		dB		
RX2 to RX1 Isolation							
RX2A_x to RX1A_x, RX2C_x to RX1C_x			65		dB		
RX2B_x to RX1B_x			50		dB		
RECEIVERS, 5.5 GHz							
Noise Figure	NF		3.8		dB	Maximum RX gain	
Third-Order Input Intermodulation Intercept Point	IIP3		-17		dBm	Maximum RX gain	
Second-Order Input Intermodulation Intercept Point	IIP2		42		dBm	Maximum RX gain	
LO Leakage			-95		dBm	At RX front-end input	
Quadrature Gain Error			0.2		%	40 MHz reference clock (doubled internally for RF synthesizer)	
Phase Error			0.2		Degrees		
Modulation Accuracy (EVM)			-37		dB		
Input Return Loss	S ₁₁		-10		dB		
RX1A to RX2A Isolation			52		dB		
RX2A to RX1A Isolation			52		dB		
TRANSMITTERS—GENERAL							
Center Frequency		46.875		6000	MHz		
Power Control Range			90		dB		
Power Control Resolution			0.25		dB		
TRANSMITTERS, 800 MHz							
Output Return Loss	S ₂₂		-10		dB	1 MHz tone into 50 Ω load	
Maximum Output Power			8		dBm		
Modulation Accuracy (EVM)			-40		dB		
Third-Order Output Intermodulation Intercept Point	OIP3		23		dBm		
Carrier Leakage			-50		dBc		
			-32		dBc		
Noise Floor			-157		dBm/Hz		
Isolation							
Transmit Channel 1 (TX1) to Transmit Channel 2 (TX2)			50		dB		
TX2 to TX1			50		dB		

SPECIFICATIONS

Table 1. (Continued)

Parameter ¹	Symbol	Min	Typ	Max	Unit	Test Conditions/ Comments
TRANSMITTERS, 2.4 GHz						
Output Return Loss	S ₂₂		-10		dB	
Maximum Output Power			7.5		dBm	1 MHz tone into 50 Ω load
Modulation Accuracy (EVM)			-40		dB	40 MHz reference clock
Third-Order Output Intermodulation Intercept Point	OIP3		19		dBm	
Carrier Leakage			-50		dBc	0 dB attenuation
			-32		dBc	40 dB attenuation
Noise Floor			-156		dBm/Hz	90 MHz offset
Isolation						
TX1 to TX2			50		dB	
TX2 to TX1			50		dB	
TRANSMITTERS, 5.5 GHz						
Output Return Loss	S ₂₂		-10		dB	
Maximum Output Power				6.5		dBm
Modulation Accuracy (EVM)			-36		dB	40 MHz reference clock (doubled internally for RF synthesizer)
Third-Order Output Intermodulation Intercept Point	OIP3		17		dBm	
Carrier Leakage			-50		dBc	0 dB attenuation
			-30		dBc	40 dB attenuation
Noise Floor			-151.5		dBm/Hz	90 MHz offset
Isolation						
TX1 to TX2			50		dB	
TX2 to TX1			50		dB	
TX MONITOR INPUTS (TX_MON1, TX_MON2)						
Maximum Input Level			4		dBm	
Dynamic Range			66		dB	
Accuracy			1		dB	
LO SYNTHESIZER						
LO Frequency Step			2.4		Hz	2.4 GHz, 40 MHz reference clock
Integrated Phase Noise						
800 MHz			0.13		° rms	100 Hz to 100 MHz, 30.72 MHz reference clock (doubled internally for RF synthesizer)
2.4 GHz			0.37		° rms	100 Hz to 100 MHz, 40 MHz reference clock
5.5 GHz			0.59		° rms	100 Hz to 100 MHz, 40 MHz reference clock (doubled internally for RF synthesizer)

SPECIFICATIONS

Table 1. (Continued)

Parameter ¹	Symbol	Min	Typ	Max	Unit	Test Conditions/ Comments
REFERENCE CLOCK						The reference clock is either the input to the XTALP/XTALN pins or a line directly to the XTALN pin
Input						
Frequency Range		19		50	MHz	Crystal input
Signal Level		0.8		1.3	V p-p	External oscillator AC-coupled external oscillator. Larger swings close to max level give best performance.
AUXILIARY CONVERTERS						
ADC						
Resolution			12		Bits	
Input Voltage						
Minimum			0.05		V	
Maximum			VDDA1P3_BB - 0.05		V	
DAC						
Resolution			10		Bits	
Output Voltage						
Minimum			0.5		V	
Maximum			VDD_GPO - 0.3		V	
Output Current			10		mA	
DIGITAL SPECIFICATIONS (CMOS)						
Logic Inputs						
Input Voltage						
High		VDD_INTERFACE × 0.8		VDD_INTERFACE	V	
Low		0		VDD_INTERFACE × 0.2	V	
Input Current						
High		-10		+10	μA	
Low		-10		+10	μA	
Logic Outputs						
Output Voltage						
High		VDD_INTERFACE × 0.8			V	
Low				VDD_INTERFACE × 0.2	V	
DIGITAL SPECIFICATIONS (LOW VOLTAGE DIFFERENTIAL SIGNALING (LVDS))						
Logic Inputs						
Input Voltage Range		825		1575	mV	Each differential input in the pair
Input Differential Voltage Threshold		-100		+100	mV	
Receiver Differential Input Impedance			100		Ω	
Logic Outputs						

SPECIFICATIONS

Table 1. (Continued)

Parameter ¹	Symbol	Min	Typ	Max	Unit	Test Conditions/ Comments
Output Voltage						
High				1375	mV	
Low		1025			mV	
Output Differential Voltage		150			mV	Programmable in 75 mV steps
Output Offset Voltage			1200		mV	
GENERAL-PURPOSE OUTPUTS						
Output Voltage						
High		VDD_GPO × 0.8			V	
Low				VDD_GPO × 0.2	V	
Output Current			10		mA	
SERIAL PERIPHERAL INTERFACE (SPI) TIMING						
SPI_CLK						VDD_INTERFACE = 1.8 V
Period	t _{CP}	20			ns	
Pulse Width	t _{MP}	9			ns	
SPI_ENB Setup to First SPI_CLK Rising Edge	t _{SC}	1			ns	
Last SPI_CLK Falling Edge to SPI_ENB Hold	t _{HC}	0			ns	
SPI_DI						
Data Input Setup to SPI_CLK	t _S	2			ns	
Data Input Hold to SPI_CLK	t _H	1			ns	
SPI_CLK Rising Edge to Output Data Delay						
4-Wire Mode	t _{CO}	3		8	ns	
3-Wire Mode	t _{CO}	3		8	ns	
Bus Turnaround Time, Read	t _{HZM}	t _H		t _{CO (max)}	ns	After baseband processor (BBP) drives the last address bit
Bus Turnaround Time, Read	t _{HZS}	0		t _{CO (max)}	ns	After the AD9361S-CSH drives the last data bit
DIGITAL DATA TIMING (CMOS), VDD_INTERFACE = 1.8 V						
DATA_CLK_x Clock Period	t _{CP}	16.276			ns	61.44 MHz
DATA_CLK_x and FB_CLK_x Pulse Width TX Data	t _{MP}	45% of t _{CP}		55% of t _{CP}	ns	TX_FRAME_x, P0_Dx, and P1_Dx
Setup to FB_CLK_x	t _{STX}	1			ns	
Hold to FB_CLK_x	t _{HTX}	0			ns	
DATA_CLK_x to Data Bus Output Delay	t _{DRX}	0		1.5	ns	
DATA_CLK_x to RX_FRAME_x Delay	t _{DDV}	0		1.0	ns	
Pulse Width						
ENABLE	t _{ENPW}	t _{CP}			ns	
TXNRX	t _{TXNRXPW}	t _{CP}			ns	FDD independent enable state machine (ESM) mode
TXNRX Setup to ENABLE	t _{TXNRXSU}	0			ns	Time division duplex (TDD) ESM mode
Bus Turnaround Time						

SPECIFICATIONS

Table 1. (Continued)

Parameter ¹	Symbol	Min	Typ	Max	Unit	Test Conditions/ Comments
Before RX	t_{RPRE}	$2 \times t_{CP}$			ns	TDD mode
After RX	t_{RPST}	$2 \times t_{CP}$			ns	TDD mode
Capacitive Load			3		pF	
Capacitive Input			3		pF	
DIGITAL DATA TIMING (CMOS), VDD_INTERFACE = 2.5 V						
DATA_CLK_x Clock Period	t_{CP}	16.276			ns	61.44 MHz
DATA_CLK_x and FB_CLK_x Pulse Width TX Data	t_{MP}	45% of t_{CP}		55% of t_{CP}	ns	TX_FRAME_x, P0_Dx, and P1_Dx
Setup to FB_CLK_x	t_{STX}	1			ns	
Hold to FB_CLK_x	t_{HTX}	0			ns	
DATA_CLK_x to Data Bus Output Delay	t_{DDR}	0		1.2	ns	
DATA_CLK_x to RX_FRAME_x Delay Pulse Width	t_{DDV}	0		1.0	ns	
ENABLE	t_{ENPW}	t_{CP}			ns	
TXNRX	$t_{TXNRXPW}$	t_{CP}			ns	FDD independent ESM mode
TXNRX Setup to ENABLE Bus Turnaround Time	$t_{TXNRXSU}$	0			ns	TDD ESM mode
Before RX	t_{RPRE}	$2 \times t_{CP}$			ns	TDD mode
After RX	t_{RPST}	$2 \times t_{CP}$			ns	TDD mode
Capacitive Load			3		pF	
Capacitive Input			3		pF	
DIGITAL DATA TIMING (LVDS)						
DATA_CLK_x Clock Period	t_{CP}	4.069			ns	245.76 MHz
DATA_CLK_x and FB_CLK_x Pulse Width TX Data	t_{MP}	45% of t_{CP}		55% of t_{CP}	ns	TX_FRAME_x and TX_Dx_x
Setup to FB_CLK_x	t_{STX}	1			ns	
Hold to FB_CLK_x	t_{HTX}	0			ns	
DATA_CLK_x to Data Bus Output Delay	t_{DDR}	0.25		1.25	ns	
DATA_CLK_x to RX_FRAME_x Delay Pulse Width	t_{DDV}	0.25		1.25	ns	
ENABLE	t_{ENPW}	t_{CP}			ns	
TXNRX	$t_{TXNRXPW}$	t_{CP}			ns	FDD independent ESM mode
TXNRX Setup to ENABLE Bus Turnaround Time	$t_{TXNRXSU}$	0			ns	TDD ESM mode
Before RX	t_{RPRE}	$2 \times t_{CP}$			ns	
After RX	t_{RPST}	$2 \times t_{CP}$			ns	
Capacitive Load			3		pF	
Capacitive Input			3		pF	
SUPPLY CHARACTERISTICS						
1.3 V Main Supply Voltage VDD_INTERFACE Supply Nominal Settings		1.267	1.3	1.33	V	
CMOS		1.14		2.625	V	

SPECIFICATIONS

Table 1. (Continued)

Parameter ¹	Symbol	Min	Typ	Max	Unit	Test Conditions/ Comments
LVDS		1.71		2.625	V	
VDD_INTERFACE Tolerance		-5		+5	%	Tolerance is applicable to any voltage setting
VDD_GPO Supply Nominal		1.3		3.3	V	When unused, must be set to 1.3 V
Setting						
VDD_GPO Tolerance		-5		+5	%	Tolerance is applicable to any voltage setting
Current Consumption						
VDDA1P3_x, Sleep Mode			180		μA	Sum of all input currents
VDD_GPO			50		μA	No load

¹ When referencing a single function of a multifunction pin in the parameters, only the portion of the pin name that is relevant to the specification is listed. For full pin names of multifunction pins, refer to the [Pin Configuration and Function Descriptions](#) section.

CURRENT CONSUMPTION—VDD_INTERFACE

TX is transmit, and RX is receive.

Table 2. VDD_INTERFACE = 1.2 V

Parameter	Min	Typ	Max	Unit	Test Conditions/Comments
SLEEP MODE		45		μA	Power applied, device disabled
ONE RX CHANNEL, ONE TX CHANNEL, DOUBLE DATA RATE (DDR)					
Long-Term Evolution (LTE 10 MHz)					
Single Port		2.9		mA	30.72 MHz data clock, CMOS
Dual Port		2.7		mA	15.36 MHz data clock, CMOS
LTE 20 MHz					
Dual Port		5.2		mA	30.72 MHz data clock, CMOS
TWO RX CHANNELS, TWO TX CHANNELS, DDR					
LTE 3 MHz					
Dual Port		1.3		mA	7.68 MHz data clock, CMOS
LTE 10 MHz					
Single Port		4.6		mA	61.44 MHz data clock, CMOS
Dual Port		5.0		mA	30.72 MHz data clock, CMOS
LTE 20 MHz					
Dual Port		8.2		mA	61.44 MHz data clock, CMOS
Global System for Mobile Communications (GSM)					
Dual Port		0.2		mA	1.08 MHz data clock, CMOS

Table 3. VDD_INTERFACE = 1.8 V

Parameter	Min	Typ	Max	Unit	Test Conditions/Comments
SLEEP MODE		84		μA	Power applied, device disabled
ONE RX CHANNEL, ONE TX CHANNEL, DDR					
LTE 10 MHz					
Single Port		4.5		mA	30.72 MHz data clock, CMOS
Dual Port		4.1		mA	15.36 MHz data clock, CMOS

SPECIFICATIONS

Table 3. VDD_INTERFACE = 1.8 V (Continued)

Parameter	Min	Typ	Max	Unit	Test Conditions/Comments
LTE 20 MHz Dual Port		8.0		mA	30.72 MHz data clock, CMOS
TWO RX CHANNELS, TWO TX CHANNELS, DDR					
LTE 3 MHz Dual Port		2.0		mA	7.68 MHz data clock, CMOS
LTE 10 MHz Single Port		8.0		mA	61.44 MHz data clock, CMOS
Dual Port		7.5		mA	30.72 MHz data clock, CMOS
LTE 20 MHz Dual Port		14.0		mA	61.44 MHz data clock, CMOS
GSM Dual Port		0.3		mA	1.08 MHz data clock, CMOS

Table 4. VDD_INTERFACE = 2.5 V

Parameter	Min	Typ	Max	Unit	Test Conditions/Comments
SLEEP MODE		150		μA	Power applied, device disabled
ONE RX CHANNEL, ONE TX CHANNEL, DDR					
LTE 10 MHz Single Port		6.5		mA	30.72 MHz data clock, CMOS
Dual Port		6.0		mA	15.36 MHz data clock, CMOS
LTE 20 MHz Dual Port		11.5		mA	30.72 MHz data clock, CMOS
TWO RX CHANNELS, TWO TX CHANNELS, DDR					
LTE 3 MHz Dual Port		3.0		mA	7.68 MHz data clock, CMOS
LTE 10 MHz Single Port		11.5		mA	61.44 MHz data clock, CMOS
Dual Port		10.0		mA	30.72 MHz data clock, CMOS
LTE 20 MHz Dual Port		20.0		mA	61.44 MHz data clock, CMOS
GSM Dual Port		0.5		mA	1.08 MHz data clock, CMOS

CURRENT CONSUMPTION—VDDD1P3_DIG AND VDDA1P3_X (COMBINATION OF ALL 1.3 V SUPPLIES)

TX is transmit, and RX is receive.

Table 5. 800 MHz, TDD Mode

Parameter	Min	Typ	Max	Unit	Test Conditions/Comments
ONE RX CHANNEL					
5 MHz Bandwidth		180		mA	Continuous RX
10 MHz Bandwidth		210		mA	Continuous RX
20 MHz Bandwidth		260		mA	Continuous RX
TWO RX CHANNELS					
5 MHz Bandwidth		265		mA	Continuous RX
10 MHz Bandwidth		315		mA	Continuous RX
20 MHz Bandwidth		405		mA	Continuous RX

SPECIFICATIONS

Table 5. 800 MHz, TDD Mode (Continued)

Parameter	Min	Typ	Max	Unit	Test Conditions/Comments
ONE TX CHANNEL					
5 MHz Bandwidth					
7 dBm		340		mA	Continuous TX
-27 dBm		190		mA	Continuous TX
10 MHz Bandwidth					
7 dBm		360		mA	Continuous TX
-27 dBm		220		mA	Continuous TX
20 MHz Bandwidth					
7 dBm		400		mA	Continuous TX
-27 dBm		250		mA	Continuous TX
TWO TX CHANNELS					
5 MHz Bandwidth					
7 dBm		550		mA	Continuous TX
-27 dBm		260		mA	Continuous TX
10 MHz Bandwidth					
7 dBm		600		mA	Continuous TX
-27 dBm		310		mA	Continuous TX
20 MHz Bandwidth					
7 dBm		660		mA	Continuous TX
-27 dBm		370		mA	Continuous TX

Table 6. TDD Mode, 2.4 GHz

Parameter	Min	Typ	Max	Unit	Test Conditions/Comments
ONE RX CHANNEL					
5 MHz Bandwidth		175		mA	Continuous receive
10 MHz Bandwidth		200		mA	Continuous RX
20 MHz Bandwidth		240		mA	Continuous RX
TWO RX CHANNELS					
5 MHz Bandwidth		260		mA	Continuous RX
10 MHz Bandwidth		305		mA	Continuous RX
20 MHz Bandwidth		390		mA	Continuous RX
ONE TX CHANNEL					
5 MHz Bandwidth					
7 dBm		350		mA	Continuous TX
-27 dBm		160		mA	Continuous TX
10 MHz Bandwidth					
7 dBm		380		mA	Continuous TX
-27 dBm		220		mA	Continuous TX
20 MHz Bandwidth					
7 dBm		410		mA	Continuous TX
-27 dBm		260		mA	Continuous TX
TWO TX CHANNELS					
5 MHz Bandwidth					
7 dBm		580		mA	Continuous TX
-27 dBm		280		mA	Continuous TX
10 MHz Bandwidth					
7 dBm		635		mA	Continuous TX
-27 dBm		330		mA	Continuous TX

SPECIFICATIONS

Table 6. TDD Mode, 2.4 GHz (Continued)

Parameter	Min	Typ	Max	Unit	Test Conditions/Comments
20 MHz Bandwidth					
7 dBm		690		mA	Continuous TX
-27 dBm		390		mA	Continuous TX

Table 7. TDD Mode, 5.5 GHz

Parameter	Min	Typ	Max	Unit	Test Conditions/Comments
ONE RX CHANNEL					
5 MHz Bandwidth		175		mA	Continuous RX
40 MHz Bandwidth		275		mA	Continuous RX
TWO RX CHANNELS					
5 MHz Bandwidth		270		mA	Continuous RX
40 MHz Bandwidth		445		mA	Continuous RX
ONE TX CHANNEL					
5 MHz Bandwidth					
7 dBm		400		mA	Continuous TX
-27 dBm		240		mA	Continuous TX
40 MHz Bandwidth					
7 dBm		490		mA	Continuous TX
-27 dBm		385		mA	Continuous TX
TWO TX CHANNELS					
5 MHz Bandwidth					
7 dBm		650		mA	Continuous TX
-27 dBm		335		mA	Continuous TX
40 MHz Bandwidth					
7 dBm		820		mA	Continuous TX
-27 dBm		500		mA	Continuous TX

Table 8. FDD Mode, 800 MHz

Parameter	Min	Typ	Max	Unit
ONE RX CHANNEL, ONE TX CHANNEL				
5 MHz Bandwidth				
7 dBm		490		mA
-27 dBm		345		mA
10 MHz Bandwidth				
7 dBm		540		mA
-27 dBm		395		mA
20 MHz Bandwidth				
7 dBm		615		mA
-27 dBm		470		mA
TWO RX CHANNELS, ONE TX CHANNEL				
5 MHz Bandwidth				
7 dBm		555		mA
-27 dBm		410		mA
10 MHz Bandwidth				
7 dBm		625		mA
-27 dBm		480		mA
20 MHz Bandwidth				
7 dBm		740		mA

SPECIFICATIONS

Table 8. FDD Mode, 800 MHz (Continued)

Parameter	Min	Typ	Max	Unit
-27 dBm		600		mA
ONE RX CHANNEL, TWO TX CHANNELS				
5 MHz Bandwidth				
7 dBm		685		mA
-27 dBm		395		mA
10 MHz Bandwidth				
7 dBm		755		mA
-27 dBm		465		mA
20 MHz Bandwidth				
7 dBm		850		mA
-27 dBm		570		mA
TWO RX CHANNELS, TWO TX CHANNELS				
5 MHz Bandwidth				
7 dBm		790		mA
-27 dBm		495		mA
10 MHz Bandwidth				
7 dBm		885		mA
-27 dBm		590		mA
20 MHz Bandwidth				
7 dBm		1020		mA
-27 dBm		730		mA

Table 9. FDD Mode, 2.4 GHz

Parameter	Min	Typ	Max	Unit
ONE RX CHANNEL, ONE TX CHANNEL				
5 MHz Bandwidth				
7 dBm		500		mA
-27 dBm		350		mA
10 MHz Bandwidth				
7 dBm		540		mA
-27 dBm		390		mA
20 MHz Bandwidth				
7 dBm		620		mA
-27 dBm		475		mA
TWO RX CHANNELS, ONE TX CHANNEL				
5 MHz Bandwidth				
7 dBm		590		mA
-27 dBm		435		mA
10 MHz Bandwidth				
7 dBm		660		mA
-27 dBm		510		mA
20 MHz Bandwidth				
7 dBm		770		mA
-27 dBm		620		mA
ONE RX CHANNEL, TWO TX CHANNELS				mA
5 MHz Bandwidth				
7 dBm		730		mA
-27 dBm		425		mA

SPECIFICATIONS

Table 9. FDD Mode, 2.4 GHz (Continued)

Parameter	Min	Typ	Max	Unit
10 MHz Bandwidth				
7 dBm		800		mA
-27dBm		500		mA
20 MHz Bandwidth				
7 dBm		900		mA
-27 dBm		600		mA
TWO RX CHANNELS, TWO TX CHANNELS				mA
5 MHz Bandwidth				
7 dBm		820		
-27 dBm		515		mA
10 MHz Bandwidth				
7 dBm		900		mA
-27 dBm		595		mA
20 MHz Bandwidth				
7 dBm		1050		mA
-27 dBm		740		mA

Table 10. FDD Mode, 5.5 GHz

Parameter	Min	Typ	Max	Unit
ONE RX CHANNEL, ONE TX CHANNEL				
5 MHz Bandwidth				
7 dBm		550		mA
-27 dBm		385		mA
TWO RX CHANNELS, ONE TX CHANNEL				
5 MHz Bandwidth				
7 dBm		645		mA
-27 dBm		480		mA
ONE RX CHANNELS, TWO TX CHANNELS				
5 MHz Bandwidth				
7 dBm		805		mA
-27 dBm		480		mA
TWO RX CHANNELS, TWO TX CHANNELS				
5 MHz Bandwidth				
7 dBm		895		mA
-27 dBm		575		mA

BURN-IN DELTA LIMITS SPECIFICATIONS

Electrical characteristics at VDD_GPO = 3.3 V, VDD_INTERFACE = 1.8 V, VDDD1P3_DIG = 1.3 V, and all other VDDA1P3_x pins = 1.3 V. Deltas are performed at T_A = 25°C.

Table 11.

Parameter	Min	Typ	Max	Unit
SUPPLY CHARACTERISTICS				
Total Sleep Mode Current	-3		+3	mA
DIGITAL INPUT CURRENTS				
Low	-60		+60	nA
High	-60		+60	nA
TRANSMITTERS, 2.3 GHz				

SPECIFICATIONS

Table 11. (Continued)

Parameter	Min	Typ	Max	Unit
Fundamental Output Power	-1.5		+1.5	dBm

RADIATION TEST AND LIMIT SPECIFICATIONS

Electrical characteristics at VDD_GPO = 3.3 V, VDD_INTERFACE = 1.8 V, VDDD1P3_DIG = 1.3 V, and all other VDDA1P3_x pins = 1.3 V, T_A = 25°C, unless otherwise noted. Total ionizing dose (TID) testing characterized to 150 krad (100 krad + 50% overstress) with biased annealing at 100°C for 168 hours. Once characterized, TID testing is performed to 100 krad only.

Table 12.

Parameter	Test Conditions/Comments	Min	Typ	Max	Unit
SUPPLY CHARACTERISTICS					
Total Sleep Mode Current			2	14	mA
Total Active Mode Current			120	150	mA
DIGITAL INPUT CURRENTS					
Low		-0.1		+0.1	μA
High		-0.1		+0.1	μA
XTALN INPUT CURRENT					
Low	Reference clock input directly to the XTALN pin	-0.1		+0.1	μA
High		-200		+200	μA
RECEIVERS, 2.3 GHz					
LO Leakage	At receiver front-end input		-110	-75	dBm
RX1 to RX2 Isolation					
RX1A_x to RX2A_x, RX1C_x to RX2C_x		28	65		dB
RX1B_x to RX2B_x		28	50		dB
RX2 to RX1 Isolation					
RX2A_x to RX1A_x, RX2C_x to RX1C_x		28	65		dB
RX2B_x to RX1B_x		28	50		dB
TRANSMITTERS, 2.3 GHz					
Carrier Leakage	0 dB attenuation		-50	-42	dBc
	41.75 dB attenuation		-34	-25	dBc
Fundamental Output Power	0 dB attenuation	3.0	5.0		dBm

ABSOLUTE MAXIMUM RATINGS

Table 13.

Parameter	Rating
VDDD1P3_DIG, VDDA1P3_x ¹ to VSSx	-0.3 V to +1.4 V
VDD_INTERFACE to VSSx	-0.3 V to +3.0 V
VDD_GPO to VSSx	-0.3 V to +3.9 V
Logic Inputs and Outputs to VSSx	-0.3 V to VDD_INTERFACE + 0.3 V
Input Current to Any Pin Except Supplies	±10 mA
RF Inputs (Peak Power)	2.5 dBm
TX Monitor Input Power (Peak Power)	9 dBm
Package Power Dissipation	$(T_{JMAX} - T_A)/\theta_{JA}$
Maximum Junction Temperature (T_{JMAX})	110°C
Peak Reflow	240°C
Operating Temperature Range	-40°C to +85°C
Storage Temperature Range	-65°C to +150°C

¹ VDDA1P3_x refers to VDDA1P3_TX_LO, VDDA1P3_TX_VCO_LDO, VDDA1P3_RX_RF, VDDA1P3_RX_TX, VDDA1P3_RX_LO, VDDA1P3_TX_LO_BUFFER, VDDA1P3_RX_VCO_LDO, VDDA1P3_RX_SYNTH, VDDA1P3_TX_SYNTH, and VDDA1P3_BB.

Stresses at or above those listed under Absolute Maximum Ratings may cause permanent damage to the product. This is a stress rating only; functional operation of the product at these or any other conditions above those indicated in the operational section of this specification is not implied. Operation beyond the maximum operating conditions for extended periods may affect product reliability.

THERMAL RESISTANCE

Thermal performance is directly linked to printed circuit board (PCB) design and operating environment. Careful attention to PCB thermal design is required.

θ_{JA} is the natural convection junction to ambient thermal resistance measured in a one cubic foot sealed enclosure.

θ_{JCT} is the junction to case top thermal resistance.

Table 14. Thermal Resistance

Package Type	Airflow Velocity (m/sec)	$\theta_{JA}^{1,2}$	$\theta_{JCT}^{1,3}$	Unit
BC-144-7	0	32.3	9.6	°C/W
	1.0	29.6		°C/W
	2.5	27.8		°C/W

¹ Per JEDEC JESD51-7, plus JEDEC JESD51-5 2S2P test board.

² Per JEDEC JESD51-2 (still air) or JEDEC JESD51-6 (moving air).

³ Per MIL-STD 883, Method 1012.1.

OUTGAS TESTING

The criteria used for the acceptance and rejection of materials must be determined by the user and based upon specific component and system requirements. Historically, a total mass loss (TML) of 1.00% and collected volatile condensable material (CVCM) of 0.10% have been used as screening levels for rejection of spacecraft materials.

Table 15. Outgas Testing

Specification (Tested per ASTM E595-15)	Value	Unit
Total Mass Loss	0.18	%
Collected Volatile Condensable Material	<0.01	%
Water Vapor Recovered	0.05	%

RADIATION FEATURES

Table 16. Radiation Features

Specifications	Value	Unit
Maximum Total Dose Available (Dose Rate = 50 rad(Si)/s to 300 rad(Si)/s) ¹	100	krad(Si)
No SEL Occurs at Effective Linear Energy Transfer (LET) ²	≤80	MeV-cm ² /mg

¹ Guaranteed by device and process characterization. Contact Analog Devices, Inc., for data available up to 100 krads.

² Limits are characterized at initial qualification and after any design or process changes that may affect the SEL characteristics, but are not production lot tested unless specified by the customer through the purchase order or contract. For more information on single event effect (SEE) test results, contact Analog Devices for further data beyond published report on the Analog Devices website.

ESD CAUTION



ESD (electrostatic discharge) sensitive device. Charged devices and circuit boards can discharge without detection. Although this product features patented or proprietary protection circuitry, damage may occur on devices subjected to high energy ESD. Therefore, proper ESD precautions should be taken to avoid performance degradation or loss of functionality.

PIN CONFIGURATION AND FUNCTION DESCRIPTIONS

	1	2	3	4	5	6	7	8	9	10	11	12
A	RX2A_N	RX2A_P	DNC	VSSA	TX_MON2	VSSA	TX2A_N	TX2A_P	TX2B_N	TX2B_P	VDDA1P1_TX_VCO	TX_EXT_LO_IN
B	VSSA	VSSA	AUXDAC1	GPO_3	GPO_2	GPO_1	GPO_0	VDD_GPO	VDDA1P3_TX_LO	VDDA1P3_TX_VCO_LDO	TX_VCO_LDO_OUT	VSSA
C	RX2C_P	VSSA	AUXDAC2	TEST/ENABLE	CTRL_IN0	CTRL_IN1	VSSA	VSSA	VSSA	VSSA	VSSA	VSSA
D	RX2C_N	VDDA1P3_RX_RF	VDDA1P3_RX_TX	CTRL_OUT0	CTRL_IN3	CTRL_IN2	P0_D9/TX_D4_P	P0_D7/TX_D3_P	P0_D5/TX_D2_P	P0_D3/TX_D1_P	P0_D1/TX_D0_P	VSSD
E	RX2B_P	VDDA1P3_RX_LO	VDDA1P3_TX_LO_BUFFER	CTRL_OUT1	CTRL_OUT2	CTRL_OUT3	P0_D11/TX_D5_P	P0_D8/TX_D4_N	P0_D6/TX_D3_N	P0_D4/TX_D2_N	P0_D2/TX_D1_N	P0_D0/TX_D0_N
F	RX2B_N	VDDA1P3_RX_VCO_LDO	VSSA	CTRL_OUT6	CTRL_OUT5	CTRL_OUT4	VSSD	P0_D10/TX_D5_N	VSSD	FB_CLK_P	VSSD	VDDA1P3_DIG
G	RX_EXT_LO_IN	RX_VCO_LDO_OUT	VDDA1P1_RX_VCO	CTRL_OUT7	EN_AGC	ENABLE	RX_FRAME_N	RX_FRAME_P	TX_FRAME_P	FB_CLK_N	DATA_CLK_P	VSSD
H	RX1B_P	VSSA	VSSA	TXNRX	SYNC_IN	VSSA	VSSD	P1_D11/RX_D5_P	TX_FRAME_N	VSSD	DATA_CLK_N	VDD_INTERFACE
J	RX1B_N	VSSA	VDDA1P3_RX_SYNTH	SPI_DI	SPI_CLK	CLK_OUT	P1_D10/RX_D5_N	P1_D9/RX_D4_P	P1_D7/RX_D3_P	P1_D5/RX_D2_P	P1_D3/RX_D1_P	P1_D1/RX_D0_P
K	RX1C_P	VSSA	VDDA1P3_TX_SYNTH	VDDA1P3_BB	RESETB	SPI_ENB	P1_D8/RX_D4_N	P1_D6/RX_D3_N	P1_D4/RX_D2_N	P1_D2/RX_D1_N	P1_D0/RX_D0_N	VSSD
L	RX1C_N	VSSA	VSSA	RBIAS	AUXADC	SPL_DO	VSSA	VSSA	VSSA	VSSA	VSSA	VSSA
M	RX1A_P	RX1A_N	DNC	VSSA	TX_MON1	VSSA	TX1A_P	TX1A_N	TX1B_P	TX1B_N	XTALP	XTALN

ANALOG I/O DC POWER
 DIGITAL I/O GROUND
 DO NOT CONNECT

Figure 2. Pin Configuration, Top View

Table 17. Pin Function Descriptions

Pin No.	Type ¹	Mnemonic	Description
A1, A2	I	RX2A_N, RX2A_P	Receive Channel 2 Differential Input A. Each pin can be used as a single-ended input or combined to make a differential pair. Tie unused pins to ground.
A3, M3	DNC	DNC	Do Not Connect. Do not connect to these pins.
A4, A6, B1, B2, B12, C2, C7 to C12, F3, H2, H3, H6, J2, K2, L2, L3, L7 to L12, M4, M6	I	VSSA	Analog Ground. Tie these pins directly to the VSSD digital ground on the PCB (one ground plane).
A5	I	TX_MON2	Transmit Channel 2 Power Monitor Input. If this pin is unused, tie it to ground.
A7, A8	O	TX2A_N, TX2A_P	Transmit Channel 2 Differential Output A. Tie unused pins to 1.3 V.
A9, A10	O	TX2B_N, TX2B_P	Transmit Channel 2 Differential Output B. Tie unused pins to 1.3 V.
A11	I	VDDA1P1_TX_VCO	Transmit VCO Supply Input. Connect to B11.
A12	I	TX_EXT_LO_IN	External Transmit LO Input. If this pin is unused, tie it to ground.
B3	O	AUXDAC1	Auxiliary DAC 1 Output.
B4 to B7	O	GPO_3 to GPO_0	3.3 V Capable General-Purpose Outputs.
B8	I	VDD_GPO	2.5 V to 3.3 V Supply for the AUXDACx and General-Purpose Output Pins. When the VDD_GPO supply is not used, this supply must be set to 1.3 V.
B9	I	VDDA1P3_TX_LO	Transmit LO 1.3 V Supply Input. Connect to B10.
B10	I	VDDA1P3_TX_VCO_LDO	Transmit VCO LDO 1.3 V Supply Input. Connect to B9.
B11	O	TX_VCO_LDO_OUT	Transmit VCO LDO Output. Connect to A11 and a 1 μF bypass capacitor in series with a 1 Ω resistor to ground.
C1, D1	I	RX2C_P, RX2C_N	Receive Channel 2 Differential Input C. Each pin can be used as a single-ended input or combined to make a differential pair. These inputs experience degraded performance above 3 GHz. Tie unused pins to ground.
C3	O	AUXDAC2	Auxiliary DAC 2 Output.
C4	I	TEST/ENABLE	Test Input. Ground this pin for normal operation.
C5, C6, D6, D5	I	CTRL_IN0 to CTRL_IN3	Control Inputs. Use these pins for manual RX gain and TX attenuation control.
D2	I	VDDA1P3_RX_RF	Receiver 1.3 V Supply Input. Connect to D3.
D3	I	VDDA1P3_RX_TX	1.3 V Supply Input. Connect to D2.
D4, E4 to E6, F4 to F6, G4	O	CTRL_OUT0, CTRL_OUT1 to CTRL_OUT3, CTRL_OUT6 to CTRL_OUT4, CTRL_OUT7	Control Outputs. These pins are multipurpose outputs that have programmable functionality.
D7	I/O	P0_D9/TX_D4_P	Digital Data Port P0/Transmit Differential Input Bus. This is a dual function pin. As P0_D9, it functions as part of the 12-bit bidirectional parallel CMOS level Data Port 0.

PIN CONFIGURATION AND FUNCTION DESCRIPTIONS

Table 17. Pin Function Descriptions (Continued)

Pin No.	Type ¹	Mnemonic	Description
D8	I/O	P0_D7/TX_D3_P	Alternatively, as TX_D4_P, this pin can function as part of the LVDS 6-bit TX differential input bus with internal LVDS termination. Digital Data Port P0/Transmit Differential Input Bus. This is a dual function pin. As P0_D7, it functions as part of the 12-bit bidirectional parallel CMOS level Data Port 0. Alternatively, as TX_D3_P, this pin can function as part of the LVDS 6-bit TX differential input bus with internal LVDS termination.
D9	I/O	P0_D5/TX_D2_P	Digital Data Port P0/Transmit Differential Input Bus. This is a dual function pin. As P0_D5, it functions as part of the 12-bit bidirectional parallel CMOS level Data Port 0. Alternatively, as TX_D2_P, this pin can function as part of the LVDS 6-bit TX differential input bus with internal LVDS termination.
D10	I/O	P0_D3/TX_D1_P	Digital Data Port P0/Transmit Differential Input Bus. This is a dual function pin. As P0_D3, it functions as part of the 12-bit bidirectional parallel CMOS level Data Port 0. Alternatively, as TX_D1_P, this pin can function as part of the LVDS 6-bit TX differential input bus with internal LVDS termination.
D11	I/O	P0_D1/TX_D0_P	Digital Data Port P0/Transmit Differential Input Bus. This is a dual function pin. As P0_D1, it functions as part of the 12-bit bidirectional parallel CMOS level Data Port 0. Alternatively, as TX_D0_P, this pin can function as part of the LVDS 6-bit TX differential input bus with internal LVDS termination.
D12, F7, F9, F11, G12, H7, H10, K12	I	VSSD	Digital Ground. Tie these pins directly to the VSSA analog ground on the PCB (one ground plane).
E1, F1	I	RX2B_P, RX2B_N	Receive Channel 2 Differential Input B. Each pin can be used as a single-ended input or combined to make a differential pair. These inputs experience degraded performance above 3 GHz. Tie unused pins to ground.
E2	I	VDDA1P3_RX_LO	Receive LO 1.3 V Supply Input. Connect to F2.
E3	I	VDDA1P3_TX_LO_BUFFER	Transmit LO Buffer. 1.3 V Supply Input.
E7	I/O	P0_D11/TX_D5_P	Digital Data Port P0/Transmit Differential Input Bus. This is a dual function pin. As P0_D11, it functions as part of the 12-bit bidirectional parallel CMOS level Data Port 0. Alternatively, as TX_D5_P, this pin can function as part of the LVDS 6-bit TX differential input bus with internal LVDS termination.
E8	I/O	P0_D8/TX_D4_N	Digital Data Port P0/Transmit Differential Input Bus. This is a dual function pin. As P0_D8, it functions as part of the 12-bit bidirectional parallel CMOS level Data Port 0. Alternatively, as TX_D4_N, this pin can function as part of the LVDS 6-bit TX differential input bus with internal LVDS termination.
E9	I/O	P0_D6/TX_D3_N	Digital Data Port P0/Transmit Differential Input Bus. This is a dual function pin. As P0_D6, it functions as part of the 12-bit bidirectional parallel CMOS level Data Port 0. Alternatively, as TX_D3_N, this pin can function as part of the LVDS 6-bit TX differential input bus with internal LVDS termination.
E10	I/O	P0_D4/TX_D2_N	Digital Data Port P0/Transmit Differential Input Bus. This is a dual function pin. As P0_D4, it functions as part of the 12-bit bidirectional parallel CMOS level Data Port 0. Alternatively, as TX_D2_N, this pin can function as part of the LVDS 6-bit TX differential input bus with internal LVDS termination.
E11	I/O	P0_D2/TX_D1_N	Digital Data Port P0/Transmit Differential Input Bus. This is a dual function pin. As P0_D2, it functions as part of the 12-bit bidirectional parallel CMOS level Data Port 0. Alternatively, as TX_D1_N, this pin can function as part of the LVDS 6-bit TX differential input bus with internal LVDS termination.
E12	I/O	P0_D0/TX_D0_N	Digital Data Port P0/Transmit Differential Input Bus. This is a dual function pin. As P0_D0, it functions as part of the 12-bit bidirectional parallel CMOS level Data Port 0. Alternatively, as TX_D0_N, this pin can function as part of the LVDS 6-bit TX differential input bus with internal LVDS termination.
F2	I	VDDA1P3_RX_VCO_LDO	Receive VCO LDO 1.3 V Supply Input. Connect to E2.
F8	I/O	P0_D10/TX_D5_N	Digital Data Port P0/Transmit Differential Input Bus. This is a dual function pin. As P0_D10, it functions as part of the 12-bit bidirectional parallel CMOS level Data Port 0. Alternatively, as TX_D5_N, this pin can function as part of the LVDS 6-bit TX differential input bus with internal LVDS termination.

PIN CONFIGURATION AND FUNCTION DESCRIPTIONS

Table 17. Pin Function Descriptions (Continued)

Pin No.	Type ¹	Mnemonic	Description
F10, G10	I	FB_CLK_P, FB_CLK_N	Feedback Clock. These pins receive the FB_CLK_x signal that clocks in TX data. In CMOS mode, use FB_CLK_P as the input and tie FB_CLK_N to ground.
F12	I	VDDD1P3_DIG	1.3 V Digital Supply Input.
G1	I	RX_EXT_LO_IN	External Receive LO Input. If this pin is unused, tie it to ground.
G2	O	RX_VCO_LDO_OUT	Receive VCO LDO Output. Connect this pin directly to G3 and a 1 μ F bypass capacitor in series with a 1 Ω resistor to ground.
G3	I	VDDA1P1_RX_VCO	Receive VCO Supply Input. Connect this pin directly to G2 only.
G5	I	EN_AGC	Manual Control Input for AGC.
G6	I	ENABLE	Control Input. This pin moves the device through various operational states.
G7, G8	O	RX_FRAME_N, RX_FRAME_P	Receive Digital Data Framing Output Signal. These pins transmit the RX_FRAME_x signal that indicates whether the RX output data is valid. In CMOS mode, use RX_FRAME_P as the output and leave RX_FRAME_N unconnected.
G9, H9	I	TX_FRAME_P, TX_FRAME_N	Transmit Digital Data Framing Input Signal. These pins receive the TX_FRAME_x signal that indicates when TX data is valid. In CMOS mode, use TX_FRAME_P as the input and tie TX_FRAME_N to ground.
G11, H11	O	DATA_CLK_P, DATA_CLK_N	Receive Data Clock Output. These pins transmit the DATA_CLK_x signal that is used by the BBP to clock RX data. In CMOS mode, use DATA_CLK_P as the output and leave DATA_CLK_N unconnected.
H1, J1	I	RX1B_P, RX1B_N	Receive Channel 1 Differential Input B. Alternatively, each pin can be used as a single-ended input. These inputs experience degraded performance above 3 GHz. Tie unused pins to ground.
H4	I	TXNRX	Enable State Machine Control Signal. This pin controls the data port bus direction. A logic low selects the RX direction, and a logic high selects the TX direction.
H5	I	SYNC_IN	Input to Synchronize Digital Clocks Between Multiple AD9361S-CSH Devices. If this pin is unused, tie it to ground.
H8	I/O	P1_D11/RX_D5_P	Digital Data Port P1/Receive Differential Output Bus. This is a dual function pin. As P1_D11, it functions as part of the 12-bit bidirectional parallel CMOS level Data Port 1. Alternatively, as RX_D5_P, this pin can function as part of the LVDS 6-bit RX differential output bus with internal LVDS termination.
H12	I	VDD_INTERFACE	1.2 V to 2.5 V Supply for Digital I/O Pins (1.8 V to 2.5 V in LVDS Mode).
J3	I	VDDA1P3_RX_SYNTN	1.3 V Supply Input.
J4	I	SPI_DI	SPI Serial Data Input.
J5	I	SPI_CLK	SPI Clock Input.
J6	O	CLK_OUT	Output Clock. This pin can be configured to output either a buffered version of the external input clock, the digitally controlled crystal oscillator (DCXO), or a divided down version of the internal ADC clock.
J7	I/O	P1_D10/RX_D5_N	Digital Data Port P1/Receive Differential Output Bus. This is a dual function pin. As P1_D10, it functions as part of the 12-bit bidirectional parallel CMOS level Data Port 1. Alternatively, as RX_D5_N, this pin can function as part of the LVDS 6-bit RX differential output bus with internal LVDS termination.
J8	I/O	P1_D9/RX_D4_P	Digital Data Port P1/Receive Differential Output Bus. This is a dual function pin. As P1_D9, it functions as part of the 12-bit bidirectional parallel CMOS level Data Port 1. Alternatively, as RX_D4_P, this pin can function as part of the LVDS 6-bit RX differential output bus with internal LVDS termination.
J9	I/O	P1_D7/RX_D3_P	Digital Data Port P1/Receive Differential Output Bus. This is a dual function pin. As P1_D7, it functions as part of the 12-bit bidirectional parallel CMOS level Data Port 1. Alternatively, as RX_D3_P, this pin can function as part of the LVDS 6-bit RX differential output bus with internal LVDS termination.
J10	I/O	P1_D5/RX_D2_P	Digital Data Port P1/Receive Differential Output Bus. This is a dual function pin. As P1_D5, it functions as part of the 12-bit bidirectional parallel CMOS level Data Port 1. Alternatively, as RX_D2_P, this pin can function as part of the LVDS 6-bit RX differential output bus with internal LVDS termination.

PIN CONFIGURATION AND FUNCTION DESCRIPTIONS

Table 17. Pin Function Descriptions (Continued)

Pin No.	Type ¹	Mnemonic	Description
J11	I/O	P1_D3/RX_D1_P	Digital Data Port P1/Receive Differential Output Bus. This is a dual function pin. As P1_D3, it functions as part of the 12-bit bidirectional parallel CMOS level Data Port 1. Alternatively, as RX_D1_P, this pin can function as part of the LVDS 6-bit RX differential output bus with internal LVDS termination.
J12	I/O	P1_D1/RX_D0_P	Digital Data Port P1/Receive Differential Output Bus. This is a dual function pin. As P1_D1, it functions as part of the 12-bit bidirectional parallel CMOS level Data Port 1. Alternatively, as RX_D0_P, this pin can function as part of the LVDS 6-bit RX differential output bus with internal LVDS termination.
K1, L1	I	RX1C_P, RX1C_N	Receive Channel 1 Differential Input C. Alternatively, each pin can be used as a single-ended input. These inputs experience degraded performance above 3 GHz. Tie unused pins to ground.
K3	I	VDDA1P3_TX_SYNT	1.3 V Supply Input.
K4	I	VDDA1P3_BB	1.3 V Supply Input.
K5	I	RESETB	Asynchronous Reset. Logic low resets the device.
K6	I	SPI_ENB	SPI Enable Input. Set this pin to logic low to enable the SPI bus.
K7	I/O	P1_D8/RX_D4_N	Digital Data Port P1/Receive Differential Output Bus. This is a dual function pin. As P1_D8, it functions as part of the 12-bit bidirectional parallel CMOS level Data Port 1. Alternatively, as RX_D4_N, this pin can function as part of the LVDS 6-bit RX differential output bus with internal LVDS termination.
K8	I/O	P1_D6/RX_D3_N	Digital Data Port P1/Receive Differential Output Bus. This is a dual function pin. As P1_D6, it functions as part of the 12-bit bidirectional parallel CMOS level Data Port 1. Alternatively, as RX_D3_N, this pin can function as part of the LVDS 6-bit RX differential output bus with internal LVDS termination.
K9	I/O	P1_D4/RX_D2_N	Digital Data Port P1/Receive Differential Output Bus. This is a dual function pin. As P1_D4, it functions as part of the 12-bit bidirectional parallel CMOS level Data Port 1. Alternatively, as RX_D2_N, this pin can function as part of the LVDS 6-bit RX differential output bus with internal LVDS termination.
K10	I/O	P1_D2/RX_D1_N	Digital Data Port P1/Receive Differential Output Bus. This is a dual function pin. As P1_D2, it functions as part of the 12-bit bidirectional parallel CMOS level Data Port 1. Alternatively, as RX_D1_N, this pin can function as part of the LVDS 6-bit RX differential output bus with internal LVDS termination.
K11	I/O	P1_D0/RX_D0_N	Digital Data Port P1/Receive Differential Output Bus. This is a dual function pin. As P1_D0, it functions as part of the 12-bit bidirectional parallel CMOS level Data Port 1. Alternatively, as RX_D0_N, this pin can function as part of the LVDS 6-bit RX differential output bus with internal LVDS termination.
L4	I	RBIAS	Bias Input Reference. Connect this pin through a 14.3 kΩ (1% tolerance) resistor to ground.
L5	I	AUXADC	Auxiliary ADC Input. If this pin is unused, tie it to ground.
L6	O	SPI_DO	SPI Serial Data Output in 4-Wire Mode, or High-Z in 3-Wire Mode.
M1, M2	I	RX1A_P, RX1A_N	Receive Channel 1 Differential Input A. Alternatively, each pin can be used as a single-ended input. Tie unused pins to ground.
M5	I	TX_MON1	Transmit Channel 1 Power Monitor Input. When this pin is unused, tie it to ground.
M7, M8	O	TX1A_P, TX1A_N	Transmit Channel 1 Differential Output A. Tie unused pins to 1.3 V.
M9, M10	O	TX1B_P, TX1B_N	Transmit Channel 1 Differential Output B. Tie unused pins to 1.3 V.
M11, M12	I	XTALP, XTALN	Reference Frequency Crystal Connections. When a crystal is used, connect it between these two pins. When an external clock source is used, connect it to XTALN and leave XTALP unconnected.

¹ I is input, O is output, I/O is input/output, and DNC is do not connect.

TYPICAL PERFORMANCE CHARACTERISTICS

See the [AD9361](#) data sheet for a full set of Typical Performance Characteristics plots.

OUTLINE DIMENSIONS

Package Drawing (Option)	Package Type	Package Description
BC-144-7	CSP_BGA	144-Ball Chip Scale Package Ball Grid Array

For the latest package outline information and land patterns (footprints), go to [Package Index](#).

Updated: March 11, 2023

ORDERING GUIDE

Model	Temperature Range	Package Description	Packing Quantity	Package Option
AD9361BBC-CSH	-40°C to +85°C	144-Ball CSP_BGA (10mm x 10mm x 1.7mm)	Tray, 184	BC-144-7