

MAXIM

MAX9721 Evaluation Kit

Evaluates: MAX9721A/B/C

General Description

The MAX9721 evaluation kit (EV kit) is a fully assembled and tested circuit board that uses the MAX9721, a DirectDrive stereo headphone amplifier with -2V/V fixed gain for single 1.0V applications. The EV kit can be used to evaluate the MAX9721B (-1.5V/V fixed gain) and MAX9721C (-1V/V fixed gain).

Features

- ◆ Single Power Supply: 0.9V to 1.8V
- ◆ 20mW per Channel into 32 Ω
- ◆ 25mW per Channel into 16 Ω
- ◆ Low 0.006% THD+N
- ◆ 1 μ A (typ) IC Shutdown Current
- ◆ Fixed -2V/V Gain (MAX9721A)
- ◆ Surface-Mount Construction
- ◆ Fully Assembled and Tested

Component List

DESIGNATION	QTY	DESCRIPTION
C1, C2, C3	3	1 μ F \pm 10%, 10V X5R ceramic capacitors (0603) TDK C1608X5R1A105K
C4	1	4.7 μ F \pm 10%, 6.3V X5R ceramic capacitor (0603) TDK C1608X5R0J475K
C5, C6	2	0.47 μ F \pm 20%, 10V tantalum capacitors (0402) AVX TACK474M010
JU1	1	3-pin header
OUT	1	3.5mm SMT stereo headphone jack
OUTL, OUTR	2	Not installed, test points
U1	1	MAX9721AETC (4mm x 4mm 12-pin TQFN)
U2	0	Not installed, MAX9721AEBC-T (4 x 3 UCSP™)
None	1	Shunt
None	1	MAX9721 PC board

Ordering Information

PART	TEMP RANGE	IC PACKAGE
MAX9721EVKIT	0°C to +70°C	12 TQFN (4mm x 4mm)

Note: To evaluate the MAX9721B/C, request a MAX9721BETC/ MAX9721CETC free sample with a MAX9721 EV kit.

Quick Start

The MAX9721 EV kit is fully assembled and tested. Follow these steps to verify board operation. **Do not turn on the power supply until all connections are completed.**

Recommended Equipment

- 1.5V, 150mA power supply
 - Stereo headphone with 3.5mm plug
 - Audio source (i.e., CD player, cassette player)
- 1) Verify that JU1 has a shunt across pins 1 and 2 (SHDN = VDD).
 - 2) Plug the stereo headphone into the OUT jack.
 - 3) Connect the 1.5V power supply to the VDD pad and the power-supply ground to the GND pad.
 - 4) Connect the audio source to VINL and VINR pads.
 - 5) Turn on the power supply, and then turn on the audio source.

UCSP is a trademark of Maxim Integrated Products, Inc.

Component Suppliers

SUPPLIER	PHONE	FAX	WEBSITE
AVX	843-946-0238	843-626-3123	www.avxcorp.com
TDK	847-803-6100	847-390-4405	www.component.tdk.com

Note: Please indicate that you are using the MAX9721 when contacting these component suppliers.

MAXIM

Maxim Integrated Products 1

For pricing, delivery, and ordering information, please contact Maxim/Dallas Direct! at 1-888-629-4642, or visit Maxim's website at www.maxim-ic.com.

MAX9721 Evaluation Kit

Detailed Description

The MAX9721 EV kit evaluates a class AB DirectDrive stereo headphone amplifier with a -2V/V fixed gain. The EV kit delivers up to 20mW per channel into a 32Ω load and achieves 0.006% THD+N.

Jumper Selection

Jumper JU1 controls the $\overline{\text{SHDN}}$ pin of the MAX9721 IC. See Table 1 for JU1 function.

Evaluating MAX9721B/C

To evaluate the MAX9721B/C with the MAX9721 EV kit, replace the MAX9721AETC with a MAX9721BETC or MAX9721CETC.

Table 1. JU1 Function

SHUNT LOCATION	$\overline{\text{SHDN}}$ PIN	EV KIT OUTPUT
Pins 1 and 2	Connected to VDD	Enabled
Pins 2 and 3	Connected to GND	Disabled

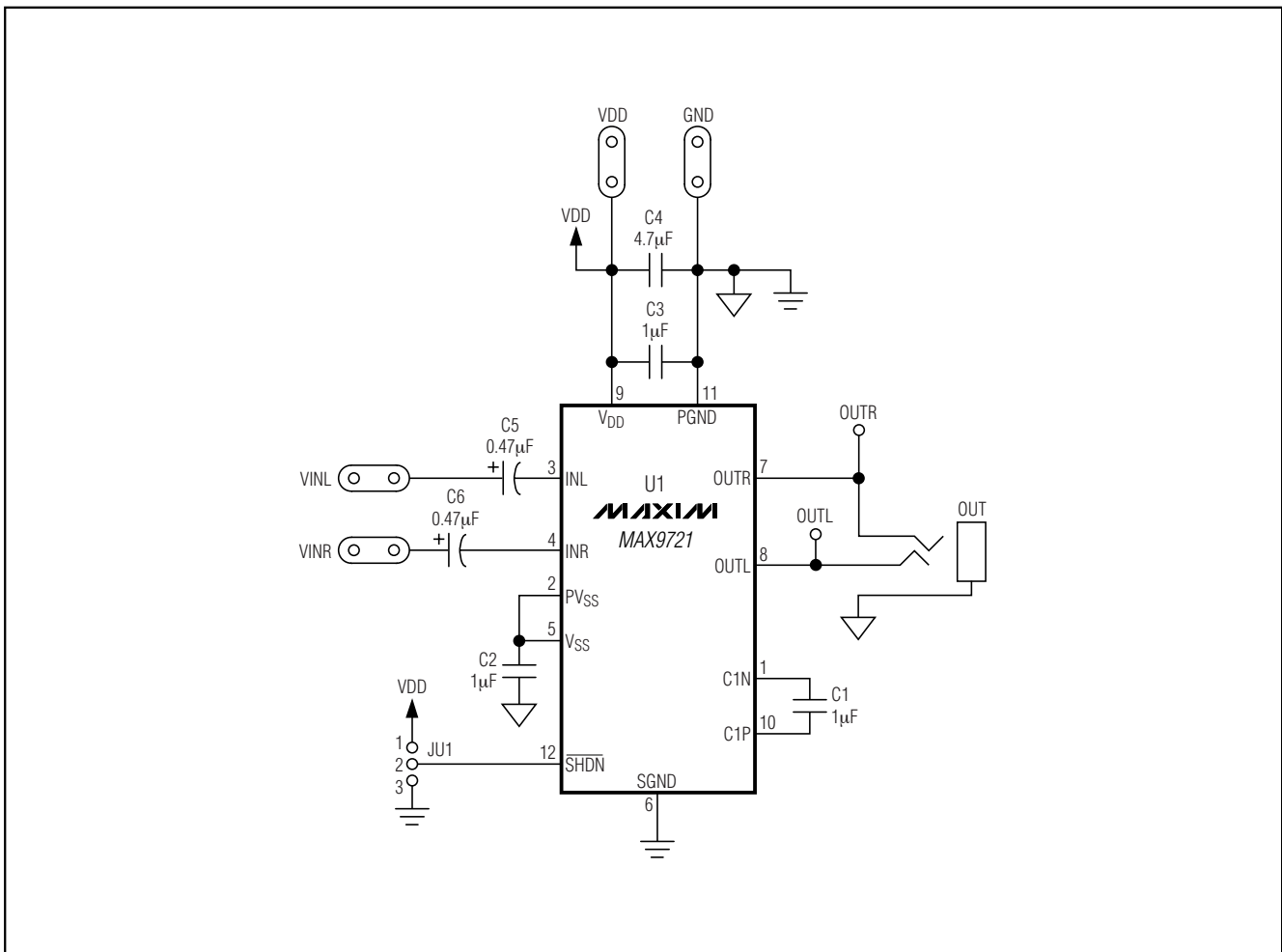


Figure 1. MAX9721 EV Kit Schematic

MAX9721 Evaluation Kit

Evaluates: MAX9721A/B/C

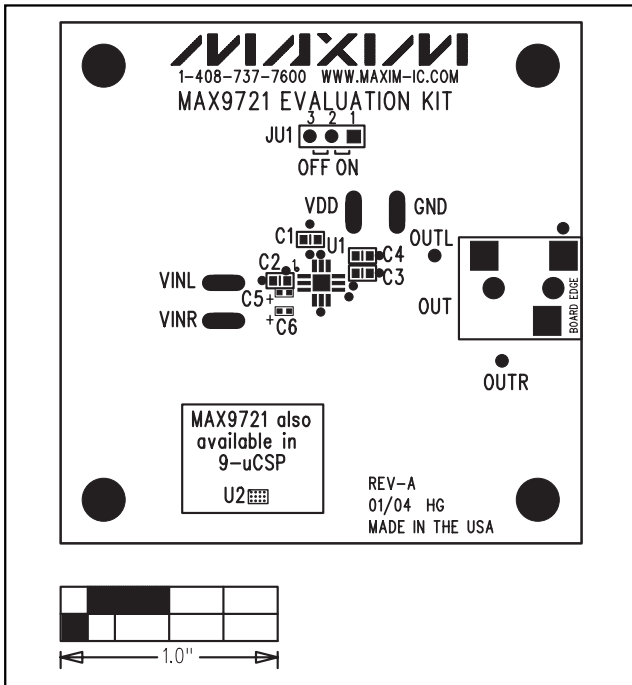


Figure 2. MAX9721 EV Kit Component Placement Guide—Component Side

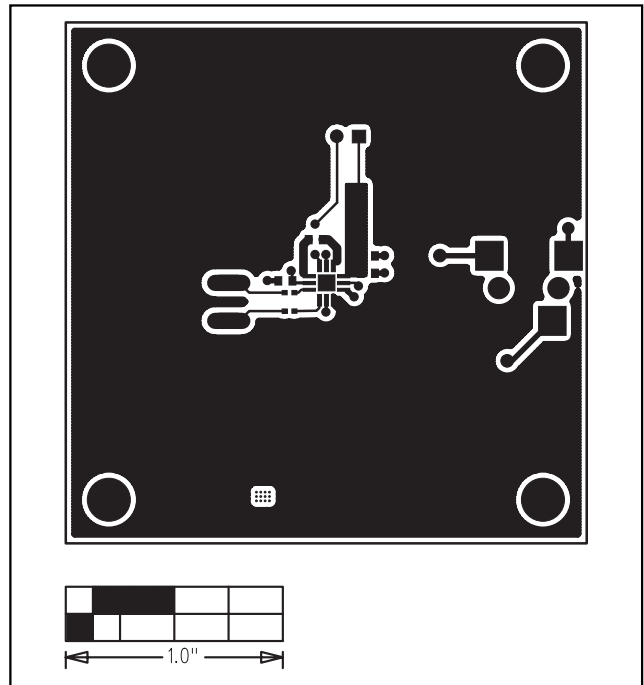


Figure 3. MAX9721 EV Kit PC Board Layout—Component Side

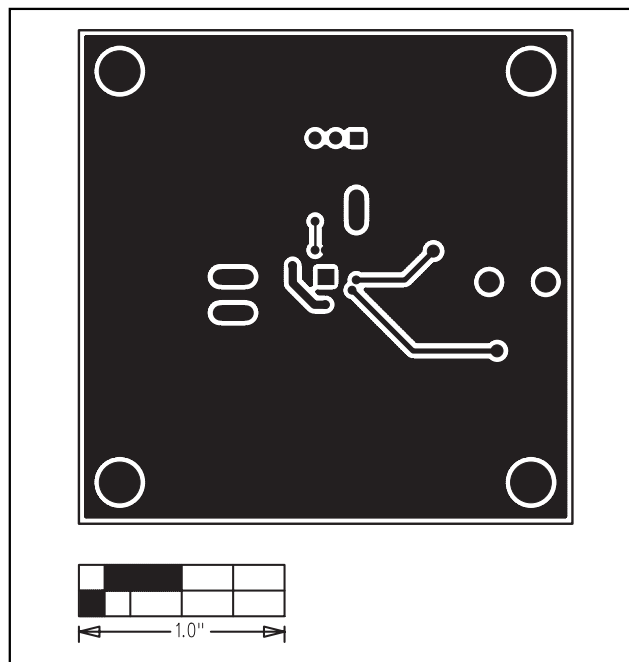


Figure 4. MAX9721 EV Kit PC Board Layout—Solder Side

Maxim cannot assume responsibility for use of any circuitry other than circuitry entirely embodied in a Maxim product. No circuit patent licenses are implied. Maxim reserves the right to change the circuitry and specifications without notice at any time.

Maxim Integrated Products, 120 San Gabriel Drive, Sunnyvale, CA 94086 408-737-7600 _____ **3**