

FEATURES

- C²B transmitter transmits video and bidirectional control data over a differential pair cable up to 30 meters or single-ended cable up to 15 meters
- The parallel video input formats supported include
 - 8-/10-/12-bit interleaved Y/C data up to 148.5 MHz
 - 2 × 8-bit separate Y/C data up to 74.25 MHz
- Embedded (SAV/EAV codes), separate HS/VS/DE or ISP line/frame valid type external timing signals
- HD video formats supported up to 2 megapixels at 30 Hz or 1 megapixel at 60 Hz
- Bidirectional control channel embedded in the C²B link for control and status data between C²B receiver and C²B transmitter
- Enables remote configuration of the C²B transmitter
- Bidirectional GPIO with either local or remote interfacing possibilities
- On-chip high resolution, high speed DAC, buffer and filtering blocks for video and control channel path
- Transmission of frame count data from ISP to enable the backend ECU or HU to detect stuck or skipped frames
- Video test pattern generator for easy system testing
- Protection from high voltages encountered during short to battery (STB) fault condition
- Tested to industry standards for automotive EMC/EMI/ESD robustness

General

- 2-wire serial microprocessor unit (MPU) interface (compatible with I²C) capable of operating in master or slave mode
- −40°C to +105°C temperature grade
- 40-lead LFCSP package
- AEC-Q100 qualified for automotive applications

APPLICATIONS

- Automotive camera modules
- Automotive camera ECUs
- Automotive infotainment HUs

SIMPLIFIED FUNCTIONAL BLOCK DIAGRAM

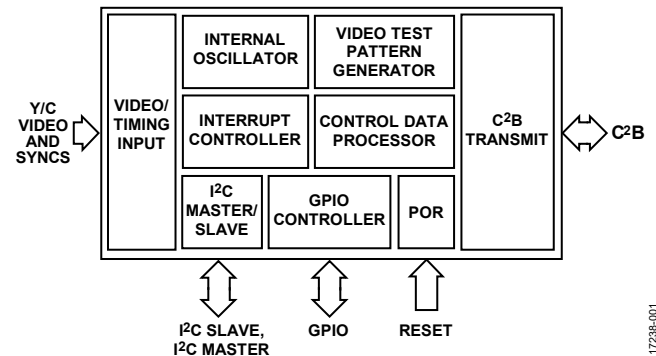


Figure 1.

Complete technical specifications are available for the C²B transmitters and receivers. Contact c2b_web_support@analog.com to complete the nondisclosure agreement (NDA) required to receive additional product information.

C²B U.S. patents pending.



Rev. Sp0

[Document Feedback](#)

Information furnished by Analog Devices is believed to be accurate and reliable. However, no responsibility is assumed by Analog Devices for its use, nor for any infringements of patents or other rights of third parties that may result from its use. Specifications subject to change without notice. No license is granted by implication or otherwise under any patent or patent rights of Analog Devices. Trademarks and registered trademarks are the property of their respective owners.

One Technology Way, P.O. Box 9106, Norwood, MA 02062-9106, U.S.A.
Tel: 781.329.4700 ©2019 Analog Devices, Inc. All rights reserved.
[Technical Support](#) www.analog.com

NOTES

I²C refers to a communications protocol originally developed by Philips Semiconductors (now NXP Semiconductors).