

### FEATURES

- ±1.5% Accuracy over Line, Load, and Temperature
- Low 800  $\mu$ A (Typical) Quiescent Current
- Shutdown Current: 1  $\mu$ A (Typical)
- Stable with 10  $\mu$ F Load Capacitor
- 2.5 V to 15 V Operating Range
- Fixed Output Voltage Options: 2.8 V, 3 V, 3.3 V, 5 V
- Up to 10 A Output Current
- R-8 Package
- 40°C to +85°C Ambient Temperature Range
- Internal Gate to Source Protective Clamp
- Current and Thermal Limiting
- Programmable Current Limit
- Foldback Current Limit

### APPLICATIONS

- Desktop Computers
- Handheld Instruments
- Cellular Telephones
- Battery-Operated Devices
- Solar Powered Instruments
- High Efficiency Linear Power Supplies
- Battery Chargers

### GENERAL DESCRIPTION

The ADP3310 is a precision voltage regulator controller that can be used with an external power PMOS device, such as the NDP6020P, to form a two-chip low dropout linear regulator. The low quiescent current (800  $\mu$ A) and the enable feature make this device especially suitable for battery-powered systems. The dropout voltage at 1 A is only 70 mV when used with the NDP6020P, allowing operation with minimal headroom and prolonging battery useful life. The ADP3310 can drive a wide range of currents, depending on the external PMOS device used.

Additional features of this device include: high accuracy ( $\pm 1.5\%$ ) over line, load, and temperature, gate-to-source voltage clamp to protect the external MOSFET, and foldback current limit. A current limit threshold voltage of 50 mV (typ) allows 50 m $\Omega$  of board metal trace resistance to provide a 1 A current limit.

The ADP3310 operates from a wide input voltage range from 2.5 V to 15 V and is available in a small R-8 package.

### FUNCTIONAL BLOCK DIAGRAM

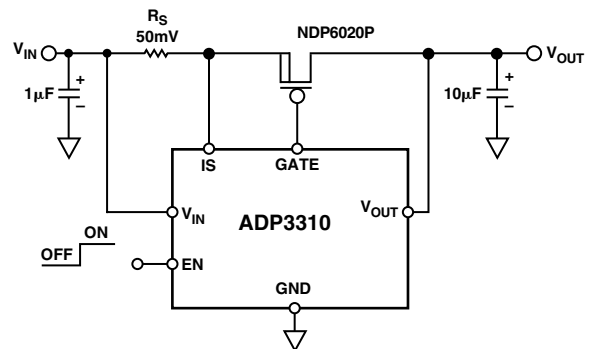
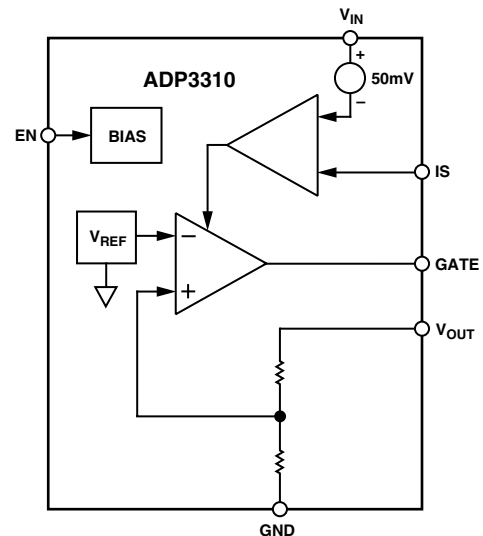


Figure 1. Typical Application Circuit

### REV. B

Information furnished by Analog Devices is believed to be accurate and reliable. However, no responsibility is assumed by Analog Devices for its use, nor for any infringements of patents or other rights of third parties that may result from its use. No license is granted by implication or otherwise under any patent or patent rights of Analog Devices.

# ADP3310—SPECIFICATIONS ( $V_{IN} = V_{OUT} + 1\text{ V}$ , $T_A = -40^\circ\text{C}$ to $+85^\circ\text{C}$ , unless otherwise noted.)

Parameter	Conditions	Symbol	Min	Typ	Max	Units
OUTPUT VOLTAGE ACCURACY (Figure 1)	$V_{IN} = V_{OUT} + 1\text{ V}$ to $15\text{ V}$ $V_{EN} = 2\text{ V}$ , $I_{OUT} = 10\text{ mA}$ to $1\text{ A}$	$V_{OUT}$	-1.5		+1.5	%
QUIESCENT CURRENT						
Shutdown Mode	$V_{EN} = 0\text{ V}$	$I_{GND}$		1	10	$\mu\text{A}$
Normal Mode	$V_{EN} = 2\text{ V}$ , $I_{OUT} = 500\text{ }\mu\text{A}$	$I_{GND}$		800	1000	$\mu\text{A}$
GATE TO SOURCE CLAMP VOLTAGE	$V_{OUT} = 0\text{ V}$ , $V_{IN} = 15\text{ V}$			8	10	V
GATE DRIVE MINIMUM VOLTAGE				0.7		V
GATE DRIVE CURRENT (SINK/SOURCE)			1			mA
GAIN $\left(\frac{\Delta V_{GS}}{\Delta V_{OUT}}\right)$				80		dB
CURRENT LIMIT THRESHOLD VOLTAGE	$V_{IN} - V_{IS}$		40	50	80	mV
LOAD REGULATION	$I_{OUT} = 10\text{ mA}$ to $1\text{ A}$		-10		+10	mV
LINE REGULATION	$V_{IN} = V_{OUT} + 1\text{ V}$ to $15\text{ V}$ $I_{OUT} = 100\text{ mA}$		-10		+10	mV
SHUTDOWN INPUT VOLTAGE	$V_{IH}$ $V_{IL}$	$V_{EN}$	2.0		0.4	V V
SHUTDOWN INPUT CURRENT	$V_{EN} = 0\text{ V}$ to $5.0\text{ V}$	$I_{EN}$	-10		+10	$\mu\text{A}$

Specifications subject to change without notice.

## ABSOLUTE MAXIMUM RATINGS\*

Input Voltage, $V_{IN}$	20 V
Enable Input Voltage	0.3 V to $V_{IN} + 0.3\text{ V}$
Operating Junction Temperature Range	$-40^\circ\text{C}$ to $+125^\circ\text{C}$
Operating Temperature Range	$-40^\circ\text{C}$ to $+85^\circ\text{C}$
Storage Temperature Range	$-65^\circ\text{C}$ to $+150^\circ\text{C}$
Lead Temperature (Soldering, 10 sec)	$300^\circ\text{C}$
Vapor Phase (60 sec)	$215^\circ\text{C}$
Infrared (15 sec)	$220^\circ\text{C}$
$\theta_{JA}$ (Four-Layer Board)	$121^\circ\text{C/W}$
$\theta_{JA}$ (Two-Layer Board)	$150^\circ\text{C/W}$

\*This is a stress rating only; operation beyond these limits can cause the device to be permanently damaged.

## CAUTION

ESD (electrostatic discharge) sensitive device. Electrostatic charges as high as 4000 V readily accumulate on the human body and test equipment and can discharge without detection. Although the ADP3310 features proprietary ESD protection circuitry, permanent damage may occur on devices subjected to high energy electrostatic discharges. Therefore, proper ESD precautions are recommended to avoid performance degradation or loss of functionality.

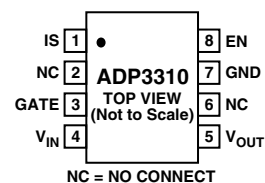


## ORDERING GUIDE

Model	Output Voltage	Package Option*
ADP3310AR-2.8	2.8 V	SOIC-8
ADP3310AR-3	3 V	SOIC-8
ADP3310AR-3.3	3.3 V	SOIC-8
ADP3310AR-5	5 V	SOIC-8

\*SO = Small Outline. Contact the factory for the availability of other output voltage options from 5 V to 16.5 V.

## PIN CONFIGURATION



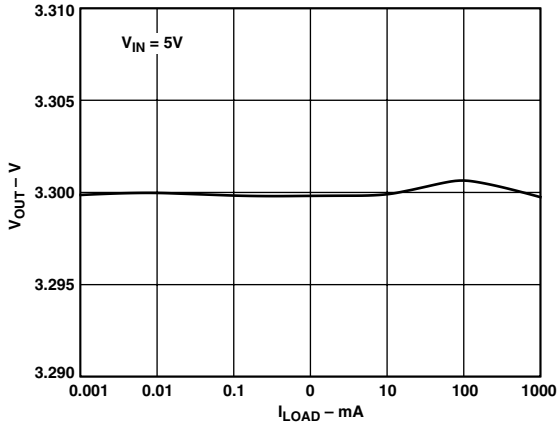
## PIN FUNCTION DESCRIPTIONS

Pin No.	Mnemonic	Function
1	IS	Current Sense. Connected to the more negative terminal of the sense resistor as well as the power MOSFET's source pin. IS must be tied to the $V_{IN}$ pin if the current limit feature is not used.
2, 6	NC	No Connect
3	GATE	Gate Drive for the External MOSFET
4	$V_{IN}$	Input Voltage. This is also the positive terminal connection of the current sense resistor.
5	$V_{OUT}$	Output Voltage Sense. This pin is connected to the MOSFET's drain and directly to the load for optimal load regulation. Bypass to ground with a 10 $\mu$ F or larger capacitor.
7	GND	Device Ground. This pin should be tied to system ground closest to the load.
8	EN	Enable. Pulling this pin to a logic high or tying the pin to the input voltage will enable the output. Pulling this pin low will disable the regulator output.

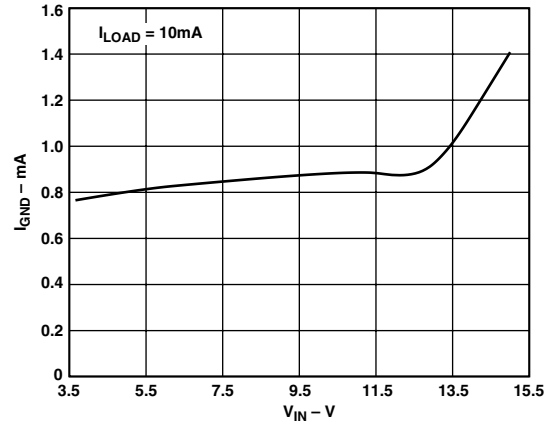
Table I. Alternate PMOS Devices

PMOS	NDP6020P	IRF7404	Si9434DY
<b>Manufacturer</b>	Fairchild	IR	Temic
<b><math>R_{DS(ON)}</math></b>	0.075 $\Omega$ @ $V_{GS} = -2.5$ V	0.06 $\Omega$ @ $V_{GS} = -2.7$ V	0.06 $\Omega$ @ $V_{GS} = -2.5$ V
<b><math>I_D</math> Continuous @ 25°C</b>	-27 A @ $V_{GS} = -4.5$ V	-5.3 A @ $V_{GS} = -4.5$ V	-6.4 A
<b><math>P_D</math> @ 25°C</b>	75 W	1.6 W	2.5 W
<b>Derating Factor</b>	0.5 W/°C	0.011 W/°C	1.6 W @ 70°C
<b>Package</b>	TO-220	SOIC-8	SOIC-8

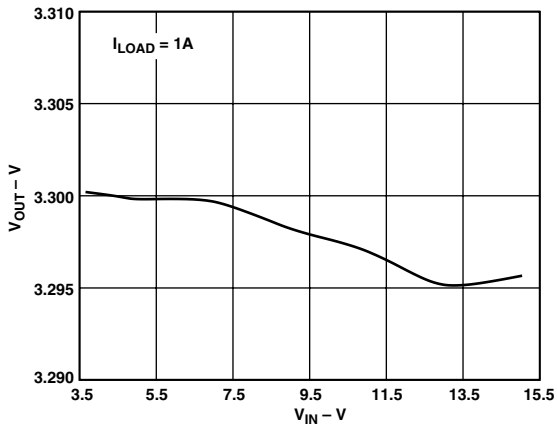
# ADP3310—Typical Performance Characteristics (Circuit of Figure 1)



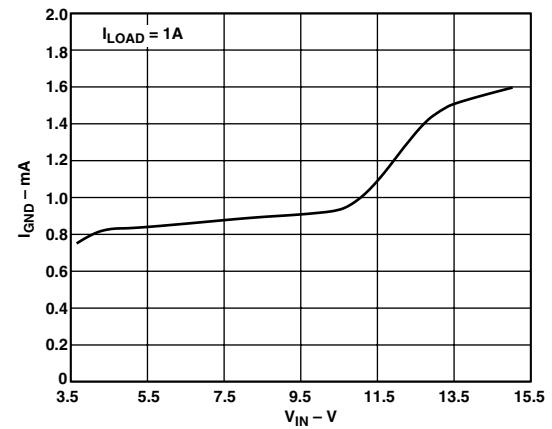
TPC 1.  $V_{OUT}$  vs.  $I_{LOAD}$  ( $V_{IN} = 5 V$ )



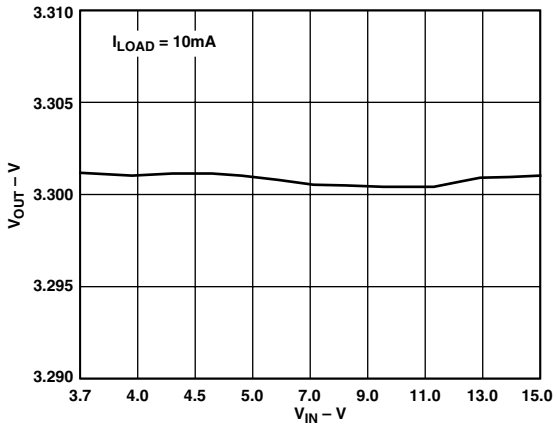
TPC 4.  $I_{GND}$  vs.  $V_{IN}$  ( $I_{LOAD} = 10 mA$ )



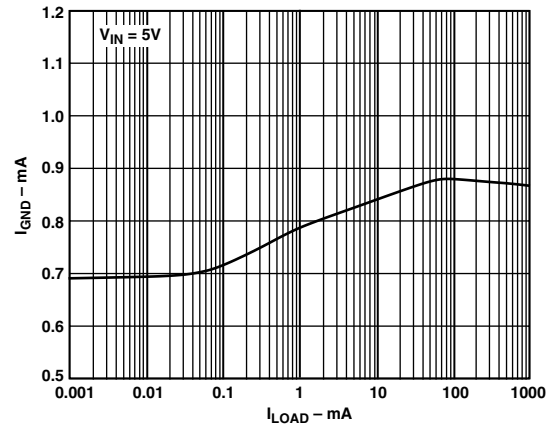
TPC 2.  $V_{OUT}$  vs.  $V_{IN}$  ( $I_{LOAD} = 1 A$ )



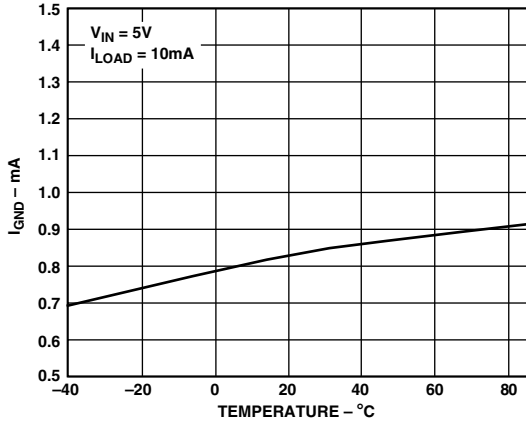
TPC 5.  $I_{GND}$  vs.  $V_{IN}$  ( $I_{LOAD} = 1 A$ )



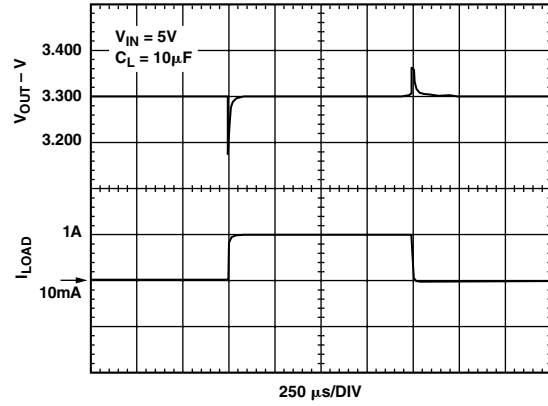
TPC 3.  $V_{OUT}$  vs.  $V_{IN}$  ( $I_{LOAD} = 10 mA$ )



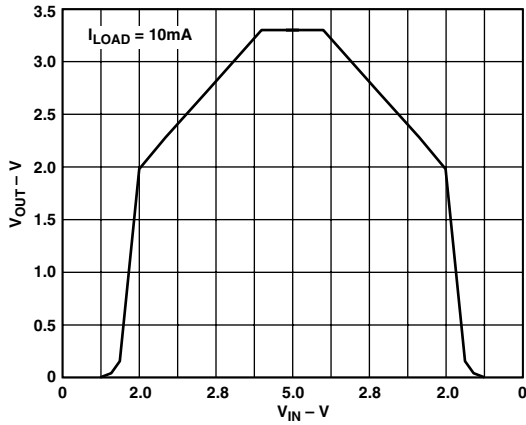
TPC 6.  $I_{GND}$  vs.  $I_{LOAD}$  ( $V_{IN} = 5 V$ )



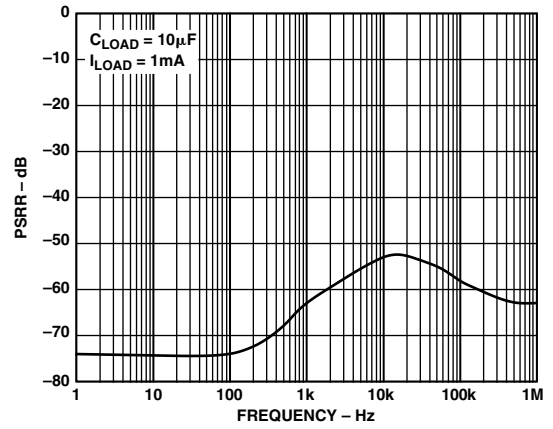
TPC 7. Quiescent Current vs. Temperature



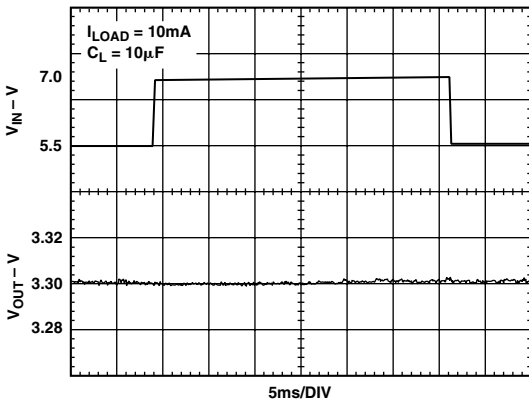
TPC 10. Load Transient Response



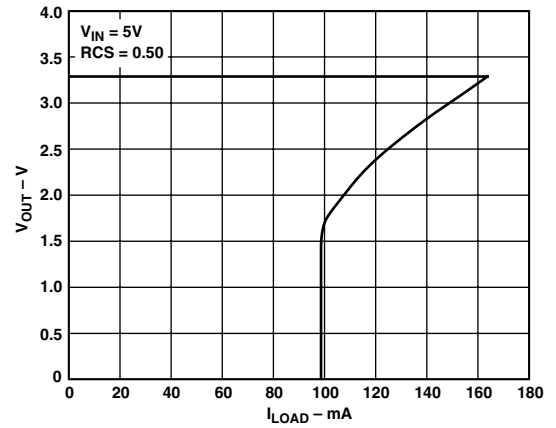
TPC 8. Power-Up/Power-Down



TPC 11. Ripple Rejection



TPC 9. Line Transient Response—(10  $\mu$ F Load)



TPC 12. Foldback Current

# ADP3310

## APPLICATION INFORMATION

The ADP3310 is very easy to use. A P-channel power MOSFET and a small capacitor on the output is all that is needed to form an inexpensive ultralow dropout regulator. The advantage of using the ADP3310 controller is that it can drive a pass PMOS FET to provide a regulated output at high current.

### FET Selection

The type and size of the pass transistor are determined by the threshold voltage, input-output voltage differential, and load current. The selected PMOS must satisfy the physical and thermal design requirements. Table I shows a partial list of manufacturers providing the PMOS devices. To ensure that the maximum  $V_{GS}$  provided by the controller will turn on the FET at worst case conditions (i.e., temperature and manufacturing tolerances), the maximum available  $V_{GS}$  must be determined. Maximum  $V_{GS}$  is calculated as follows:

$$(1) \quad V_{GS} = V_{IN} - V_{BE} - I_{OMAX} \times R_S$$

$I_{OMAX}$  = Maximum Output Current  
 $R_S$  = Current Sense Resistor  
 $V_{BE} \sim 0.7 \text{ V}$  (Room Temp)  
 $\sim 0.5 \text{ V}$  (Hot)  
 $\sim 0.9 \text{ V}$  (Cold)

For Example:  $V_{IN} = 5 \text{ V}$ ,  $V_O = 3.3 \text{ V}$  and  $I_{OMAX} = 3 \text{ A}$ ,  
 $V_{GS} = 5 \text{ V} - 0.7 \text{ V} - 3 \text{ A} \times 11 \text{ m}\Omega = 4.27 \text{ V}$

Equation (1) applies to a gate-to-source voltage less than the gate to source clamp voltage.

$$(2) \quad V_{DS} = V_{IN} - V_O$$
$$V_{DS} = 5 \text{ V} - 3.3 \text{ V} = 1.7 \text{ V}$$

If  $V_{IN} \leq 5 \text{ V}$ , logic level FET should be considered.  
If  $V_{IN} > 5 \text{ V}$ , either logic level or standard MOSFET can be used.

The difference between  $V_{IS}$  and  $V_{OUT}$  ( $V_{DS}$ ) must exceed the voltage drop due to the load current and the on resistance of the FET. As a safety margin, it is recommended to use a MOSFET with a  $V_{GS}$  at least 1.5 times lower than the calculated  $V_{GS}$  value from Equation 1. Also, in the event the circuit is shorted to ground, the MOSFET must be able to conduct the maximum short circuit current. The selected MOSFET must satisfy these criteria; otherwise, a different pass device should be used. If the FET data is not available in the catalog, contact the FET manufacturer.

### Thermal Design

The maximum allowable thermal resistance between the FET junction and the highest ambient temperature must be taken into account to determine the type of FET package used. One square inch of PCB copper area as heat sink yields a typical  $\theta_{JA} \sim 60^\circ\text{C}/\text{W}$  for the SOT-223 package and  $\theta_{JA} \sim 50^\circ\text{C}/\text{W}$  for the SOIC-8 package. For substantially lower thermal resistances, D<sup>2</sup>PAK or TO-220 types of packages are recommended.

For normal applications, the FET can be directly mounted to the PCB. But, for higher power applications, an external heat sink is required to satisfy the  $\theta_{JA}$  requirement and provide adequate heat sink.

Calculating thermal resistance for  $V_{IN} = 5 \text{ V}$ ,  $V_O = 3.3 \text{ V}$ , and  $I_O = 3 \text{ A}$ :

$$\theta_{JA} = \frac{T_J - T_{AMBMAX}}{(V_{DSMAX} \times I_{OMAX})}$$

$T_J$  = Junction Temperature  
 $T_{AMBMAX}$  = Maximum Ambient Temperature

$V_{DSMAX}$  = Maximum Drain to Source Voltage

$I_{OMAX}$  = Maximum Output Current

$$\theta_{JA} = \frac{125 - 50}{1.7 \times 3} = 14.7^\circ\text{C}/\text{W}$$

For such a low  $\theta_{JA}$ , a P-channel FET from Fairchild, such as the NDP6020P, in a heat sink mountable TO-220 package, is required. The required external heat sink is determined as follows:

$$\theta_{CA} = \theta_{JA} - \theta_{JC}$$

$\theta_{CA}$  = Case-to-Ambient Thermal Resistance

$\theta_{JA}$  = Junction-to-Ambient Thermal Resistance

$\theta_{JC}$  = Junction-to-Case Thermal Resistance

$\theta_{JA} = 2^\circ\text{C}/\text{W}$  for NDP6020P

$$\theta_{CA} = 14.7^\circ\text{C}/\text{W} - 2^\circ\text{C}/\text{W} = 12.7^\circ\text{C}/\text{W}$$

For a safety margin, select a heat sink with a  $\theta_{CA}$  less than half of the value calculated above to allow extended duration of short circuit. In a natural convection environment, a large heat sink such as 3" length of Type 63020 extrusion from Aavid Engineering is required.

### External Capacitors

The ADP3310 is stable with virtually any good quality capacitors (anyCAP<sup>®</sup>), independent of the capacitor's minimum ESR (effective series resistance) value. The actual value of the capacitor and its associated ESR depends on the  $g_m$  and capacitance of the external PMOS device. A 10  $\mu\text{F}$  capacitor at the output is sufficient to ensure stability for up to 10 A output current. Larger capacitors can be used if high output current surges are anticipated. Extremely low ESR capacitors ( $\text{ESR} \approx 0$ ), such as multilayer ceramic or OSCON, are preferred because they offer lower ripple on the output. For less demanding requirements, a standard tantalum or even an aluminum electrolytic is adequate. However, if an aluminum electrolytic is used, be sure it meets the temperature requirements because aluminum electrolytic has poor performance over temperature.

### Shutdown Mode

Applying a TTL high signal to the EN pin, or tying it to the input pin, will enable the output. Pulling this pin low or tying it to ground will disable the output. In shutdown mode, the controller's quiescent current is reduced to less than 1  $\mu\text{A}$ .

### Gate-to-Source Clamp

An 8 V gate-to-source voltage clamp is provided to protect the MOSFET in the event the output is suddenly shorted to ground. This allows the use of the new, low on-state resistance ( $R_{DSON}$ ) FETs.

### Short Circuit Protection

The power FET is protected during short circuit conditions with a foldback type of current limiting that significantly reduces the current.

### Current Sense Resistor

Current limit is achieved by setting an appropriate current sense resistor ( $R_S$ ) across the current limit threshold voltage. Current limit sense resistor  $R_S$  is calculated as follows:

$$R_S = \frac{0.05}{(1.5 \times I_O)}$$

anyCAP is a registered trademark of Analog Devices, Inc.

Current Limit Threshold Voltage = 0.05 V

Safety Factor = 1.5

$I_O$  = Output Current

$R_S$  is not needed in circuits that do not require current limiting. In that case, the IS pin must be tied to the input pin.

The simplest and cheapest sense resistor for high current applications, (i.e., Figure 1) is a PCB trace. The temperature dependence of the copper trace and the thickness tolerances of the trace must be taken into account in the design. The resistivity of copper has a positive temperature coefficient of +0.39%/°C. Copper's Tempco in conjunction with the proportional-to-absolute temperature (PTAT) current limit voltage can provide an accurate current limit. Table II provides the resistance value for PCB copper traces. Alternately, an appropriate sense resistor, such as surface-mount sense resistors available from KRL, can be used.

### PCB Layout Issues

For optimum voltage regulation, place the load as close as possible to the device's  $V_{OUT}$  and GND pins. It is recommended to use dedicated PCB traces to connect the MOSFET's drain to the positive terminal and GND to the negative terminal of the load to avoid voltage drops along the high current carrying PCB traces.

### Application Circuits

#### Typical 3 A LDO Circuit

The ADP3310 and a power MOSFET can be used to power the new generation of CPUs and microprocessors from the standard 5 V supply at a very low cost (Figure 2). This circuit provides low dropout, fast switching, and high switching load current from 0 A to 3 A. Due to the high switching load current, capacitors with high ripple current carrying capability, such as OSCON or special tantalum capacitors from Sprague (593D), are recommended for the output.

Table II. Printed Circuit Copper Resistance

Conductor Thickness	Conductor Width In	Resistance mΩ/In
1/2 oz/ft <sup>2</sup> (18 μm)	0.025	39.3
	0.050	19.7
	0.100	9.83
	0.200	4.91
	0.500	1.97
1 oz/ft <sup>2</sup> (35 μm)	0.025	19.7
	0.050	9.83
	0.100	4.91
	0.200	2.46
	0.500	0.98
2 oz/ft <sup>2</sup> (70 μm)	0.025	9.83
	0.050	4.91
	0.100	2.46
	0.200	1.23
	0.500	0.49
3 oz/ft <sup>2</sup> (106 μm)	0.025	6.5
	0.050	3.25
	0.100	1.63
	0.200	0.81
	0.500	0.325

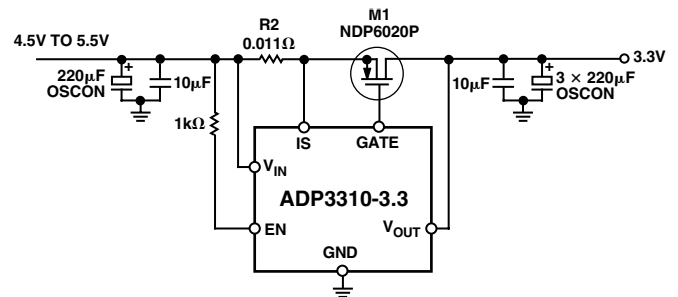


Figure 2. Typical 3 A Low Dropout Regulator Circuit

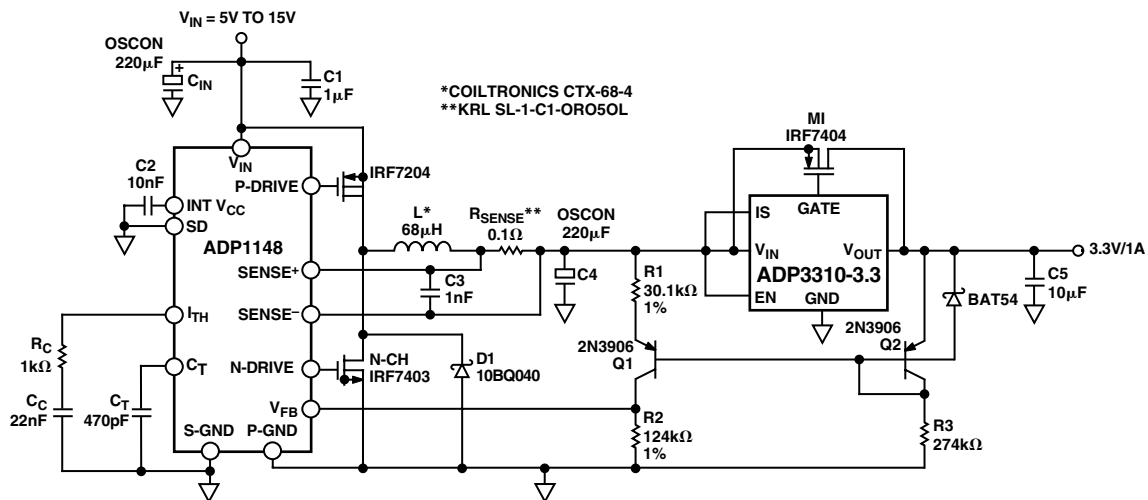


Figure 3. High Current Post Regulator with SOIC PMOS

# ADP3310

## High Current Post Regulator with SOIC PMOS

Post regulation for a switch-mode supply (Figure 3) can be implemented with a PMOS in a SOIC-8 package to provide a significant reduction in peak-to-peak ripple voltage. A constant dropout voltage in conjunction with low quiescent current yield a more efficient voltage regulator that can significantly extend battery life. The bottom waveform of Figure 4 is the output of the switching regulator. The top waveform is the output of the post regulator.

In applications where cost is a higher concern than efficiency, a resistor divider can be used to provide feedback instead of the current mirror. Power efficiency is lower in cases of light loads.

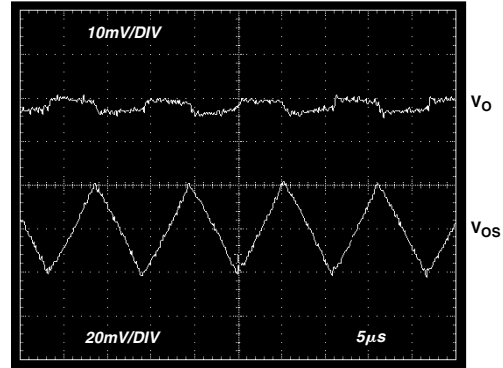
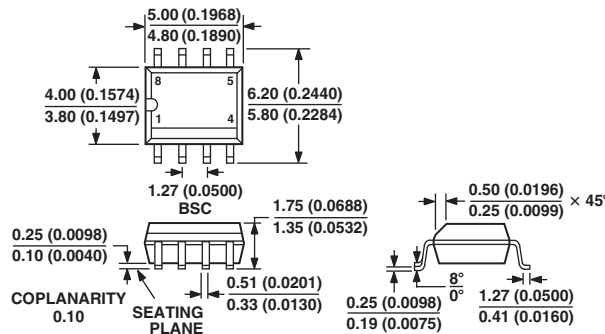


Figure 4. Pre-and Post-Regulated Voltage

## OUTLINE DIMENSIONS

### 8-Lead Standard Small Outline Package [SOIC] Narrow Body (R-8)

Dimensions shown in millimeters and (inches)



COMPLIANT TO JEDEC STANDARDS MS-012AA

CONTROLLING DIMENSIONS ARE IN MILLIMETERS; INCH DIMENSIONS (IN PARENTHESES) ARE ROUNDED-OFF MILLIMETER EQUIVALENTS FOR REFERENCE ONLY AND ARE NOT APPROPRIATE FOR USE IN DESIGN

## Revision History

Location

Page

9/02—Data Sheet changed from REV. A to REV. B.

Changes to ORDERING GUIDE ..... 3