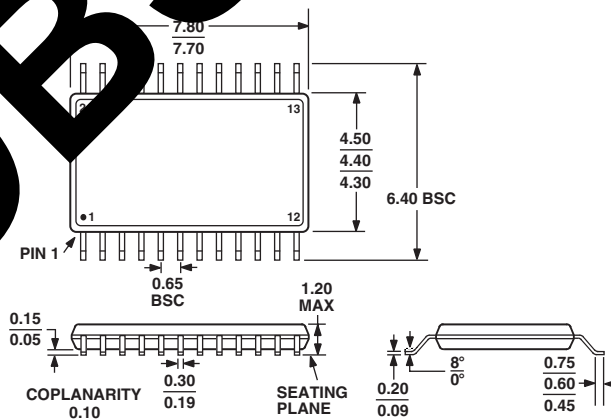


Figure 15. Application Diagram

**OUTLINE DIMENSIONS**  
**24-Lead Thin Shrink Small Outline Package [TSSOP]**  
**(RU-24)**  
 Dimensions shown in millimeters



COMPLIANT TO JEDEC STANDARDS MO-153AD