





































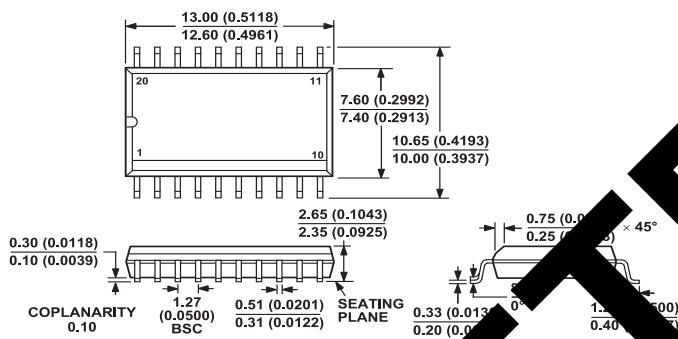




OUTLINE DIMENSIONS

20-Lead Standard Small Outline Package [SOIC\_W]  
Wide Body  
(R-20)

Dimensions shown in millimeters and (inches)



COMPLIANT TO JEDEC STANDARDS MO-13-AC  
CONTROLLING DIMENSIONS ARE IN MILLIMETERS (INCH DIMENSIONS  
(IN PARENTHESES) ARE ROUNDED-OFF MILLIMETER EQUIVALENTS FOR  
REFERENCE ONLY AND ARE NOT APPROPRIATE FOR MECHANICAL DESIGN

OBSOLETE

Revision History

Location

Page

6/05—Data Sheet Change from REV. 0 to REV. A.

Changes to ORDERING GUIDE..... 4

Updated OUTLINE DIMENSIONS..... 19

