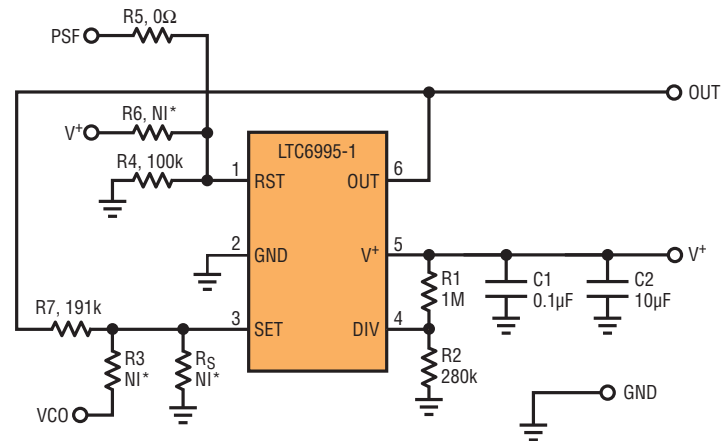
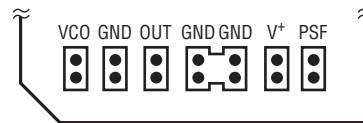


LTC6995-1 Demo Circuit Schematic for the TimerBlox® Sample Kit One Second Power-On Reset



*NI = COMPONENT NOT INSTALLED



STAMP BOARD CONTACTS
(LOOKING AT COMPONENT SIDE)

THIS BOARD CAN BE USED WITH OTHER SOT23 TimerBlox PARTS. SIMPLY REPLACE THE LTC6995 WITH ANOTHER TimerBlox PART AND ADD/REMOVE RESISTORS AS NECESSARY.

For the LTspice® model for this circuit, go to www.linear.com/Timerblox
To order a TimerBlox sample kit, contact your local sales office or distributor.

