

Introduction

The MAX17596 is a peak-current-mode controller for designing wide input-voltage flyback regulators. The device offers input thresholds suitable for low-voltage DC-DC applications (4.5V to 36V) and contains a built-in gate driver for an external n-channel MOSFET. The MAX17596 houses an internal error amplifier with 1% accurate reference, eliminating the need for an external reference. The switching frequency is programmable from 100kHz to 1MHz with an accuracy of 8%, allowing optimization of magnetic and filter components, resulting in compact and cost-effective power conversion. For EMI-sensitive applications, the MAX17596 incorporates a programmable frequency dithering scheme, enabling low-EMI spread-spectrum operation. Users can start the power supply precisely at the desired input voltage, implement input overvoltage protection, and program soft-start time. A programmable slope compensation scheme is provided to ensure stability of the peak current-mode control scheme. Hiccup-mode overcurrent protection and thermal shutdown are provided to minimize dissipation in overcurrent and overtemperature fault conditions.

- Programmable Switching Frequency Allows Optimization of the Magnetic and Filter Components, Resulting in Compact, Cost-Effective, Efficient Isolated/Nonisolated Power Supplies
- 100kHz to 1MHz Programmable Switching Frequency with Optional Synchronization
- Peak Current Mode Control Provides Excellent Transient Response
- Programmable Frequency Dithering Enables Low EMI Spread-Spectrum Operation
- Integrated Protection Features Enhance System Reliability
- Adjustable Current Limit with External Current-Sense Resistor
- Fast Cycle-By-Cycle Peak Current Limiting Hiccup-Mode Short-Circuit Protection
- Overtemperature Protection
- Programmable Soft-Start and Slope Compensation
- Input Overvoltage Protection

Hardware Specification

A DC input DCM flyback converter using the MAX17596 is demonstrated for a 5V DC output application. The power supply delivers up to 0.4A at 5V. Table 1 shows an overview of the design specification.

Table 1. Design Specification

PARAMETER	SYMBOL	MIN	MAX
Input Voltage	V_{IN}	17V	36V
Frequency	f_{SW}	150kHz	
Maximum Efficiency	η	86.25%	
Output Voltage	V_{OUT}	5V	
Output Voltage Ripple	ΔV_{OUT}	1% of V_{OUT} (max)	
Output Current	I_{OUT}	0	0.4A
Output Power	P_{OUT}	2W	

Designed–Built–Tested

This document describes the hardware shown in Figure 1. It provides a detailed systematic technical guide to designing a DC-DC discontinuous conduction mode (DCM) flyback using Maxim's MAX17596 current-mode controller. The power supply has been built and tested, details of which follow later in this document.

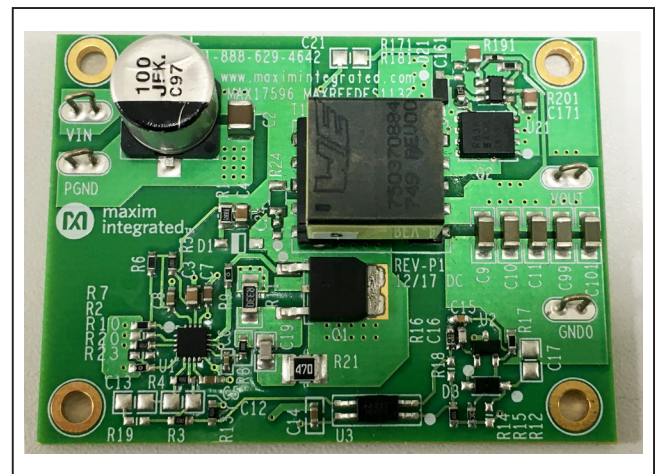


Figure 1. MAXREFDES1132 hardware.

Generic Isolated Power Supply

Figure 2 shows a generic isolated power-supply block diagram. It consists of a power stage, an isolation transformer, rectifier, secondary-side error amplifier, and opto-coupler to provide a feedback for the primary side control. Different isolated power supplies are different depending upon how the transformer is being used in them.

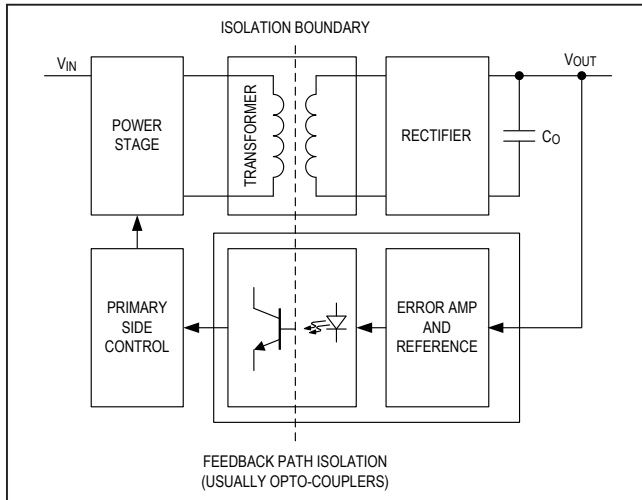


Figure 2. Generic isolated power supply.

Flyback Principle

A transformer in a flyback configuration acts differently than its usual operation of transformation of energy from primary to secondary. During a transformer's usual operation, both primary and secondary windings conduct together at the same time to make the transfer of energy possible from primary to secondary. In a flyback configuration the primary and secondary windings do not conduct at the same time and the transformer acts more like a coupled inductor. Note that in this document we have used the following notations for the transformer turns ratio:

$$K = \frac{N_P}{N_S}$$

$$k = \frac{N_S}{N_P}$$

This means capital K for primary turns/secondary turns and small k for secondary turns/primary turns.

Figure 3 shows a simple flyback topology that consists of a transformer whose primary winding is connected to the drain of a switching MOSFET. The source of the MOSFET is connected to ground. The secondary winding is connected to the output capacitor through a rectifier diode. In this flyback configuration the current flows into the primary winding during the on time of the switching period and flows into the secondary winding during the off time of the switching period.

During the on-time when the primary switch is closed, a current, I_P , flows through the primary winding as shown in Figure 4. I_P can be written as follows:

$$I_P(t) = \frac{1}{L_P} \int_0^t V_{IN} dt = \frac{1}{L_P} V_{IN} t$$

The peak magnitude of the primary current can be written as follows:

$$I_{P-P} = \frac{1}{L_P} \int_0^{t_{ON}} V_{IN} dt = \frac{1}{L_P} V_{IN} t_{ON}$$

In the secondary winding, a negative voltage is induced due to the current flowing in to the primary. The rectifier diode is reverse-biased and no current is flowing in the secondary winding. The induced voltage in the primary can be written as:

$$V_S(t) = L_S \times \frac{dI_P(t)}{dt}$$

During the off-time when the primary switch opens as shown in Figure 5, the magnetic field in the primary winding collapses and the voltage at the winding reverses, while current keeps flowing in the same direction until the field fades away.

The secondary current I_S flows and the secondary and rectifier diode is forward-biased. Output voltage V_{OUT} is now available across the secondary coil if we ignore the forward voltage drop of the rectifier diode. The secondary winding voltage is now flown away to primary side as $K \times V_{OUT}$. This voltage is present across the switch until the current in the secondary winding decays to zero. Total voltage available across the switch during the off-time can be written as:

$$V_{SW} = V_{IN} + K \times V_{OUT}$$

This voltage also causes the breakdown of the magnetic flux in the primary winding (no current is flowing in the primary winding after this reset). Here we can see that unlike a usual transformer action where current flows in both the winding at the same time, in a flyback transformer the current flows into the primary winding during the on-time and into the secondary winding during the off-time. This is why we use the term "coupled storage inductor" for transformers used in flyback operation. It should be noted though that mechanically these transformers are like any transformer. Use in flyback operations makes transformers act differently as coupled inductors. The required duty cycle for a given input voltage and output voltage can be calculated from:

$$D = \frac{V_{OUT}}{V_{OUT} + V_{IN}}$$

where:

$$V_{OUT} = (V_{OUT} + V_F) \times \frac{N_P}{N_S}$$

Figure 6 shows a typical CCM mode flyback primary and secondary winding current, and Figure 7 shows a typical DCM mode flyback waveform.

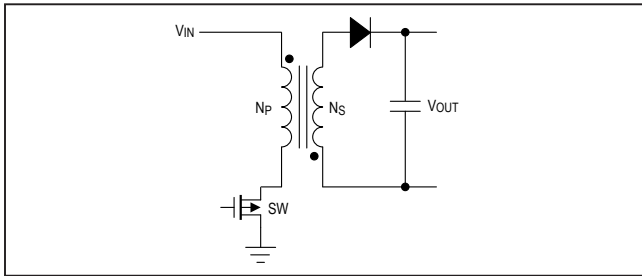


Figure 3. Simple flyback topology.

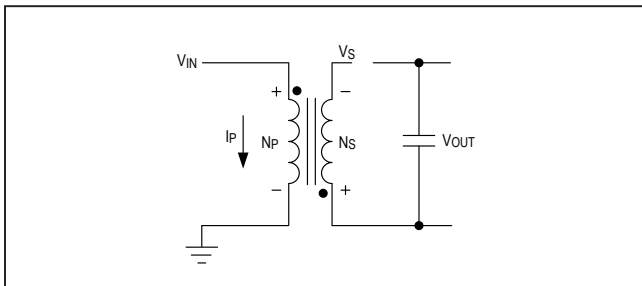


Figure 4. Flyback topology during on-time, t_{ON} .

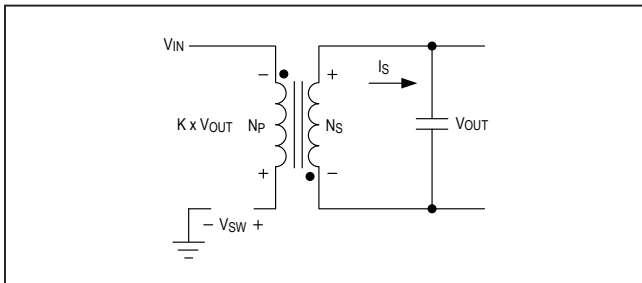


Figure 5. Flyback topology during off-time, t_{OFF} .

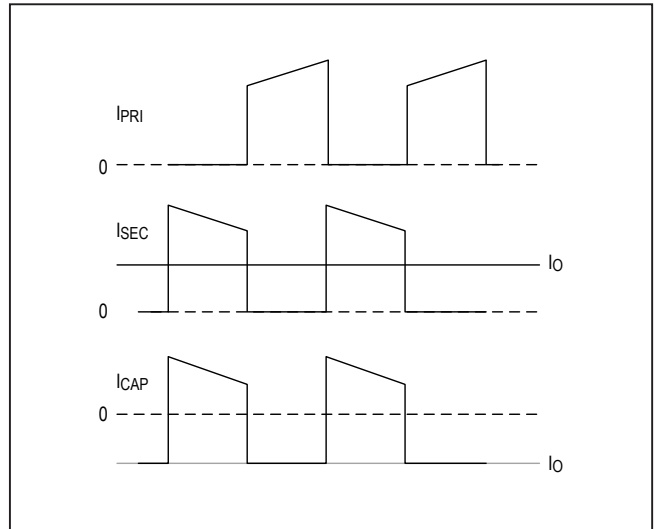


Figure 6. A typical CCM mode flyback primary and secondary winding current.

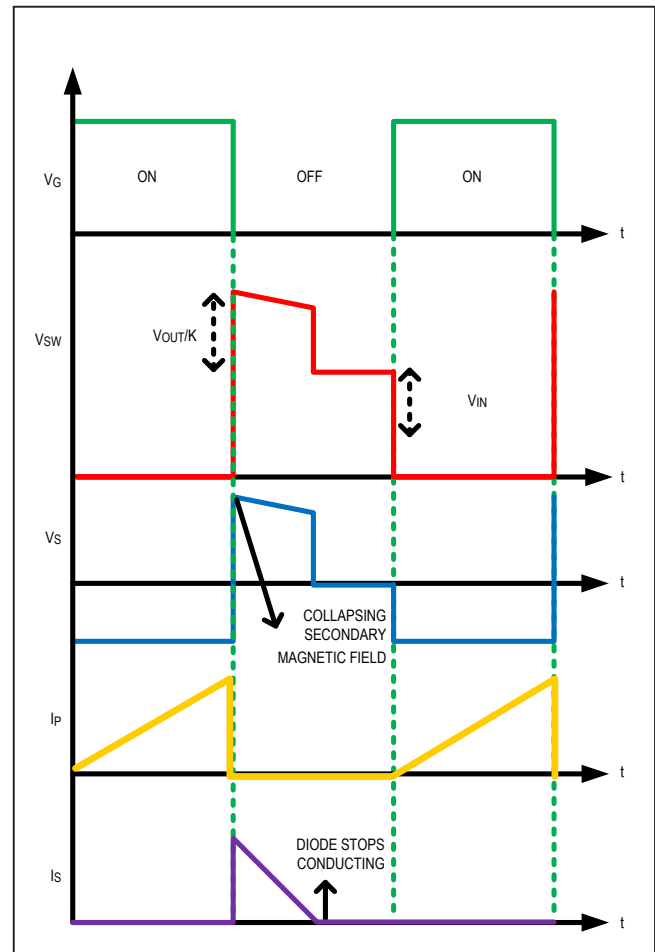


Figure 7. A typical DCM mode flyback topology waveform.

Design Procedure for DC-DC Flyback Using MAX17596

Now that the basic principle of the DCM flyback is understood, a practical design can be illustrated. The design parameters are obtained by using expressions given in Maxim **Application Note 5504**. This document is primarily concerned with the power stage and the feedback loop design, and is intended to complement the information contained in the MAX17596 data sheet.

Flyback converters can be operated in discontinuous conduction mode (DCM) or continuous conduction mode (CCM). The component choices, stress level in power devices, and controller design vary depending on the operating mode of the converter. The design discussed in this document is a DCM design and expressions for calculating component values and ratings are presented to achieve the design goals.

Step 1: Switching Frequency

For this design we selected a 150kHz switching frequency. The MAX17596 switching frequency is programmable between 100kHz and 1000kHz with a resistor R_{RT} connected between RT and SGND. R_{RT} is calculated as follows:

$$R_{RT} = \frac{10^{10}}{f_{SW}} \Omega$$

$$R_{RT} = \frac{10^{10}}{150k} = 66.6k\Omega$$

A standard 66.5k Ω resistor is selected for R_{RT} .

Step 2: Transformer Magnetizing Inductance and Turns Ratio

In a DCM flyback converter, the energy stored in the primary inductance of the flyback transformer is delivered entirely to the output. The maximum primary-inductance value for which the converter remains in DCM at all operating conditions can be calculated as:

$$L_{PRI} \leq \frac{0.4 \times (V_{IN(MIN)} \times D_{MAX})^2}{(V_{OUT} + V_D) \times I_{OUT} \times f_{SW}}$$

where:

$$D_{MAX} = 0.43V$$

$V_D = 0.1V$ since synchronous rectification is being used through the MAX17606 secondary MOSFET driver.

In this application, the DC input voltage varies from 17V DC to 36V DC. Substitute the values in the expression of L_{PRI} as follows:

$$L_{PRI} \leq \frac{0.4 \times (17 \times 0.43)^2}{(5 + 0.1) \times 0.4 \times 150k} = 69.85\mu H$$

For our design L_{PRI} is chosen as 65 μH , $L_{PRI} = 65\mu H$.

The leakage inductance of the transformer should be targeted as low as possible. For this design, we achieved a 1.5% leakage inductance of 0.975 μH , $L_{LKG} = 0.975\mu H$. A customized transformer 750370884 from Würth Elektronik is used in this design. This transformer also fulfills the specification of turns ratio and primary/secondary currents requirement of the design that is calculated step by step in this document. The transformer has dielectric isolation specification of 1500V AC.

Step 3: Maximum Duty-Cycle Calculation with Selected L_{PRI}

Use the following expressions to calculate the maximum duty cycle of the converter for the selected frequency and magnetizing inductance:

$$D_{NEW} = \frac{\sqrt{2.5 \times L_{PRI} \times V_{OUT} \times I_{OUT} \times f_{SW}}}{V_{IN(MIN)}}$$

$$D_{NEW} = \frac{\sqrt{2.5 \times 65\mu \times 5 \times 0.4 \times 150k}}{17} = 0.41$$

Calculate the required transformer turns ratio (k) using the expressions as follows:

$$k = \frac{N_s}{N_p} = \frac{(V_{OUT} + V_D) \times (1 - D_{NEW})}{D_{NEW} \times V_{IN(MIN)}}$$

$$k = \frac{N_s}{N_p} = \frac{(5 + 0.1) \times (1 - 0.41)}{0.41 \times 17} = 0.43$$

For the present design, k is chosen as 1:0.43.

Step 4: Calculation of Peak/RMS Current

Primary and secondary RMS and primary peak currents calculations are needed to design the transformer in switched-mode power supplies. Also, primary peak current is used in setting the current limit. Use the following expressions to calculate the primary and secondary peak and RMS currents:

$$I_{PRIPEAK} = \frac{V_{IN(MIN)} \times D_{NEW}}{L_{PRI} \times f_{SW}} = \frac{17 \times 0.41}{65\mu \times 150kHz} = 0.72A$$

$$I_{PRI RMS} = I_{PRIPEAK} \times \sqrt{\frac{D_{NEW}}{3}} = .72 \times \sqrt{\frac{0.41}{3}} = 0.264$$

$$I_{SECPEAK} = \frac{I_{PRIPEAK}}{k} = \frac{.72}{0.43} = 1.66A$$

$$I_{SECRMS} = \sqrt{\frac{2 \times I_{OUT} \times I_{PRIPEAK}}{3 \times k}} = 0.67A$$

Step 5: Current-Limit Resistor Calculation

For the current-limit setting, the peak current can be calculated as follows:

$$I_{LIM} = 1.2 \times I_{PRIPEAK} = 1.2 \times 0.72 = 0.859A$$

The device includes a robust overcurrent protection scheme that protects the device under overload and short-circuit conditions. A current-sense resistor, connected between the source of the MOSFET and PGND, sets the peak current limit. The current-limit comparator has a voltage trip level ($V_{CS-PEAK}$) of 300mV. Use the following equation to calculate the value of R_{CS} :

$$R_{CS} = \frac{305m}{I_{MOSFET}} = \frac{305m}{0.859} = 355m\Omega$$

where I_{MOSFET} is the peak current flowing through the MOSFET. A typical 330mΩ current-sense resistor is selected, $R_{CS} = 330m\Omega$.

Step 6: MOSFET Selection

MOSFET selection criteria includes maximum drain voltage, peak/RMS current in the primary, and the maximum allowable power dissipation of the package without exceeding the junction temperature limits. The voltage seen by the MOSFET drain is the sum of the input voltage, the reflected secondary voltage on the transformer primary, and the leakage inductance spike. The MOSFET's absolute maximum V_{DS} rating must be higher than the worst-case drain voltage as follows:

$$V_{DS(MAX)} = V_{IN(MAX)} + \left(\frac{2.5 \times (V_{OUT} + V_D)}{k} \right)$$

$$V_{DS(MAX)} = 36 + \left(\frac{2.5 \times (5 + 0.1)}{0.43} \right) = 65.62V$$

For this application we chose the Infineon IRLR3110ZTRPbF 100V, 63A n-channel MOSFET as the primary MOSFET.

Step 7: Snubber Selection

An RCD snubber reduces the maximum voltage stress on the MOSFET by clamping the voltage level. However, it also dissipates power and reduces efficiency. RCD snubbers may not always be required, however, it is always a good idea to leave place holders in the board for RCD and RC snubbers. Ideally, the external MOSFET experiences a drain-source voltage stress equal to the sum of the input voltage and reflected voltage across the primary winding during the off period of the MOSFET. In practice, parasitic inductors and capacitors in the circuit, such as leakage inductance of the flyback transformer, cause voltage overshoot and ringing in addition to the ideally expected voltage stress. Snubber circuits are used to limit the voltage overshoots to safe levels within the voltage rating of the external MOSFET. The snubber capacitor can be calculated using the following expression:

$$C_{SNUB} = \frac{2 \times L_{LK} \times I_{PRIPEAK}^2 \times k^2}{V_{OUT}^2}$$

$$C_{SNUB} = \frac{2 \times 0.975\mu \times 0.72^2 \times 0.43^2}{5^2} = 741pF$$

Considering the derating of the capacitor, we selected a 8200pF capacitor, $C_{SNUB} = 8200pF$.

The power that must be dissipated in the snubber resistor is calculated using the following expressions:

$$P_{\text{SNUB}} = 0.833 \times L_{\text{LKG}} \times I_{\text{PRIPEAK}}^2 \times f_{\text{SW}}$$

$$P_{\text{SNUB}} = 0.833 \times 0.975\mu \times 0.72^2 \times 150\text{k} = 0.062\text{W}$$

The snubber resistor is calculated based on the below expression:

$$R_{\text{SNUB}} = \frac{6.25 \times V_{\text{OUT}}^2}{P_{\text{SNUB}} \times k^2} = \frac{6.25 \times 5^2}{0.062 \times 0.43^2} = 13.5\text{k}\Omega$$

A standard 13.3kΩ, 1W resistor is selected, $R_{\text{SNUB}} = 13.3\text{k}\Omega$.

The voltage rating of the snubber diode is:

$$V_{\text{DSNUB}} = V_{\text{IN(MAX)}} + \left(2.5 \times \frac{V_{\text{OUT}}}{k}\right)$$

$$V_{\text{DSNUB}} = 36 + \left(2.5 \times \frac{5}{0.43}\right) = 65\text{V}$$

We selected the Micro Commercial Components SMD110PL 100V, 1A diode as the snubber diode.

Step 8: Secondary MOSFET Selection

The maximum operating drain-source voltage rating of the secondary MOSFET must be higher than the sum of the output voltage and the reflected input voltage. We use the following expression to calculate the secondary diode voltage rating:

$$V_{\text{SEC}} = 1.25 \times (k \times V_{\text{IN(MAX)}} + V_{\text{OUT}})$$

$$V_{\text{SEC}} = 1.25 \times (0.43 \times 36 + 5) = 25.6\text{V}$$

We selected Vishay's SIR836DP-T1-GE3 40V MOSFET as the secondary side for synchronous rectification using MAX17606.

Step 9: Feedback Resistor (R_U , R_B) Selection

A standard 10kΩ resistor is selected, $R_B = 10\text{k}\Omega$.

$$R_U = \left(\frac{V_{\text{OUT}}}{V_{\text{REF}}} - 1\right) \times R_B$$

where V_{REF} is the reference set by the secondary-side controller ($V_{\text{REF}} = 2.5\text{V}$ for TL431AQDBZRQ1 is used in this design).

$$R_U = \left(\frac{5}{2.5} - 1\right) \times 10\text{k} = 10\text{k}\Omega$$

A standard 10kΩ resistor is selected, $R_U = 10\text{k}\Omega$.

Step 10: Soft-Start Capacitor

The soft-start period for the devices can be programmed by selecting the value of the capacitor C_{SS} connected from the SS pin to SGND. Capacitor C_{SS} can be calculated as:

$$C_{\text{SS}} = 8.264 \times t_{\text{SS}}$$

where t_{SS} is expressed in ms and the resultant value of C_{SS} is in nF.

$$C_{\text{SS}} = 8.264 \times t_{\text{SS}} = 8.264 \times 12 = 99.17\text{nF}$$

A standard 100nF is selected as the soft-start capacitor, $C_{\text{SS}} = 100\text{nF}$.

Step 11: Input Capacitor Selection

For DC-DC applications, X7R ceramic capacitors are recommended due to their stability over the operating temperature range. The effective series resistance (ESR) and effective series inductance (ESL) of a ceramic capacitor are relatively low, so the ripple voltage is dominated by the capacitive component. For the flyback converter, the input capacitor supplies the current when the main switch is on. We used the following equation to calculate the input capacitor for a specified peak-to-peak input switching ripple:

$$C_{\text{IN}} = \frac{D_{\text{NEW}} \times I_{\text{PRIPEAK}} \left[1 - (0.5 \times D_{\text{NEW}})\right]^2}{2 \times f_{\text{SW}} \times V_{\text{IN_RIP}}}$$

Step 12: Output Capacitor Selection

X7R ceramic output capacitors are preferred in industrial applications due to their stability over temperature. The output capacitor is usually sized to support a step load of a certain percentage of the rated output current so that the output voltage deviation is contained to 3% of the rated output voltage. The output capacitance can be calculated by using the below expressions:

$$t_{\text{RESPONSE}} \cong \left(\frac{0.33}{f_{\text{C}}} + \frac{1}{f_{\text{SW}}}\right)$$

$$C_{\text{OUT}} = \frac{I_{\text{STEP}} \times t_{\text{RESPONSE}}}{\Delta V_{\text{OUT}}}$$

where I_{STEP} is the load step, t_{RESPONSE} is the response time of the controller, ΔV_{OUT} is the allowable output voltage deviation, and f_{C} is the target closed-loop crossover frequency. In our application, we selected $f_{\text{C}} = 5\text{kHz}$.

$$I_{\text{STEP}} = 0.5 \times I_{\text{OUT}} = 0.5 \times 0.4 = 0.2\text{A} \text{ (50\% of } I_{\text{OUT}})$$

$$\Delta V_{\text{OUT}} = 0.03 \times 5 = 150\text{mV} \text{ (3\% of } V_{\text{OUT}}, \text{ typ)}$$

$$t_{\text{RESPONSE}} \cong \left(\frac{0.33}{5\text{k}} + \frac{1}{150\text{k}}\right) = 72.6\mu\text{s}$$

$$C_{\text{OUT}} = \frac{I_{\text{STEP}} \times t_{\text{RESPONSE}}}{\Delta V_{\text{OUT}}} = \frac{0.2 \times 76.2\mu}{0.150} = 96.88\mu\text{F}$$

Due to the DC-bias characteristics, 5 x 47µF 10V MLCC capacitors are selected for this design.

Capacitor values change with temperature and applied voltage. Refer to the capacitor data sheets to select capacitors that guarantee the required output capacitance across the operating range. For design calculations, use the worst-case derated value of capacitance, based on temperature range and applied voltage. In our case the worst-case derated value of capacitors is 92.5µF.

For the flyback converter, the output capacitor supplies the load current when the main switch is on, and therefore the output voltage ripple is a function of load current and duty cycle. Use the following expression to estimate the output capacitor ripple:

$$\Delta V_{COUT} = \frac{I_{OUT} \times [I_{PRIPEAK} - (K \times I_{OUT})]^2}{I_{PRIPEAK}^2 \times f_{SW} \times C_{OUT}}$$

$$\Delta V_{COUT} = \frac{0.4 \times [0.72 - (0.43 \times 0.4)]^2}{0.72^2 \times 150\text{kHz} \times 92.5\mu} = 16.63\text{mV}$$

Step 13: Loop Compensation

Optocoupler feedback is used in isolated flyback converter designs for precise control of isolated output voltage. Figure 8 shows the overall scheme of the optocoupler feedback.

Use $R_{FB} = 470\Omega$ (typ), for an optocoupler transistor current of 1mA. Select $R1 = 49.9\text{k}\Omega$ and $R2 = 22\text{k}\Omega$ (typical values) to use the full range of available COMP voltage. U3 is a low-voltage adjustable shunt regulator with a 2.5V reference voltage. In this design we selected a Texas Instruments TL431AQDBZRQ1 2.5V shunt regulator.

Calculate R_{LED} using the below expression:

$$R_{LED} = 400 \times CTR \times (V_{OUT} - 2.7)$$

$$R_{LED} = 400 \times 1 \times (5 - 2.7) = 0.920\text{k}\Omega$$

A standard 0.931kΩ resistor is selected, $R_{LED} = 0.931\text{k}\Omega$.

The bandwidth of typical optocouplers limits the achievable closed-loop bandwidth of opto-isolated converters. Considering this limitation, the closed-loop crossover frequency can be chosen at the nominal input voltage by selecting $f_C = 5\text{kHz}$. Closed-loop compensation values are designed based on the open-loop gain at the desired crossover frequency, f_C . The open-loop at f_C is calculated using the following expressions.

$$f_P = \frac{I_{OUT}}{\pi \times V_{OUT} \times C_{OUT}} = \frac{0.4}{\pi \times 5 \times 92.5\mu} = 275.3\text{Hz}$$

$$G_{PLANT} = \frac{f_P}{f_C} \times \sqrt{\frac{L_{PRI} \times f_{SW} \times V_{OUT}}{8 \times I_{OUT}}} \times \frac{V_{IN}}{V_{IN} \times R_{CS} + 50 \times 10^3 \times L_{PRI}}$$

$$G_{PLANT} = \frac{275.3}{5\text{kHz}} \times \sqrt{\frac{65\mu \times 150\text{k} \times 5}{8 \times 0.4}} \times \frac{36}{36 \times 330\text{m} + 50 \times 10^3 \times 65\mu}$$

$$G_{PLANT} = 0.05 \times 3.9 \times 2.38 = 0.511$$

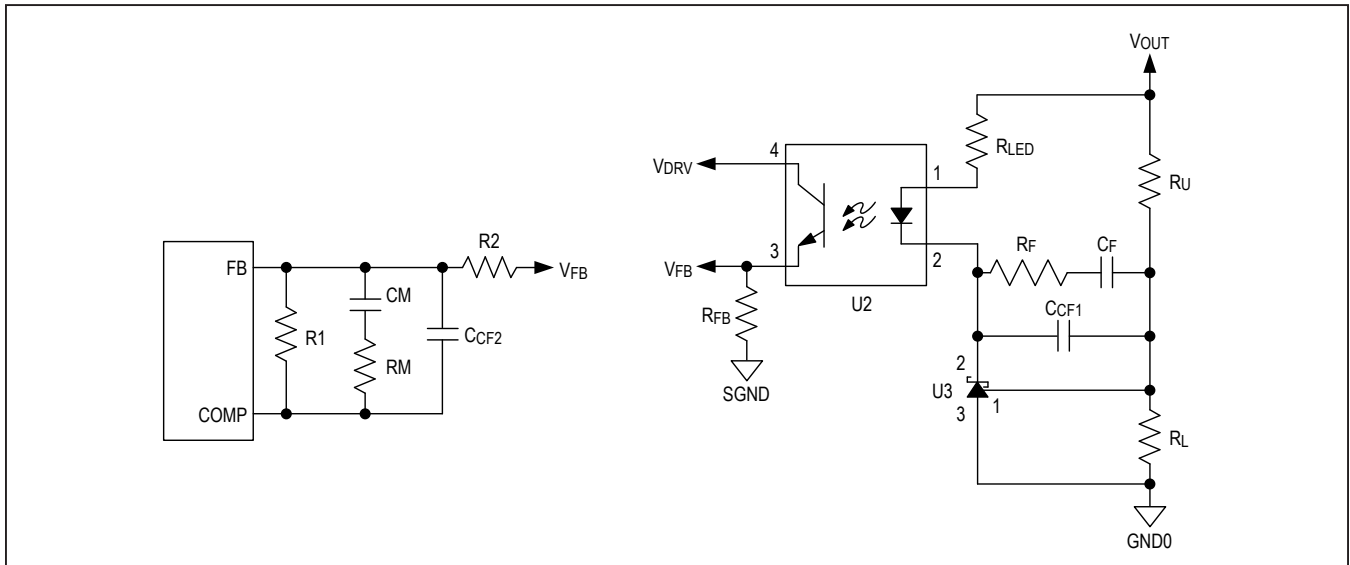


Figure 8. A typical opto-coupler-based feedback compensation.

Three controller configurations are suggested in **Application Note 5504** based on open-loop gain and the R_{LED} value. For typical designs, the current transfer ratio (CTR) of the optocoupler designs can be assumed to be unity. It is known that the comparator and gate-driver delays associated with the input voltage variations affect the optocoupler CTR. Depending on the optocoupler selected, variations in CTR causes wide variations in bandwidth of the closed-loop system across the input-voltage operating range. It is recommended to select an optocoupler with less CTR variations across the operating range. Checking the condition as stated in **Application Note 5504**:

$$G_{PLANT} \times CTR \times \frac{R_{FB}}{R_{LED}} \times \frac{R_1}{R_2} =$$

$$0.511 \times 1 \times \frac{470}{0.931k} \times \frac{49.9k}{22k} = 0.598$$

As stated in **Application Note 5504**, as $0.598 < 0.8$, configuration 1 is selected. **Figure 9** shows a typical schematic of configuration 1. The R_F value can be calculated from the expression below:

$$R_F = \left[\frac{R_{LED} \times R_2}{G_{PLANT} \times CTR \times R_{FB} \times R_1} - 1 \right] \times R_U$$

$$R_F = \left[\frac{0.931k \times 22k}{0.511 \times 1 \times 470 \times 49.9k} - 1 \right] \times 10k = 6.8k\Omega$$

A typical 6.8k value is selected as R_F , $R_F = 6.8k\Omega$.

The C_F value can be calculated as follows:

$$C_F = \frac{1}{2\pi \times (R_U + R_F) \times f_P} =$$

$$\frac{1}{2\pi \times (10k + 6.8k) \times 275.3} = 34.4nF$$

A standard 33nF capacitor is selected, $C_F = 33nF$.

The C_{CF1} value can be calculated as follows:

$$C_{CF1} = \frac{1}{\pi \times R_F \times f_{SW}}$$

$$= \frac{1}{\pi \times 6.8k\Omega \times 150kHz} = 312pF$$

A standard 330pF capacitor is selected, $C_{CF1} = 330pF$.

Step 14: EN/UVLO and OVI Setting

The device's EN/UVLO pin serves as an enable/disable input, as well as an accurate programmable input UVLO pin. The device does not commence startup operation unless the EN/UVLO pin voltage exceeds 1.21V. The device turns off if the EN/UVLO pin voltage falls below 1.15V. A resistor-divider from the input DC bus to ground can be used to divide down and apply a fraction of the input DC voltage (V_{DC}) to the EN/UVLO pin. The values of the resistor-divider can be selected so the EN/UVLO pin voltage exceeds the 1.23V turn-on threshold at the desired input DC bus voltage. The same resistor-divider can be modified with an additional resistor (R_{OVI}) to implement input overvoltage protection in addition to the EN/UVLO functionality as shown in **Figure 10**.

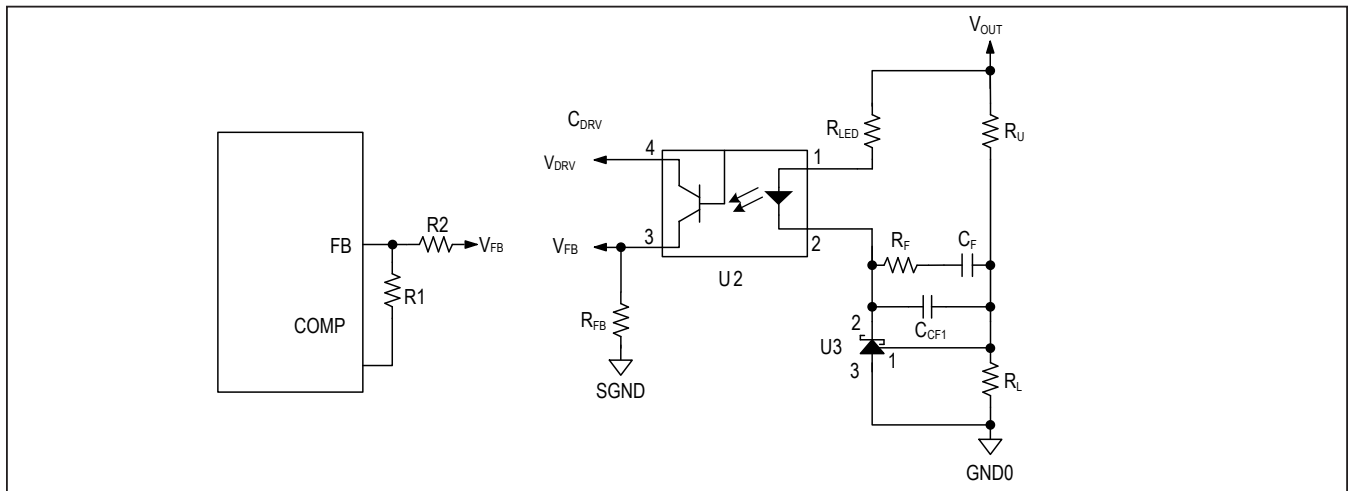


Figure 9. Opto-coupler feedback compensation configuration 1 schematic.

When voltage at the OVI pin exceeds 1.21V, the device stops switching and resumes switching operations only if voltage at the OVI pin falls below 1.15V. For given values of startup DC input voltage (V_{START}) and input overvoltage-protection voltage (V_{OVI}), the resistor values for the divider can be calculated as follows:

Select $R_{OVI} = 10k\Omega$.

$$R_{EN} = R_{OVI} \times \left(\frac{V_{OVI}}{V_{START}} - 1 \right)$$

where $V_{OVI} = \text{maximum allowed overvoltage} = 37V$.

$$R_{EN} = 10k \times \left(\frac{37}{17} - 1 \right) = 11.7k\Omega$$

A standard 11.8k Ω resistor is selected, $R_{EN} = 11.8k\Omega$.

The same resistor-divider can be modified to implement input overvoltage protection. When the voltage at the OVI pin exceeds 1.215V (typ), the device stops switching. The device resumes switching operations only if the voltage at the OVI pin falls below 1.1V (typ).

$$R_{EN_TOP} = [R_{OVI} + R_{EN}] \times \left[\frac{V_{START}}{1.21} - 1 \right]$$

$$R_{EN_TOP} = [24.9k + 11.8k] \times \left[\frac{17}{1.21} - 1 \right] = 284k\Omega$$

A standard 280k Ω resistor is selected for R_{EN_TOP} .

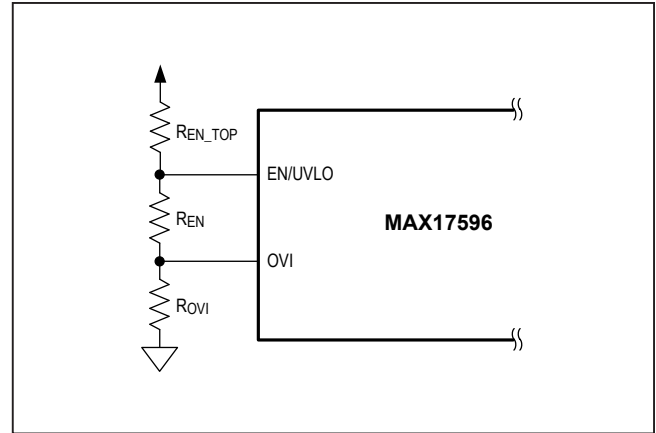


Figure 10. Programming EN/UVLO and OVI.

Design Resources

Download the complete set of [Design Resources](#) including the schematics, bill of materials, PCB layout, and test files.

Revision History

REVISION NUMBER	REVISION DATE	DESCRIPTION	PAGES CHANGED
0	6/18	Initial release	—

Maxim Integrated
www.maximintegrated.com

Maxim Integrated cannot assume responsibility for use of any circuitry other than circuitry entirely embodied in a Maxim Integrated product. No circuit patent licenses are implied. Maxim Integrated reserves the right to change the circuitry and specifications without notice at any time. The parametric values (min and max limits) shown in the Electrical Characteristics table are guaranteed. Other parametric values quoted in this data sheet are provided for guidance.

© 2018 Maxim Integrated Products, Inc. All rights reserved. Maxim Integrated and the Maxim Integrated logo are trademarks of Maxim Integrated Products, Inc., in the United States and other jurisdictions throughout the world. All other marks are the property of their respective owners.