

**Circuits  
from the Lab®**  
Reference Designs

*Circuits from the Lab® reference designs are engineered and tested for quick and easy system integration to help solve today's analog, mixed-signal, and RF design challenges. For more information and/or support, visit [www.analog.com/CN0507](http://www.analog.com/CN0507)*

**Devices Connected/Referenced**

<a href="#">ADF4355-3</a>	Microwave Wideband Synthesizer with Integrated VCO
<a href="#">ADL5380</a>	400 MHz to 6 GHz Quadrature Demodulator
<a href="#">HMC1044</a>	Programmable Harmonic Low-Pass Filter, 1 GHz to 3 GHz, 3 dB Bandwidth
<a href="#">HMC8038</a>	High Isolation, Silicon SPDT, Nonreflective Switch, 0.1 GHz to 6.0 GHz
<a href="#">HMC788A</a>	pHEMT Gain Block MMIC Amplifier, DC 10 GHz
<a href="#">ADG739</a>	CMOS, Low Voltage, 3-Wire, Serially Controlled, Dual-SP4T Switch
<a href="#">AD8426</a>	Wide Supply Range, Dual, Rail-to-Rail, Output Instrumentation Amplifier
<a href="#">ADR127</a>	Precision, Micropower LDO Voltage References in TSOT
<a href="#">ADM7150</a>	800 mA Ultralow Noise, High PSRR, RF Linear Regulator
<a href="#">ADM7172</a>	6.5 V, 2 A, Ultralow Noise, High PSRR, Fast Transient Response CMOS LDO

## A Complete Two-Port Vector Network Analyzer

### EVALUATION AND DESIGN SUPPORT

#### Circuit Evaluation Boards

- [2-Port Network Analyzer Board \(EVAL-CN0507-ARDZ\)](#)
- [Ultra low power ARM® Cortex-M3® Arduino Form Factor Development Platform \(EVAL-ADICUP3029\)](#)

#### Design and Integration Files

- [Schematics, Layout Files, Bill of Materials, Software](#)

### CIRCUIT FUNCTION AND BENEFITS

Vector network analysis is a technique to measure the phase shift and attenuation of signals as they propagate through a medium or are reflected by the medium. This technique is most commonly used to measure the gain, reflection coefficient, and reverse isolation of electronic circuits, such as RF amplifiers and filters, but can also be expanded to analyze characteristics of a material, such as its moisture content.

The reference design shown in Figure 1 implements a complete two-port radio frequency (RF) vector network analyzer using a

zero intermediate frequency (ZIF) architecture. The frequency range of the circuit is from 1.7 GHz to 3.4 GHz, and the dynamic range is approximately 40 dB.

Directional couplers and in-phase-quadrature (IQ) demodulators sense the forward and reverse phase and amplitude. Because of the zero IF architecture, the IQ demodulator outputs are at dc and can be sampled directly by a precision analog-to-digital converter (ADC) integrated into a microcontroller.

A major advantage of the reference design is the use of the ZIF architecture, where use of a lower speed ADC reduces cost and avoids the design complexity associated with high speed sampling converters. This architecture enables the CN-0507 board to be compatible with low cost Arduino form factor boards and provides users with an alternative to bulky, expensive benchtop lab equipment that can cost thousands of dollars. The compact size of the reference design makes it ideal for a wide range of test and measurement applications.

#### Rev. 0

Circuits from the Lab™ circuits from Analog Devices have been designed and built by Analog Devices engineers. Standard engineering practices have been employed in the design and construction of each circuit, and their function and performance have been tested and verified in a lab environment at room temperature. However, you are solely responsible for testing the circuit and determining its suitability and applicability for your use and application. Accordingly, in no event shall Analog Devices be liable for direct, indirect, special, incidental, consequential or punitive damages due to any cause whatsoever connected to the use of any Circuits from the Lab circuits. (Continued on last page)

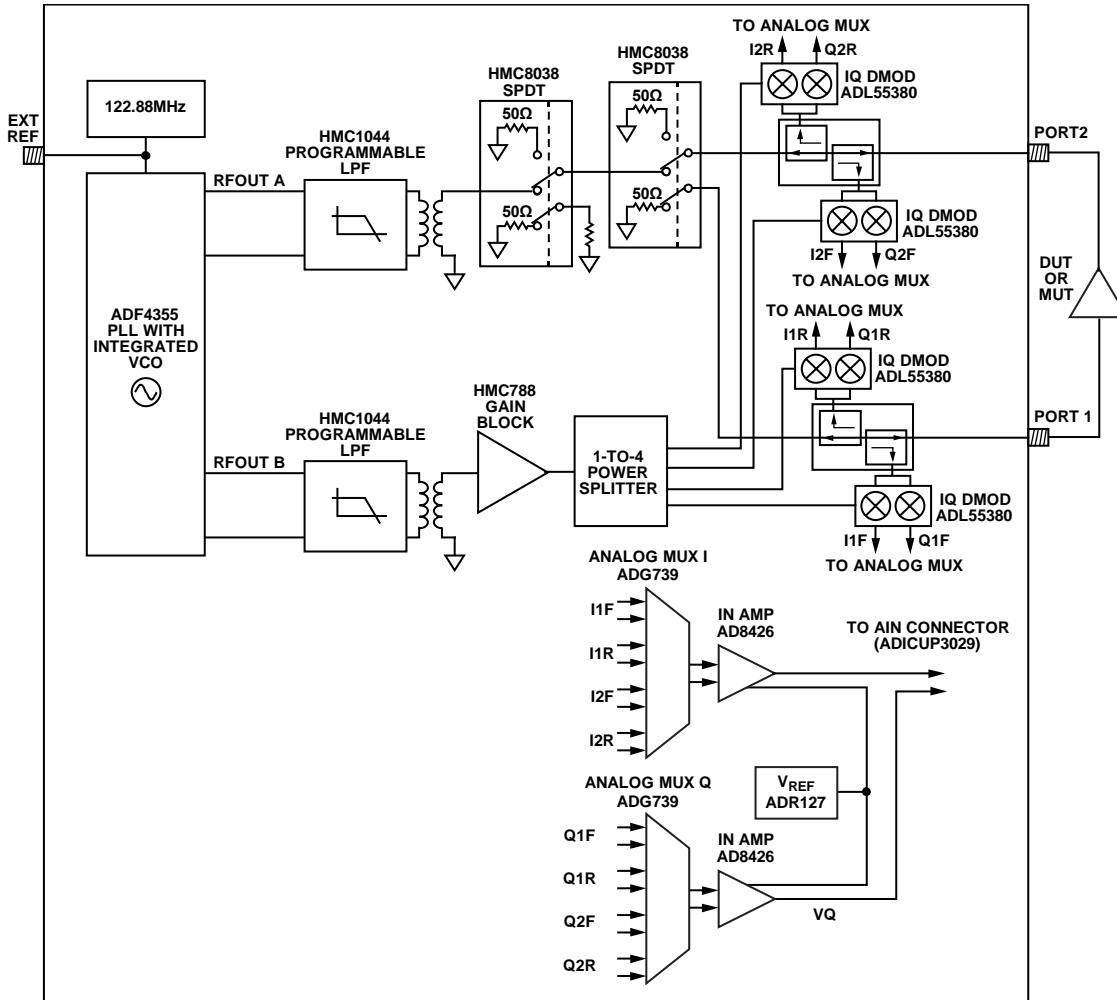


Figure 1. Simplified block Diagram of EVAL-CN0507-ARDZ

**CIRCUIT DESCRIPTION**

**Analysis of a Linear Network**

At RF, analysis of a linear network is executed using power waves, which can be related to the traveling voltage and current wave phasors. The scattering, or S-parameters, are the most common quantities to describe the electrical behavior of the network at high frequencies. The term, scattering, refers to the way the electromagnetic (EM) wave is affected as the wave passes a discontinuity.

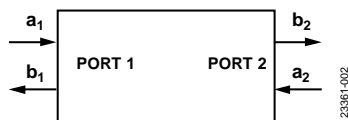


Figure 2. S-Parameters

Figure 2 shows a two-port network with four traveling voltage wave phasors that are defined as follows:

- $a_1$  is the incident wave at Port 1
- $b_1$  is the reflected wave at Port 1
- $a_2$  is the incident wave at Port 2
- $b_2$  is the reflected wave at Port 2
- The four S-parameters of the network are defined as

- $S_{11} = \frac{b_1}{a_1}$ , the forward reflection
- $S_{21} = \frac{b_2}{a_1}$ , the forward gain
- $S_{12} = \frac{b_1}{a_2}$ , the reverse isolation
- $S_{22} = \frac{b_2}{a_2}$ , the reverse reflection

A vector network analyzer measures the voltage wave phasors and computes the S-parameters

**Traditional Network Analyzer Architecture**

Figure 3 shows the architecture of a traditional network analyzer, configured to measure dual-port S-parameters. Phase-Locked Loop 1 (PLL1) drives a sine wave into one of the two ports of the network, while the other port is internally terminated to 50  $\Omega$ . The device under test (DUT) or material under test (MUT) is generally connected between the RF ports (a MUT sample is placed between two antennae connected to the two ports).

While PLL1 conducts a stepped frequency sweep, portions of the incident, transmitted and reflected signals, are coupled off by four in-line directional couplers. These directional couplers drive four mixers that down convert the signals to a low intermediate frequency (IF). The local oscillator (LO) inputs of the four mixers are driven by a second PLL (PLL2).

For the intermediate frequency to remain constant, PLL1 and PLL2 need to track each other with a small offset frequency equal to the IF. This offset is usually a few hundred kHz.

The circuit is completed by four IF sampling ADCs. The ADC outputs are digitally downconverted to baseband to yield amplitude and phase vectors. The S-parameters of the DUT or MUT are the ratios of these vectors.

With the absorptive single-pole double-throw (SPDT) switch in the position shown in Figure 3, PLL1 drives Port 1 and Port 1 is terminated to 50  $\Omega$ . With the amplifier under test connected as shown (input connected to Port 1), the sweep yields data that is used to calculate  $S_{11}$  (input reflection) and  $S_{21}$  (gain). By flipping the SPDT to its other position, PLL1 drives Port 2, yielding the data required to calculate  $S_{22}$  (output reflection) and  $S_{12}$  (reverse isolation).

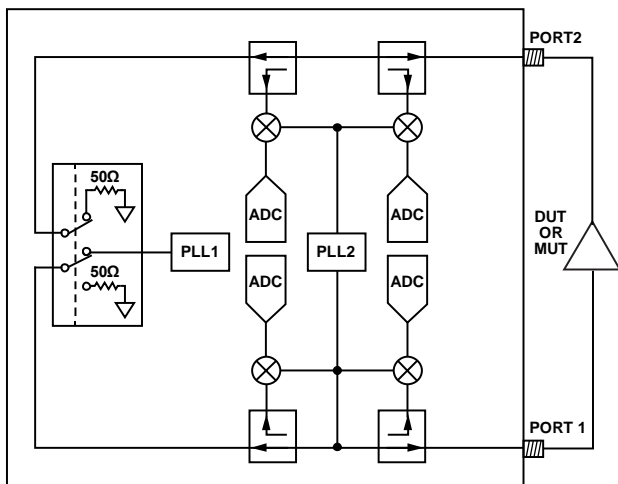


Figure 3. Core Elements of a Network Analyzer

### Zero IF Architecture

An alternative approach is shown in Figure 4 in which the mixers are replaced with IQ demodulators and a single PLL is used to drive the DUT and the LO inputs of the IQ demodulators. This result yields baseband IQ vectors directly at the outputs of the IQ demodulators. Because the IQ demodulator outputs are at dc (while the PLL is at a particular frequency), the outputs be

sampled by baseband ADCs (such as successive approximation (SAR) and low speed sigma delta ( $\Sigma$ - $\Delta$  architectures) rather than with IF sampling ADCs.

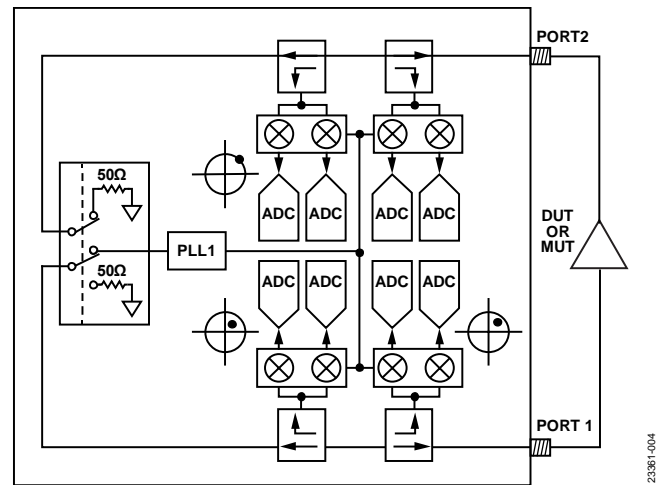


Figure 4. A Zero IF based Network Analyzer

The [ADF4355-3](#) PLL offers high output power, a wide frequency range, and dual outputs. In addition to providing the drive signal to the active port, the [ADF4355-3](#) also provides LO drive for the four IQ demodulators.

The main signal path (starting at RFOUTA), as shown in Figure 5, consists of a programmable low-pass filter ([HMC1044](#)), a balun, two [HMC8038](#) absorptive SPDT switches, and a bidirectional directional coupler.

The [HMC1044](#) filters the harmonics of the output signal of the PLL. The corner frequency of the [HMC1044](#) must therefore be adjusted during the frequency sweep of the PLL. The first SPDT switch provides signal isolation during the dc offset calibration routine and the second SPDT switches the signal to either Port 1 or Port 2.

The bidirectional couplers have a coupling factor of approximately 15 dB and provide coupled forward and reverse signals to the four [ADL5380](#) wideband IQ demodulators. The dc outputs of the four IQ demodulators are multiplexed down to a single pair of IQ signals by two [ADG739](#) CMOS switches. Finally, these differential signals are applied to two [AD8426](#) instrumentation amplifiers that convert the differential signals to single-ended signals with a dc offset of 1.25 V set by the [ADR127](#) voltage reference. At this point, these two signals are routed to the standard analog input Arduino connector to be sampled by the integrated 12-bit ADC on the [ADuCM3029](#).

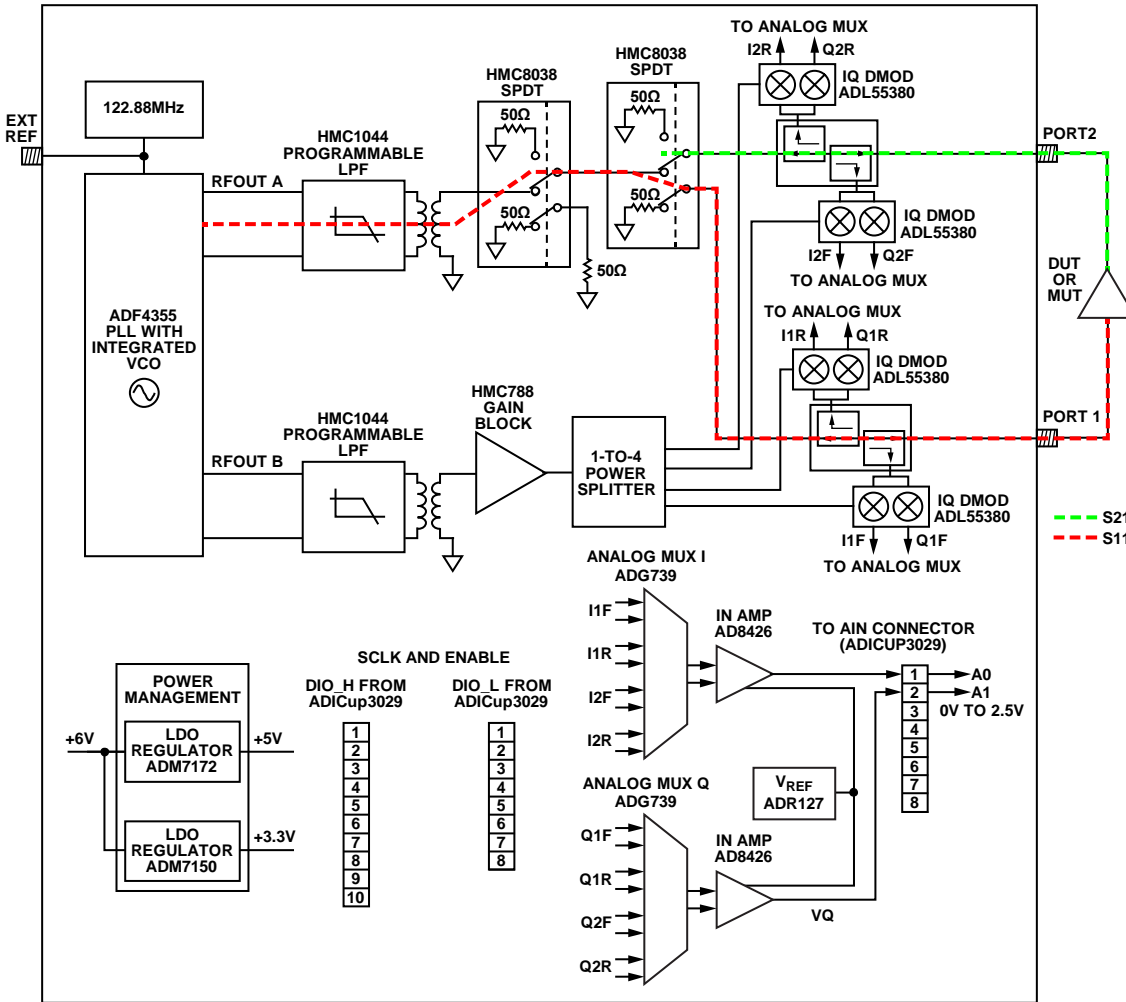


Figure 5. Block Diagram with Signal Flow for Measurement of S11 and S21

The LO drive path (RFOUTB) also includes the [HMC1044](#) programmable low-pass filter to reduce LO harmonics. This filter is followed by a balun, an [HMC788A](#) broadband gain block, and a passive 1-to-4 power splitter (built discretely on the board using resistors).

The availability of two synchronized but independent PLL outputs has multiple benefits. While the output power of the LO driving output (RFOUTB) is held steady, the output power level from RFOUTA (which drives the DUT or MUT) can be varied

over a range of approximately 10 dB. This feature can be used to maximize dynamic range based on the application. For example, when measuring a passive device or material, the power level on RFOUTA can be set to its maximum. In contrast, when measuring an active device with gain, such as an RF amplifier, the PLL source power can be backed off so as not to overdrive the IQ demodulators.

***IQ Demodulator DC Offset Compensation***

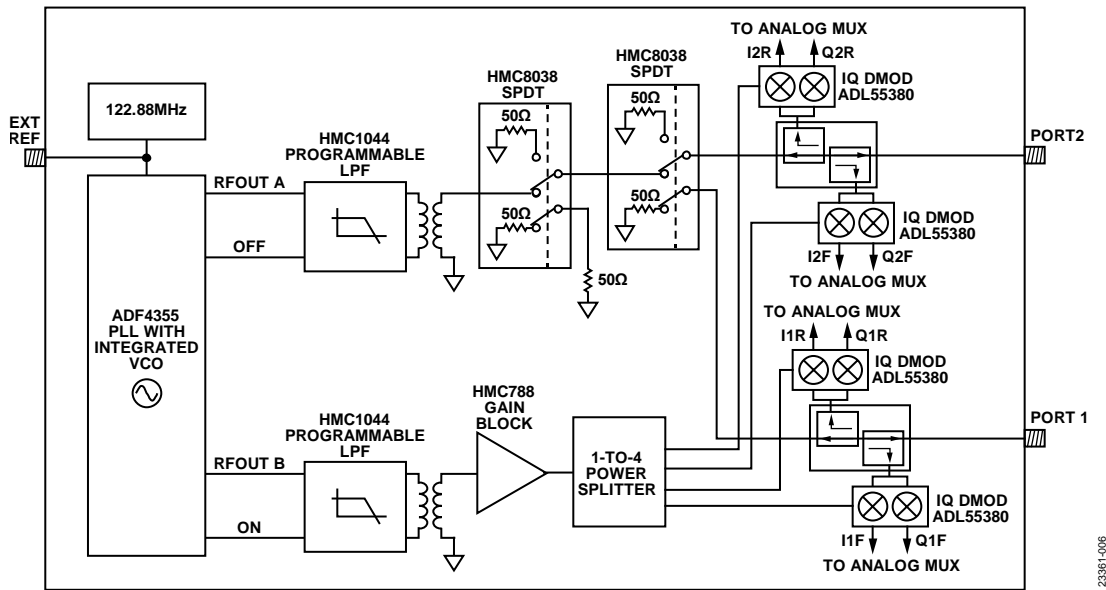


Figure 6. Circuit Switching During DC Offset Compensation

To maximize dynamic range, the dc offset voltages at the outputs of the IQ demodulators must be measured and calibrated out.

The independent PLL outputs are used to full advantage during a dc offset nulling routine. Figure 6 shows the circuit and switch configuration during the dc offset nulling routine.

When the LO drive to the four IQ demodulators is turned on, the main signal path drive signal (RFOUTA) is turned off. To improve isolation, the first HMC8038 RF switch (the one which directly follows the HMC1044 low-pass filter) is configured so that its input is connected to the external 50 Ω resistor. The setting on the second HMC8038 RF switch depends on the port from which dc offset voltages are being measured.

When measuring the dc offset voltages of the IQ demodulators on Port 1, the second HMC8038 RF switch is configured so that its input is directed to Port 2. See Figure 7 for the proper configuration of the RF switches.

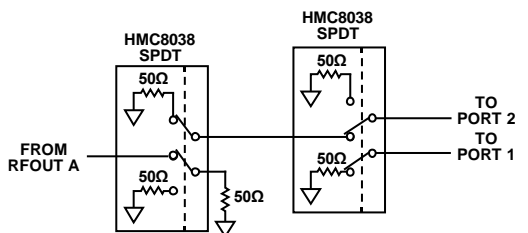


Figure 7. RF Switch Configuration when Measuring the DC Offset at Port 1

In this example,  $V_{IF,OFFSET}(f)$  and  $V_{IR,OFFSET}(f)$  are the measured forward and reverse voltages at Frequency  $f$ , respectively.

When measuring the dc offset voltages for Port 2, the second RF switch is toggled so that its input is now directed to Port 1. See Figure 8 for the proper configuration of the RF switches. Thus,  $V_{2F,OFFSET}(f)$  and  $V_{2R,OFFSET}(f)$  are the measured forward and reverse voltages at Frequency  $f$ , respectively.

Note that the voltage measurements are complex. DC offset calibration for a single demodulator can be expressed as

$$\begin{aligned} V_{xy}(f) - V_{xy,OFFSET}(f) &= [V_{xy}^I + jV_{xy}^Q] - [V_{xy,OFFSET}^I + jV_{xy,OFFSET}^Q] \\ &= [V_{xy}^I - V_{xy,OFFSET}^I] + j[V_{xy}^Q - V_{xy,OFFSET}^Q] \end{aligned}$$

where:

$x$  is either Port 1 or Port 2.

$y$  is either the forward or reverse voltage.

$I$  and  $Q$  superscripts denote in-phase quadrature components.

Therefore, during dc offset calibration, eight offset voltages (an  $I$  and a  $Q$  offset voltage for each of the four IQ demodulators) are measured and stored. During all subsequent measurements, these voltages are subtracted before any data processing begins.

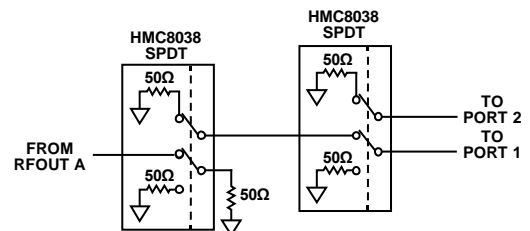


Figure 8. RF Switch Configuration when Measuring the DC Offset at Port 2

**SHORT, OPEN, LOAD, AND THROUGH (SLOT) CALIBRATION**

Calibration is performed to improve the measurement accuracy of the vector network analyzer (VNA). In addition to correcting for impedance mismatch errors and signal leakage errors in the signal chain, calibration is also used to move the measurement reference plane to the desired location, thereby adjusting for phase shifts and insertion losses of cables and fixtures.

System calibration employs an error model that corrects the raw measured voltages. The error model includes a series of complex error coefficients that are calculated from measurements performed by applying known calibration standards (short, open, load, and through).

**The 12-Term Error Model**

The error model used in this example consists of 12 error coefficients or terms. This error model has separate forward and reverse signal flow graph models. In the succeeding discussion,  $s_{11}$ ,  $s_{12}$ ,  $s_{21}$ , and  $s_{22}$  are the calibrated S-parameters of the DUT, whereas  $s_{11,M}$ ,  $s_{12,M}$ ,  $s_{21,M}$ , and  $s_{22,M}$  are the measured raw S-parameters. The two sets of S-parameters are related to one another using equations that contain the error terms calculated during calibration.

Figure 9 provides the forward flow graph error model and its six forward error coefficients:

- Directivity,  $e_{00}$
- Port 1 match,  $e_{11}$
- Reflection tracking,  $e_{10}e_{01}$
- Transmission tracking,  $e_{10}e_{32}$
- Port 2 match,  $e_{22}$
- Leakage,  $e_{30}$

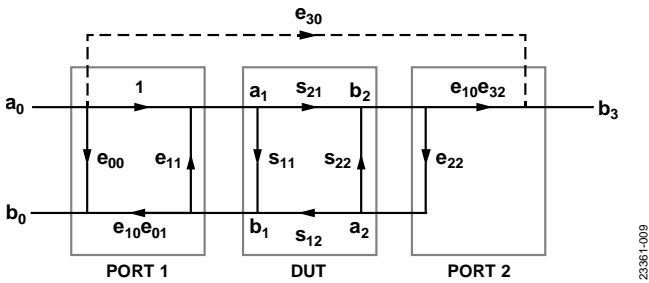


Figure 9. Forward Flow Graph Error Model

To simplify the analysis of the graph model, scattering transfer parameters or T-parameter matrices are used. The T-parameter matrix can be defined and obtained from the S-parameters as

$$T_{DUT} = \frac{1}{s_{21}} \begin{bmatrix} -\Delta & s_{11} \\ -s_{22} & 1 \end{bmatrix} \tag{1}$$

where  $\Delta_s = s_{11}s_{22} - s_{21}s_{12}$ .

Note that the Equation 1 definition already expresses the T-parameter matrix of the DUT.

When  $T_1$  is the T-parameter matrix for Port 1, the combined Port 1 and DUT flow graph is simply expressed as the matrix product, as follows:

$$\begin{bmatrix} b_0 \\ a_0 \end{bmatrix} = T_1 T_{DUT} \begin{bmatrix} a_2 \\ b_2 \end{bmatrix}$$

The T-parameter matrix for Port 1 can be obtained as

$$T_1 = \begin{bmatrix} (e_{10}e_{01} - e_{00}e_{11}) & e_{00} \\ -e_{11} & 1 \end{bmatrix}$$

Because  $b_2 = e_{22}a_2$ , the combined Port 1 and DUT system can now be simplified as

$$\begin{bmatrix} b_0 \\ a_0 \end{bmatrix} = T_1 T_{DUT} \begin{bmatrix} e_{22} \\ 1 \end{bmatrix} b_2 \tag{2}$$

Expressions for  $b_0$  and  $a_0$  can easily be obtained from Equation 2. The measured reflection coefficient,  $s_{11,M}$ , can then be expressed as

$$s_{11,M} = \frac{b_0}{a_0} = e_{00} + (e_{10}e_{01}) \frac{s_{11} - e_{22}\Delta_s}{1 - e_{11}s_{11} - e_{22}s_{22} + e_{11}e_{22}\Delta_s}$$

At Port 2,

$$b_3 = e_{30}a_0 + e_{10}e_{32}b_2$$

Diving by  $a_0$  yields the measured transmission coefficient  $s_{21,M}$ .

$$\begin{aligned} s_{21,M} &= \frac{b_3}{a_0} \\ &= e_{30} + (e_{10}e_{32}) \frac{b_2}{a_0} \\ &= e_{30} + (e_{10}e_{32}) \frac{s_{21}}{1 - e_{11} - e_{22}s_{22} + e_{11}e_{22}\Delta_s} \end{aligned}$$

Figure 10 shows the reverse flow graph error model and its six reverse error coefficients:

- directivity  $e'_{33}$
- port 1 match  $e'_{11}$
- reflection tracking  $e'_{23}e'_{32}$
- transmission tracking  $e'_{23}e'_{01}$
- port 2 match  $e'_{22}$
- leakage  $e'_{03}$

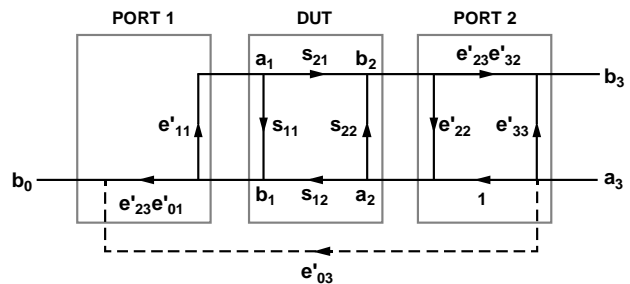


Figure 10. Reverse Flow Graph Error Model

Taking advantage of the symmetry between the forward and reverse flow graph,  $s_{22,M}$  and  $s_{12,M}$  can be expressed as

$$s_{22,M} = \frac{b_3}{a_3} = e'_{33} + (e'_{23}e'_{32}) \frac{s_{22} - e'_{11}\Delta_s}{1 - e'_{11}s_{11} - e'_{22}s_{22} + e'_{11}e'_{22}\Delta_s}$$

$$s_{12,M} = \frac{b_3}{a_0} = e'_{03} + (e'_{23}e'_{01}) \frac{s_{12}}{1 - e'_{11}s_{11} - e'_{22}s_{22} + e'_{11}e'_{22}\Delta_s}$$

The calibrated S-parameters,  $s_{11}$ ,  $s_{12}$ ,  $s_{21}$ , and  $s_{22}$  can be solved using the four equations of the measured raw S-parameters. Using linear algebra, it can be shown that

$$s_{11} = \frac{\left( \frac{s_{11,M} - e_{00}}{e_{10}e_{01}} \right) \left[ 1 + \left( \frac{s_{22,M} - e'_{33}}{e'_{23}e'_{32}} \right) e'_{22} \right] - e_{22} \left( \frac{s_{21,M} - e_{30}}{e_{10}e_{32}} \right) \left( \frac{s_{12,M} - e'_{03}}{e'_{23}e'_{01}} \right)}{\Delta} \quad (3)$$

$$s_{12} = \frac{\left( \frac{s_{12,M} - e'_{03}}{e'_{23}e'_{01}} \right) \left[ 1 + \left( \frac{s_{11,M} - e_{00}}{e_{10}e_{01}} \right) (e_{11} - e'_{11}) \right]}{\Delta} \quad (4)$$

$$s_{21} = \frac{\left( \frac{s_{21,M} - e_{30}}{e_{10}e_{32}} \right) \left[ 1 + \left( \frac{s_{22,M} - e'_{33}}{e'_{23}e'_{32}} \right) (e'_{22} - e_{22}) \right]}{\Delta} \quad (5)$$

$$s_{22} = \frac{\left( \frac{s_{22,M} - e'_{33}}{e'_{23}e'_{32}} \right) \left[ 1 + \left( \frac{s_{11,M} - e_{00}}{e_{10}e_{01}} \right) e_{11} \right] - e'_{11} \left( \frac{s_{21,M} - e_{30}}{e_{10}e_{32}} \right) \left( \frac{s_{12,M} - e'_{03}}{e'_{23}e'_{01}} \right)}{\Delta} \quad (6)$$

$$\Delta = \left[ 1 + \left( \frac{s_{11,M} - e_{00}}{e_{10}e_{01}} \right) e_{11} \right] \left[ 1 + \left( \frac{s_{22,M} - e'_{33}}{e'_{23}e'_{32}} \right) e'_{22} \right] - \left( \frac{s_{21,M} - e_{30}}{e_{10}e_{32}} \right) \left( \frac{s_{12,M} - e'_{03}}{e'_{23}e'_{01}} \right) e_{22}e'_{11}$$

### PERFORMING CALIBRATION AND CALCULATING ERROR TERMS

A standard calibration kit, consisting of short, open, and load elements is usually used during calibration. However, it is possible to use common terminations (for example, 50 Ω SMA termination for load, SMA short for short, and an open circuit for open) to calibrate and obtain reasonably accurate results in this frequency range.

The following are procedures and calculations that are required to apply to the 12 error coefficients of the model. Note that each calibration step yields different error terms.

### Step 1: Reflection Calibration

The reflection calibration step involves measuring the reflection coefficient at each port using standard terminations. The standard terminations are short circuit (SC), open circuit (OC) and a fixed load (FL) of 50 Ω. The exact reflection coefficients of these standard terminations are assumed to be known (this data is generally provided with the calibration kit).

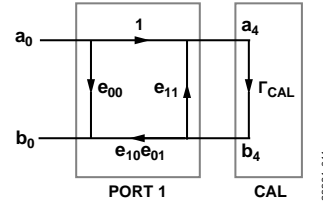


Figure 11. Reflection Calibration on the Forward Path

Figure 11 shows the flow graph of Port 1 with a standard termination.  $\Gamma_{CAL}$  is the reflection coefficient of the termination. The combined Port 1 and standard termination flow graph can be represented by Equation 7.

$$\begin{bmatrix} b_0 \\ a_0 \end{bmatrix} = T_1 \begin{bmatrix} \Gamma_{CAL} \\ 1 \end{bmatrix} a_4 \quad (7)$$

The measured reflection coefficient  $\Gamma_M$  at Port 1 can then be expressed as

$$\Gamma_M = \frac{b_0}{a_0} = \frac{e_{00} - \Gamma_{CAL}\Delta_e}{1 - \Gamma_{CAL}e_{11}} \text{ where } \Delta_e = e_{00}e_{11} - e_{10}e_{01}$$

Simplifying the equation yields

$$e_{00} + \Gamma_M\Gamma_{CAL}e_{11} - \Gamma_{CAL}\Delta_e = \Gamma_M$$

With the three standard terminations, three equations are obtained, as follows:

$$e_{00} + \Gamma_{M,OC}\Gamma_{CAL,OC}e_{11} - \Gamma_{CAL,OC}\Delta_e = \Gamma_{M,OC}$$

$$e_{00} + \Gamma_{M,SC}\Gamma_{CAL,SC}e_{11} - \Gamma_{CAL,SC}\Delta_e = \Gamma_{M,SC}$$

$$e_{00} + \Gamma_{M,FL}\Gamma_{CAL,FL}e_{11} - \Gamma_{CAL,FL}\Delta_e = \Gamma_{M,FL}$$

Next, solve the three error coefficients,  $e_{00}$ ,  $e_{11}$ , and  $e_{10}e_{01}$ .

Figure 12 shows the flow graph of Port 2 with a standard termination.

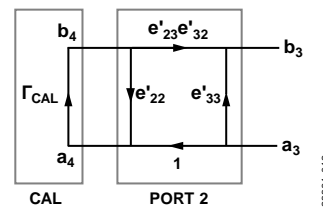


Figure 12. Reflection Calibration on the Reverse Path

Again, because of the symmetry between Port 1 and Port 2, the three equations using the three standard terminations are as follows:

$$e'_{33} + \Gamma_{M,OC}\Gamma_{CAL,OC}e'_{22} - \Gamma_{CAL,OC}\Delta'_e = \Gamma_{M,OC}$$

$$e'_{33} + \Gamma_{M,SC}\Gamma_{CAL,SC}e'_{22} - \Gamma_{CAL,OC}\Delta'_e = \Gamma_{M,SC}$$

$$e'_{33} + \Gamma_{M,FL}\Gamma_{CAL,FL}e'_{22} - \Gamma_{CAL,FL}\Delta'_e = \Gamma_{M,FL}$$

where  $\Gamma_M$  is the measured reflection coefficient at Port 2, and  $\Delta'_e = e'_{33}e'_{22} - e'_{23}e'_{32}$ .

Solve the next three error coefficients  $e'_{33}$ ,  $e'_{22}$ , and  $e'_{32}$ .

**Step 2: Isolation Calibration**

The isolation calibration step involves isolating the two ports by terminating both ports with a fixed load of 50 Ω, and then measuring the transmission coefficient. On the forward path, the forward leakage,  $e_{30}$ , is just equal to the forward transmission coefficient, as shown in Equation 8.

$$e_{30} = S_{21,M} \tag{8}$$

On the reverse path, the reverse leakage,  $e'_{03}$ , is just the reverse transmission coefficient:  $e'_{03} = S_{12,M}$ .

**Step 3: Through Calibration**

The through calibration step involves connecting the cables on the two ports together and measuring both the reflection and transmission coefficients. Note that, ideally the cables on Port 1 and Port 2 should have opposite genders to directly connect them together. If the two cables have the same gender, then a short SMA through should be used. This configuration, however, degrades overall accuracy, but results from lab measurements indicate that good accuracy is achievable if the through SMA element is relatively short.

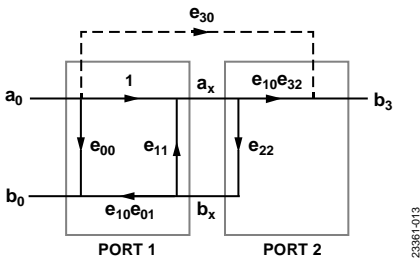


Figure 13. Through Calibration on the Forward Path

Figure 13 shows the forward signal flow graph during a through calibration. The flow graph from Port 1 to the connecting planes of the two ports can be expressed as

$$\begin{bmatrix} b_0 \\ a_0 \end{bmatrix} = T_1 \begin{bmatrix} e_{22} \\ 1 \end{bmatrix} a_x \tag{9}$$

The reflection coefficient at Port 1 can be obtained as

$$s_{11,M} = \frac{e_{00} - e_{22}\Delta_e}{1 - e_{22}e_{11}} \tag{10}$$

Note that the Port 2 match error coefficient,  $e_{22}$ , is the only unknown in Equation 9. The error coefficients  $e_{00}$ ,  $e_{11}$ , and  $\Delta_e$

are obtained beforehand from the reflection calibration. Solving for  $e_{22}$

$$e_{22} = \frac{s_{11,M} - e_{00}}{s_{11,M}e_{11} - \Delta_e}$$

The signal at Port 2 can be written as

$$b_3 = e_{30}a_0 + e_{10}e_{32}a_x$$

Dividing by  $a_0$ , yields  $s_{21,M}$

$$s_{21,M} \left| = e_{30} + (e_{10}e_{32}) \frac{1}{1 - e_{11}e_{22}} \right.$$

where  $\frac{a_x}{a_0} = \frac{1}{1 - e_{11}e_{22}}$

The forward transmission tracking error coefficient,  $e_{10}e_{32}$ , can now be obtained as

$$e_{10}e_{32} = (s_{21,M} - e_{30})(1 - e_{11}e_{22})$$

Note that  $e_{11}$ ,  $e_{22}$ , and  $e_{30}$  are known quantities at this point.

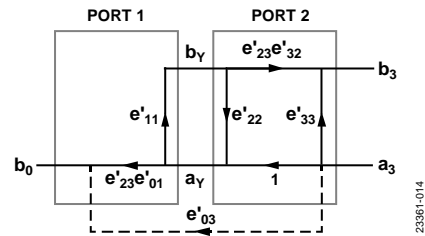


Figure 14. Through Calibration on the Reverse Path

Figure 14 shows the reverse signal flow graph during a through calibration. Because of the symmetry, the Port 1 match error coefficient,  $e'_{11}$ , can be obtained as

$$e'_{11} = \frac{s_{22,M} - e'_{33}}{s_{22,M}e'_{22} - \Delta_e}$$

Similarly, the reverse transmission tracking error coefficient,  $e'_{23}e'_{01}$ , can be derived as

$$e'_{23}e'_{01} = (s_{12,M} - e'_{03})(1 - e'_{11}e'_{22})$$

Take note of the error coefficients obtained from the reflection and isolation calibrations.

**REFLECTION COEFFICIENTS OF CALIBRATION KIT SHORT, OPEN, AND LOAD ELEMENTS**

Calibration kits generally provide the precise reflection coefficients of its short, open, and load elements. Less accurate but reasonable results can be achieved by using the ideal values shown in Table 1. These values can also be used if standard lab grade SMA connectors are used for calibration.

**Table 1. Ideal Reflection Coefficients of Short, Open, and Load Elements**

Termination	Reflection Coefficient ( $\Gamma_{CAL}$ )
Short	-1
Open	+1
Fixed 50 Ω Load	0



A standard termination can be accurately modeled as a terminated transmission line, its signal flow graph is shown in Figure 15.

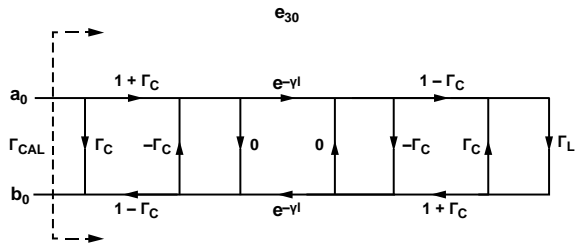


Figure 15. Terminated Transmission Line Model

The transmission line is characterized by its reflection coefficient,  $\Gamma_C$ , and propagation constant,  $\gamma$ .

The reflection coefficient,  $\Gamma_L$ , is 0 for the 50  $\Omega$  load. However, the short and open terminations are modeled as inductive and capacitive loads, respectively. The inductor model for the short termination is a third-order function of frequency, as follows:

$$L(f) = L_0 + L_1f + L_2f^2 + L_3f^3$$

The load impedance of the short termination is then

$$Z_L(f) = j2\pi fL(f)$$

The capacitor model for the open termination is also a third-order function of frequency

$$C(f) = C_0 + C_1f + C_2f^2 + C_3f^3$$

The load impedance of the open termination becomes

$$Z_L(f) = 1/[j2\pi fC(f)]$$

From the load impedance,  $Z_L(f)$ ,  $\Gamma_L$  can then be obtained as

$$\Gamma_L = \frac{Z_L(f) - Z_{REF}}{Z_L(f) + Z_{REF}}$$

where  $Z_{REF} = 50 \Omega$ .

Using T-matrices, the terminated transmission line is characterized by the equation

$$\begin{bmatrix} b_0 \\ a_0 \end{bmatrix} = T_1 T_2 T_3 \begin{bmatrix} \Gamma_L \\ 1 \end{bmatrix}$$

where:

$$T_1 = \frac{1}{1 + \Gamma_C} \begin{bmatrix} 1 & \Gamma_C \\ \Gamma_C & 1 \end{bmatrix}$$

$$T_2 = \frac{1}{e^{-\gamma l}} \begin{bmatrix} e^{-2\gamma l} & 0 \\ 0 & 1 \end{bmatrix}$$

$$T_3 = \frac{1}{1 - \Gamma_C} \begin{bmatrix} 1 & -\Gamma_C \\ -\Gamma_C & 1 \end{bmatrix}$$

simplified as

The matrix multiplication can be

$$T_1 T_2 = \frac{1}{e^{-\gamma l}(1 - \Gamma_C)} \begin{bmatrix} e^{-2\gamma l} & \Gamma_C \\ e^{-2\gamma l}\Gamma_C & 1 \end{bmatrix}$$

$$T_1 T_2 T_3 = \frac{1}{e^{-\gamma l}(1 - \Gamma_C^2)} \begin{bmatrix} (e^{-2\gamma l} - \Gamma_C^2) & -\Gamma_C(e^{-2\gamma l} - 1) \\ \Gamma_C(e^{-2\gamma l} - 1) & -(e^{-2\gamma l}\Gamma_C^2 - 1) \end{bmatrix}$$

The standard termination reflection coefficient,  $\Gamma_{CAL}$ , can now be obtained as

$$\Gamma_{CAL} = \frac{b_0}{a_0}$$

$$= \frac{\Gamma_L(e^{-2\gamma l} - \Gamma_C^2) - \Gamma_C(e^{-2\gamma l} - 1)}{\Gamma_L\Gamma_C(e^{-2\gamma l} - 1) - (e^{-2\gamma l}\Gamma_C^2 - 1)}$$

$$= \frac{\Gamma_C(1 - e^{-2\gamma l} - \Gamma_C\Gamma_L) + e^{-2\gamma l}\Gamma_L}{1 - \Gamma_C[e^{-2\gamma l}\Gamma_C + \Gamma_L(1 - e^{-2\gamma l})]}$$

The transmission line can also be characterized through its offset loss and offset delay, which are both easy to measure. The offset delay could also be obtained from termination length,  $l$ , as

$$\text{Offset Delay} = \frac{l}{c}$$

where  $c$  is the speed of light.

To account for the skin effect, the characteristic impedance,  $Z_C$ , can be derived as

$$Z_C = Z_0 + (1 - j) \left( \frac{\text{Offset Loss}}{4\pi f} \right) \sqrt{\frac{f}{10^9}}$$

where  $Z_0$  is the lossless characteristics impedance of the transmission line, which is also 50  $\Omega$ .

The propagation constant can also be expressed as

$$\gamma l = \alpha l + \beta l$$

where:

$$\alpha l = \frac{(\text{Offset Loss})(\text{Offset Delay})}{2Z_0} \sqrt{\frac{f}{10^9}}$$

$$\beta l = 2\pi f(\text{Offset Delay}) + \alpha l$$

If the offset loss is negligible and assumed to be 0,  $\Gamma_{CAL}$  can be simplified as

$$\Gamma_{CAL} = e^{-4\pi f(\text{Offset Delay})} \Gamma_L \Gamma_{CAL} = e^{-4\pi f(\text{offset delay})} \Gamma_L$$

### MEASURED RESULTS

Various measured results are shown in Figure 16, Figure 17, and Figure 18. To test the frequency range and dynamic range of the circuit, the Mini-Circuits® bandpass filter, ZAFBP-2100-S+ was used. Figure 16 shows the uncalibrated insertion loss and return loss of the filter. Figure 17 shows the response after calibration using a Keysight Technologies, Inc., 85033E standard mechanical calibration kit. Figure 18 shows the results of sweeps where 0 dB, -10 dB, -20 dB, -30 dB, and -40 dB

attenuators are measured. All measurements use dc offset compensation.

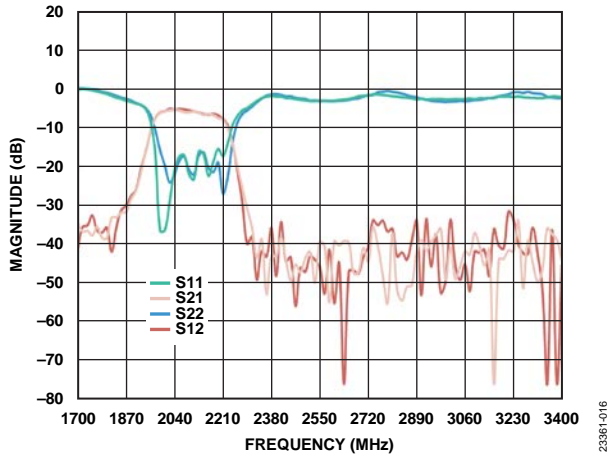


Figure 16. Measured Response of Mini-Circuits ZAFBP-2100-S+ Bandpass Filter Without Calibration

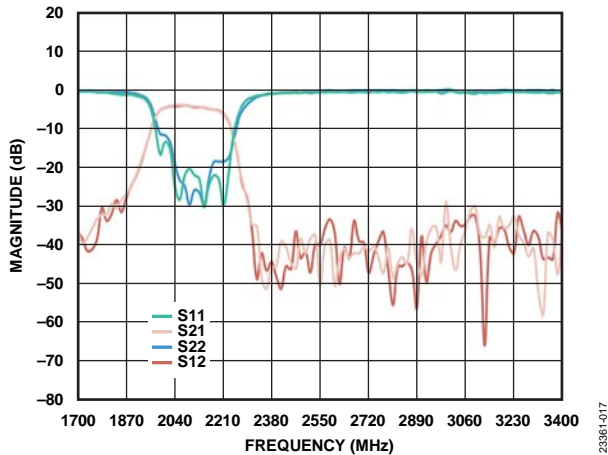


Figure 17. Measured Response of Mini-Circuits Bandpass Filter After Calibration Using Keysight Calibration Kit

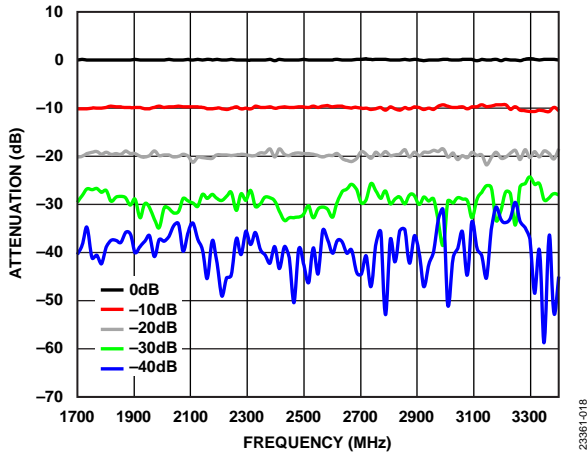


Figure 18. Measured Response of 0 dB, -10 dB, -20 dB, -30 dB, and -40 dB Attenuators After Calibration

## SOFTWARE ARCHITECTURE

The 2-port vector network analyzer shield comes with two software components, as shown in Figure 19. The first software component is the firmware (right-hand side of Figure 19), which runs on the [EVAL-ADICUP3029](#). The microcontroller unit (MCU) controls all the hardware devices of the network analyzer shield, such as the PLL, the multiplexing array, the programmable filters and the IQ demodulators. For each type of device, the firmware employs a device framework, which is a generalized model obtained by abstracting the function and behavior of a device. The firmware has been designed to have several layers of hardware abstraction in order to maintain modularity, enable code reuse and ease in code development and maintenance.

The second software component (left-hand side of Figure 19) is the computer application where the user can configure, calibrate, measure and view results. The application backend is responsible for processing all requests from the graphical user interface(GUI) as well as data handling. The computer application backend is also responsible for computing the s-parameters and performing calibration.

For more specific details on the firmware and host application, see the [CN0507 User Guide](#).

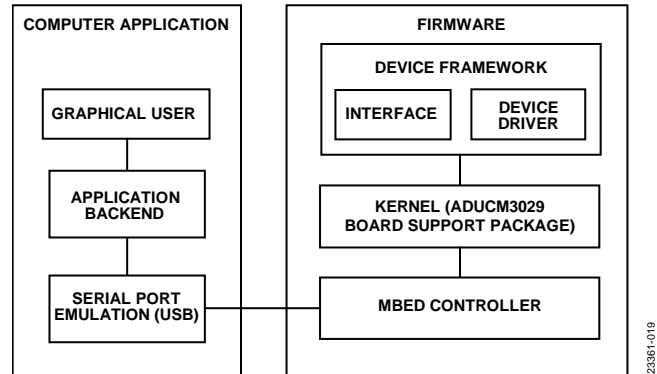


Figure 19. Software Components

### Firmware and Device Framework

Figure 20 shows the simplified block diagram of the 2-port network analyzer firmware. As shown in Figure 20, the MCU controls a single PLL, two multiplexing arrays, two low-pass filters, four I/Q demodulators, and two RF switches. The PLL, the multiplexing arrays, and the low-pass filters all share a single serial peripheral interface (SPI) bus.

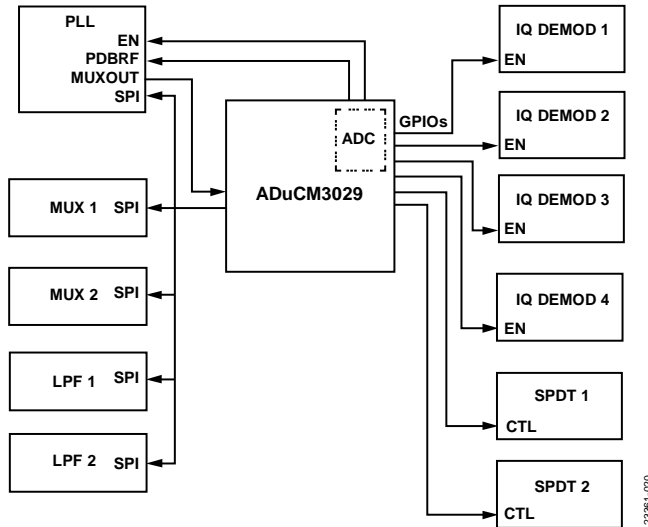


Figure 20. Simplified Block Diagram of ADuCM3029 Firmware

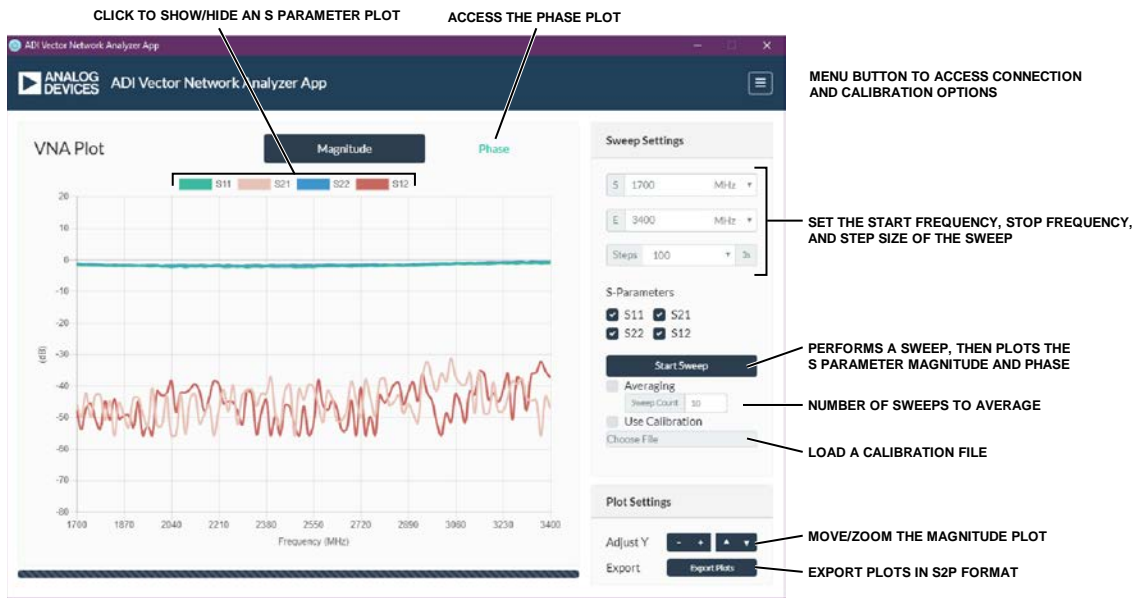


Figure 21. Computer Application GUI

**Computer Application**

The computer software component handles the calibration and the computation of the S-parameters. Figure 21 shows a screen capture of the application graphical user interface (GUI) that was developed using the open source platform of Node.js®. The GUI was designed to mimic bench type network analyzers.

All the settings and controls can be found on the right side of the GUI. Users configure the network analyzer with their desired sweep settings. Data handling between the computer application and firmware is optimized to produce an average sweep time of less than 1 second for a 100-point single-trace sweep, that is, processing a single S-parameter. Sweep time increases with the number of frequency points or steps and the number of S-parameters selected. To have a more consistent result, an averaging option is available.

The GUI provides flexibility in viewing the results. Users have the option to select which S-parameters to plot, and whether to view the magnitude or phase of the S-parameters. As an additional feature, the plots of the S-parameters can be saved in S2P standard format.

**COMMON VARIATIONS**

The nominal frequency range of the circuit is 1.7 GHz to 3.4 GHz. This frequency range is largely determined by the Mini-Circuits BDCN-14-342+ directional couplers. By swapping out these directional couplers with pin-compatible alternatives listed in Table 2, the operating frequency can be reduced to as low as 360 MHz.

**Table 2. Recommended Directional Couplers for Alternative Frequency Ranges**

Frequency Range	Recommended Part Number
1.7 GHz to 3.4 GHz	BDCN-14-342+ (Mini-Circuits)
0.824 GHz to 2.525 GHz	BDCN-15-25+ (Mini-Circuits)
0.36 GHz to 1 GHz	BDCN-20-13+ (Mini-Circuits)

The reference design provides an option to change the sensitivity of the network analyzer shield by varying the gain of the [AD8426](#) instrumentation amplifier. Note that the dynamic range remains unchanged. An improvement in sensitivity is accompanied by a decrease in the compression point of the system.

In the original design, the gain setting resistors of the [AD8426](#) have a value of 18.7 k $\Omega$ , which translates to an in-amp gain of 3.6 $\times$  and a compression point slightly higher than 10 dB. By changing the resistors to 5.49 k $\Omega$ , the in-gain increases to 10 $\times$ , but the compression point decreases to around 0 dBm. The effect of an in-amp gain of 10 $\times$  on the sensitivity is shown in Figure 22.

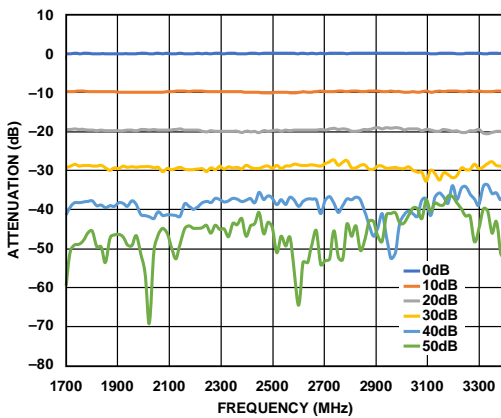


Figure 22. Measured Response with an In-Amp Gain of 10

## CIRCUIT EVALUATION AND TEST

For evaluation and test, a standard 10 dB SMA attenuator can be used as the device under test (DUT). The attenuator, which is a common piece of laboratory equipment, is a useful DUT because of its obvious S-parameters (that is,  $S_{21} = S_{12} = -10$  dB). The following is a list of equipment and software necessary to perform this circuit test.

### Equipment Requirements

The following equipment is required:

- [EVAL-CN0507-ARDZ](#)
- [EVAL-ADICUP3029](#)
- 6 V dc 2 A wall wart power supply
- 10 dB SMA attenuator
- Two short RF cables (SMA)
- PC with a USB port and Windows® 7 (32-bit) or higher
- USB type A to micro USB cable

### Software Requirements

The following software is required:

- Analog Devices vector network analyzer computer application
- [ADICUP3029](#) vector network analyzer firmware hex file

### Test Setup Functional Block Diagram

A functional diagram of the test setup is shown in Figure 23.

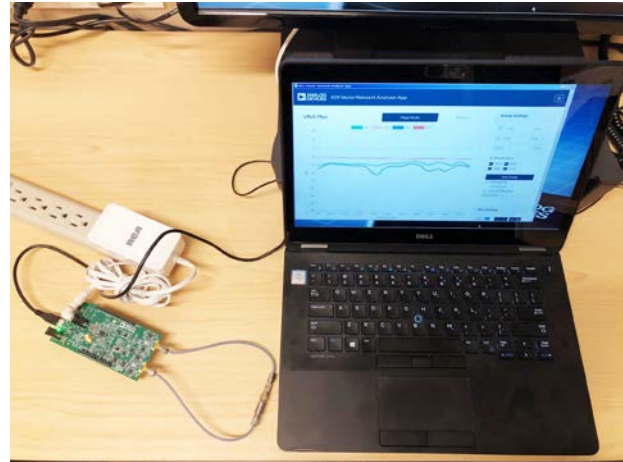


Figure 23. Test Setup for EVAL-CN0507-ARDZ

### Setup

Set up the circuit for evaluation as follows:

1. Install the [CN-0507](#) hardware on the [ADICUP3029](#) platform board.
2. Connect the [CN-0507](#) to the 6 V dc wall wart power supply.
3. Connect the [EVAL-ADICUP3029](#) USB port to the PC.
  - a. An additional drive named DAPLINK appears on the PC.
4. Download the firmware to [ADICUP3029](#) by dragging the [ADICUP3029](#) vector network analyzer hex file into the DAPLINK drive. The drive disconnects and reconnects to indicate a completed download.
5. Press the reset button of the ADICUP3029.
6. Run the Analog Devices vector network analyzer computer application. Select the appropriate COM port and then select **Connect**. Leave the setting to its default.
7. Leave the two ports of the network analyzer open. Click **Start Sweep** to perform a measurement.
8. Hide **S<sub>21</sub>** and **S<sub>12</sub>**. Figure 24 shows the measured **S<sub>11</sub>** and **S<sub>22</sub>**. The ideal plot is a horizontal line at 0 dB.

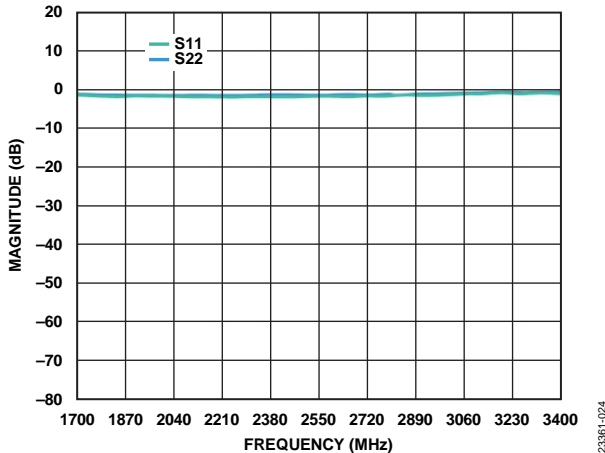


Figure 24. Measured  $S_{11}$  and  $S_{22}$  with Ports Open and No Calibration

9. Unhide  $S_{21}$  and  $S_{12}$ .
10. Hide  $S_1$  and  $S_2$ .
11. Connect the 10 dB SMA attenuator. Click **Start Sweep** to perform the measurement.
12. Figure 25 shows the measured  $S_{21}$  and  $S_{12}$ . The ideal plot is a horizontal line at  $-10$  dB.

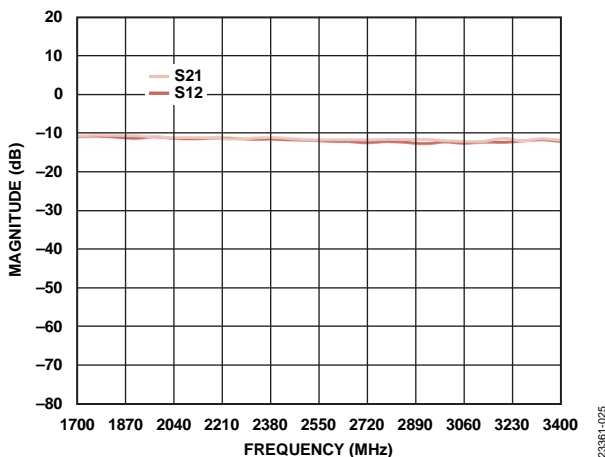


Figure 25. Measured  $S_{21}$  and  $S_{12}$  with a 10 dB Attenuator as DUT and No Calibration

For an accurate measure, calibrate the vector network analyzer before performing measurement. For complete details of the operation of the hardware and software, read the [CN-0507 user guide](#).

## LEARN MORE

CN0507 Design Support Package:

<http://www.analog.com/CN0507-DesignSupport>

AN-1353 Application Note: *How to Bypass VCO Calibration for the ADF4355-2, ADF4355, ADF4355-3, ADF4356, ADF5355, and ADF5356*, Analog Devices

CN-0507 User Guide

5989-4840EN Application Note: *Specifying Calibration Standards and Kits for Keysight Vector Network Analyzers*, Keysight Technologies

## Data Sheets and Evaluation Boards

[ADF4355-3 Data Sheet](#)

[ADF4355-3 Evaluation Board](#)

[ADL5380 Data Sheet](#)

[ADL5380 Evaluation Board](#)

[HMC1044 Data Sheet](#)

[HMC1044 Evaluation Board](#)

[HMC8038 Data Sheet](#)

[HMC8038 Evaluation Board](#)

[HMC788A Data Sheet](#)

[HMC788A Evaluation Board](#)

[ADG739 Data Sheet](#)

[ADG739 Evaluation Board \(EVAL-16TSSOP\)](#)

[AD8426 Data Sheet](#)

[ADR127 Data Sheet](#)

[ADM7150 Data Sheet](#)

[ADM7150 Evaluation Board](#)

[ADM7172 Data Sheet](#)

[ADM7172 Evaluation Board](#)

[CN-0507 Circuit Evaluation Board \(EVAL-CN0507-ARDZ\)](#)

[Arduino-Compatible Platform Board \(EVAL-ADICUP3029\)](#)

## REVISION HISTORY

2/2020—Rev. 0: Initial Version

(Continued from first page) Circuits from the Lab circuits are intended only for use with Analog Devices products and are the intellectual property of Analog Devices or its licensors. While you may use the Circuits from the Lab circuits in the design of your product, no other license is granted by implication or otherwise under any patents or other intellectual property by application or use of the Circuits from the Lab circuits. Information furnished by Analog Devices is believed to be accurate and reliable. However, "Circuits from the Lab" are supplied "as is" and without warranties of any kind, express, implied, or statutory including, but not limited to, any implied warranty of merchantability, noninfringement or fitness for a particular purpose and no responsibility is assumed by Analog Devices for their use, nor for any infringements of patents or other rights of third parties that may result from their use. Analog Devices reserves the right to change any Circuits from the Lab circuits at any time without notice but is under no obligation to do so.

©2020 Analog Devices, Inc. All rights reserved. Trademarks and registered trademarks are the property of their respective owners.  
CN23361-2/20(0)



[www.analog.com](http://www.analog.com)