



This document contains information considered proprietary, and shall not be reproduced wholly or in part, nor disclosed to others without specific written permission.

HARDWARE NAME: MAX17523A_EVKIT_A

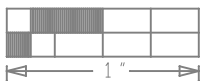
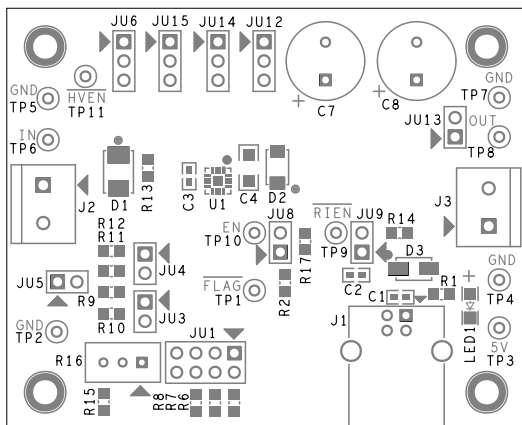
HARDWARE NUMBER:

ENGINEER:

DESIGNER:

DATE: 01/28/2022

ODB++/GERBER: SILK_TOP





This document contains information considered proprietary, and shall not be reproduced wholly or in part, nor disclosed to others without specific written permission.

HARDWARE NAME: MAX17523A_EVKIT_A

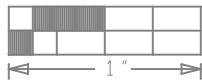
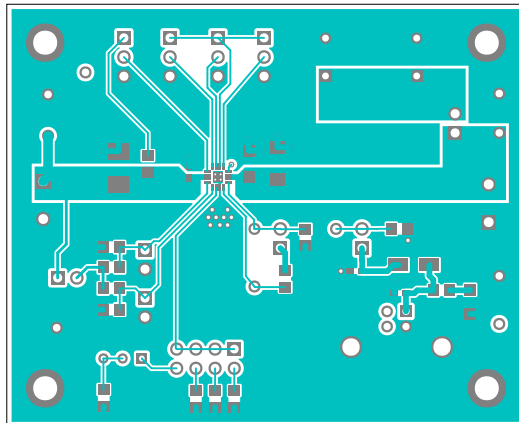
HARDWARE NUMBER:

ENGINEER:

DESIGNER:

DATE: 01/28/2022

ODB++/GERBER: TOP





This document contains information considered proprietary, and shall not be reproduced wholly or in part, nor disclosed to others without specific written permission.

HARDWARE NAME: MAX17523A_EVKIT_A

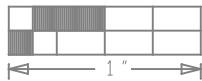
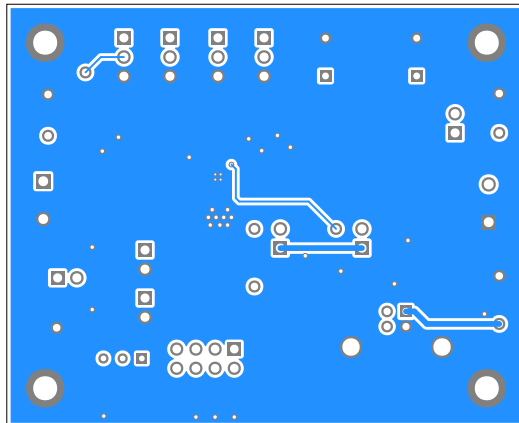
HARDWARE NUMBER:

ENGINEER:

DESIGNER:

DATE: 01/28/2022

ODB++/GERBER: BOTTOM





This document contains information considered proprietary, and shall not be reproduced wholly or in part, nor disclosed to others without specific written permission.

HARDWARE NAME: MAX17523A_EVKIT_A

HARDWARE NUMBER:

ENGINEER:

DESIGNER:

DATE: 01/28/2022

ODB++/GERBER: SILK_BOT

