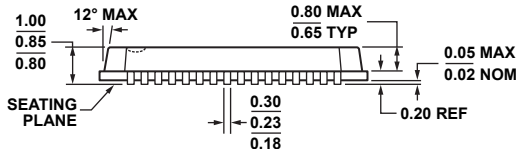
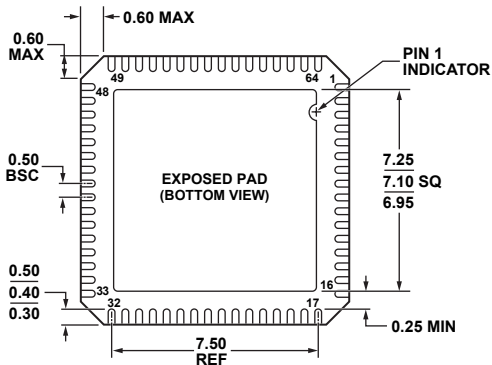
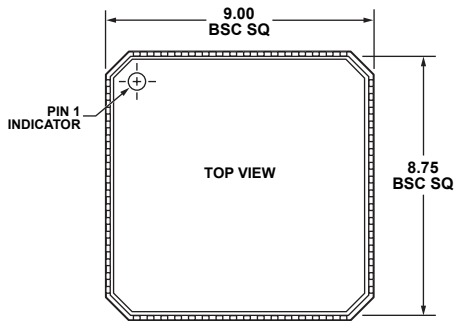


64-Lead Lead Frame Chip Scale Package [LFCSP_VQ]
9 x 9 mm Body, Very Thin Quad
(CP-64-3)
 Dimensions shown in millimeters



COMPLIANT TO JEDEC STANDARDS MO-220-VMMD-4