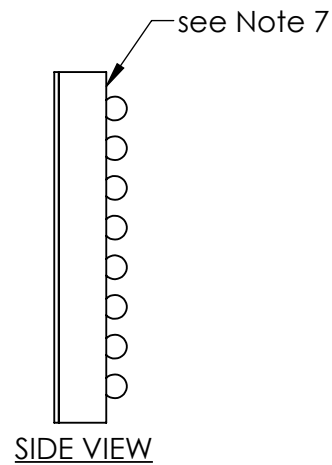
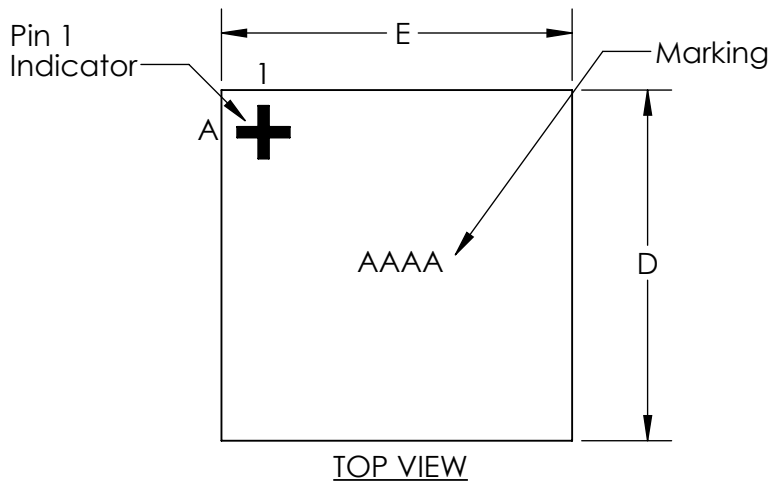
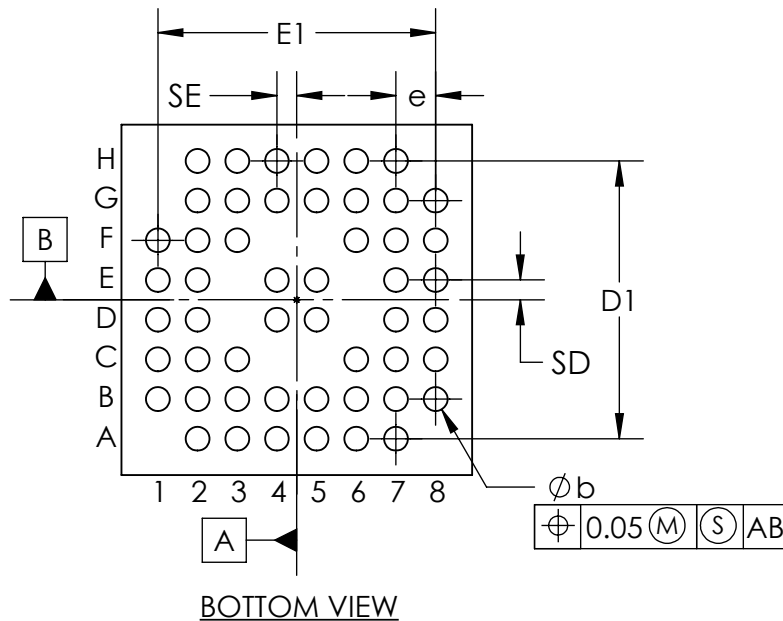
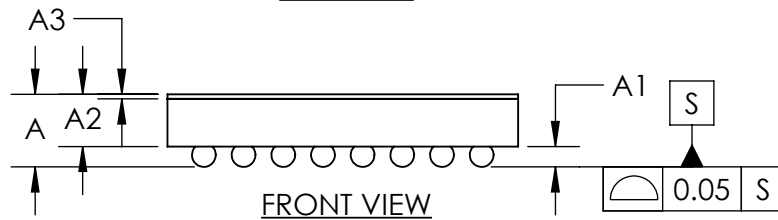


DOCUMENT TYPE: POD
DOCUMENT ID #: 21-100711
REVISION: A-000
DOCUMENT TITLE: PACKAGE OUTLINE 51 BUMPS WLP PKG. 0.35 m
EFFECTIVE DATE: 03/19/2023
EXPIRATION DATE:
CHANGE NUMBER: 1182627
ORIGINATOR: Merla Avendano

REASON FOR CHANGE:
TS40 0.35mmp 8x8 (depopulated, total 51 pins) 3.6V std WLP NPI for Micros



COMMON DIMENSIONS	
A	0.64 ±0.05
A1	0.18 ±0.03
A2	0.46 REF
A3	0.04 BASIC
b	∅0.21 ±0.03
D	3.092 ±0.025
E	3.092 ±0.025
D1	2.45 BASIC
E1	2.45 BASIC
e	0.35 BASIC
SD	0.175 BASIC
SE	0.175 BASIC
DEPOPULATED BUMPS: A1, A8, C4, C5, D3, D6, E3, E6, F4, F5, G1, H1, H8	



- NOTES:
1. Terminal pitch is defined by terminal center to center value.
 2. Outer dimension is defined by center lines between scribe lines.
 3. All dimensions in millimeter.
 4. Marking shown is for package orientation reference only.
 5. Tolerance is ± 0.02 unless specified otherwise.
 6. All dimensions apply to PbFree (+) package codes only.
 7. Front - side finish can be either Black or Clear.

- DRAWING NOT TO SCALE -

TITLE PACKAGE OUTLINE 51 BUMPS WLP PKG. 0.35 mm PITCH, W513A3+1			
APPROVAL	DOCUMENT CONTROL NO.	REV.	
	21-100711	A	1/1

