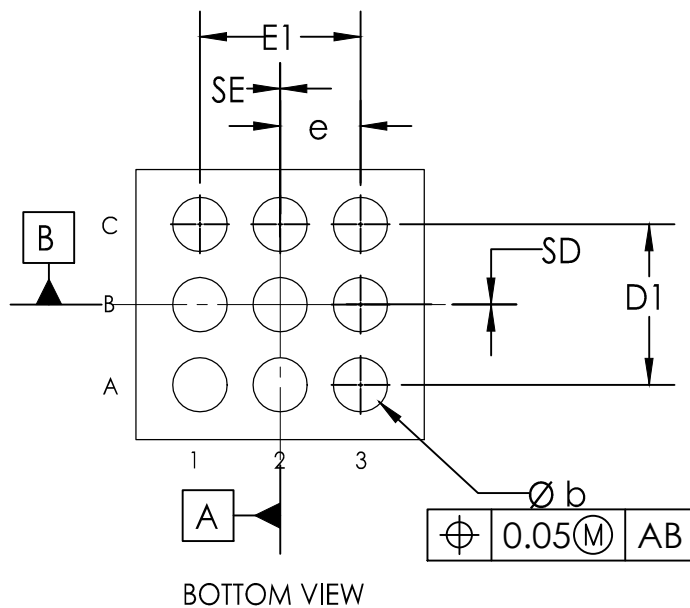
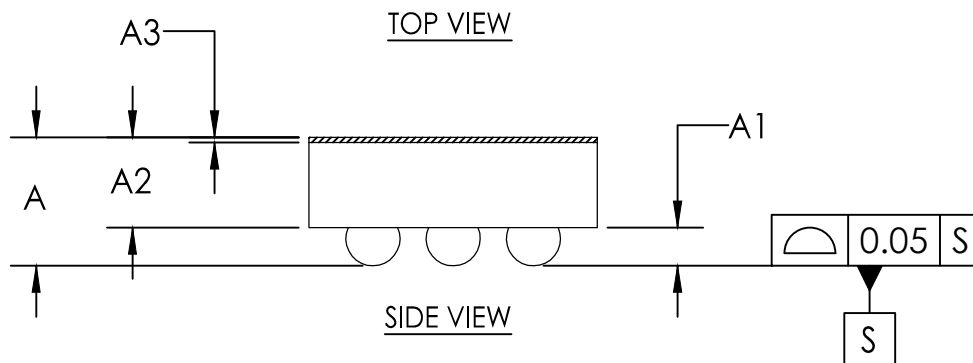


COMMON DIMENSIONS	
A	0.64±0.05
A1	0.19±0.03
A2	0.45 REF
A3	0.04 BASIC
b	∅ 0.27±0.03
D	1.347 ±0.025
D1	0.80 BASIC
E	1.437 ±0.025
E1	0.80 BASIC
e	0.40 BASIC
SD	0.00 BASIC
SE	0.00 BASIC
DEPOPULATED BUMPS: NONE	



NOTES:

1. Terminal pitch is defined by terminal center to center value.
2. Outer dimension is defined by center lines between scribe lines.
3. All dimensions in millimeter.
4. Marking shown is for package orientation reference only.
5. Tolerance is ± 0.02 unless specified otherwise.
6. All dimensions apply to PbFree (+) package codes only.
7. Front - side finish can be either Black or Clear.



TITLE PACKAGE OUTLINE 9 BUMPS  
WLP PKG 0.40mm PITCH, W91F1+1

APPROVAL  
TIE WANG 06/27/14

DOCUMENT CONTROL NO.  
21-0896

REV.  
B 1/1