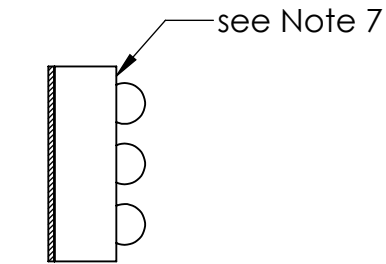
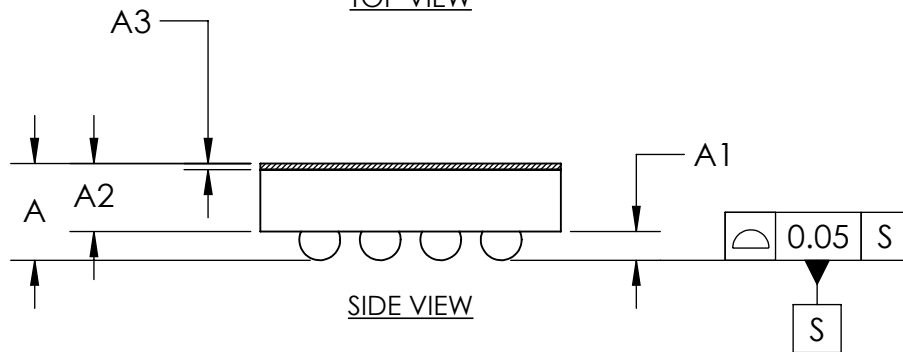


TOP VIEW

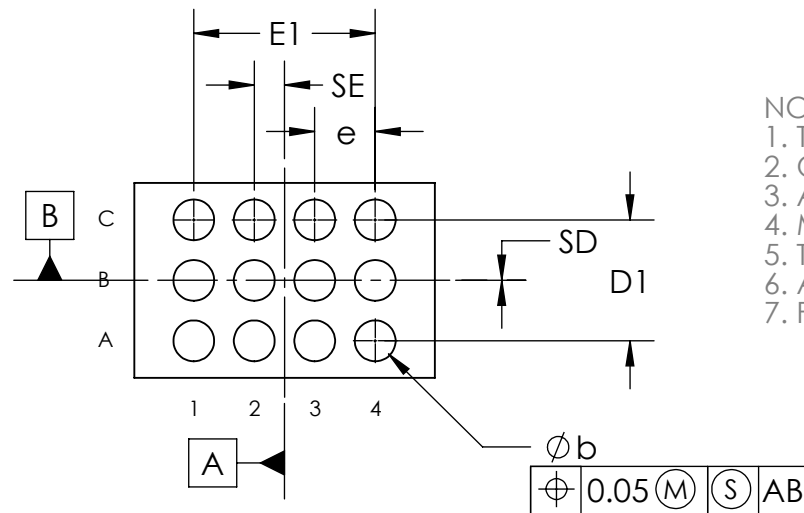


FRONT VIEW

COMMON DIMENSIONS	
A	0.64±0.05
A1	0.19±0.03
A2	0.45 REF
A3	0.040 BASIC
b	∅0.27±0.03
D	1.288±0.025
E	1.988±0.025
D1	0.80 BASIC
E1	1.20 BASIC
e	0.40 BASIC
SD	0.00 BASIC
SE	0.20 BASIC
DEPOPULATED BUMPS: NONE	



SIDE VIEW



BOTTOM VIEW

- NOTES:
1. Terminal pitch is defined by terminal center to center value.
 2. Outer dimension is defined by center lines between scribe lines.
 3. All dimensions in millimeter.
 4. Marking shown is for package orientation reference only.
 5. Tolerance is ± 0.02 unless specified otherwise.
 6. All dimensions apply to PbFree (+) package codes only.
 7. Front - side finish can be either Black or Clear.

- DRAWING NOT TO SCALE -

		
TITLE PACKAGE OUTLINE 12 BUMPS WLP PKG 0.40mm PITCH, W121F2+1		
APPROVAL TIE WANG 06/27/14	DOCUMENT CONTROL NO. 21-0891	REV. B 1/1