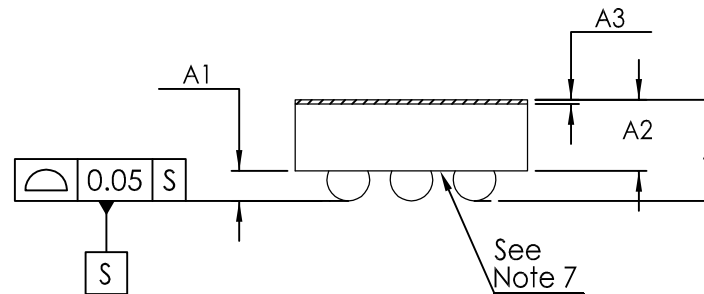


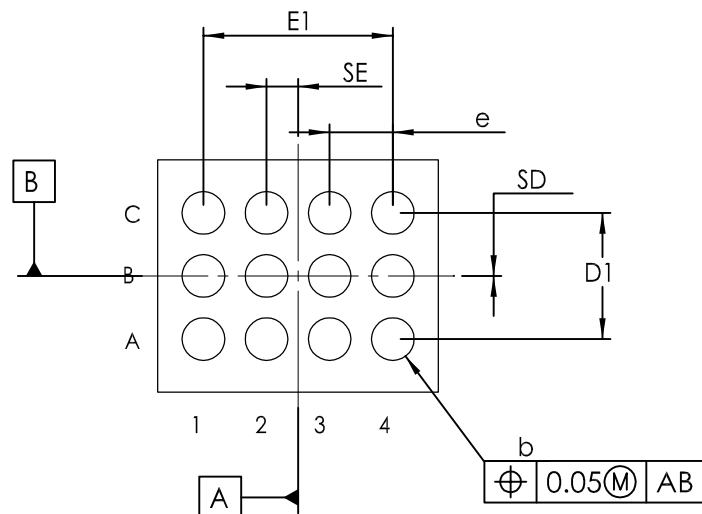
TOP VIEW



SIDE VIEW

COMMON DIMENSIONS	
A	0.64 ±0.05
A1	0.19 ±0.03
A2	0.45 REF
A3	0.04 BASIC
b	∅ 0.27 ±0.03
D1	0.80 BASIC
E1	1.20 BASIC
e	0.40 BASIC
SD	0.00 BASIC
SE	0.20 BASIC

PKG. CODE	E	D	DEPOPULATED BUMPS
W121G1+1	1.828 ±0.025	1.288 ±0.025	NONE
W121A1+1	1.680 ±0.070	1.300 ±0.070	NONE
W121F1+1	1.625 ±0.015	1.235 ±0.015	NONE
W121F2+1	1.988 ±0.025	1.288 ±0.025	NONE
W121H1+1	1.617 ±0.025	1.217 ±0.025	NONE



BOTTOM VIEW

NOTES:

1. Terminal pitch is defined by terminal center to center value.
2. Outer dimension is defined by center lines between scribe lines.
3. All dimensions in millimeter.
4. Marking shown is for package orientation reference only.
5. Tolerance is ± 0.02 unless specified otherwise.
6. All dimensions apply to PbFree (+) package codes only.
7. Front - side finish can be either Black or Clear.

-DRAWING NOT TO SCALE-



TITLE			
PACKAGE OUTLINE 12 BUMPS, WLP PKG. 0.4mm PITCH			
APPROVAL	DOCUMENT CONTROL NO.	REV.	
	21-0542	F	1/1