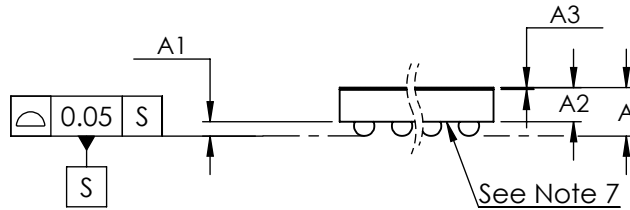


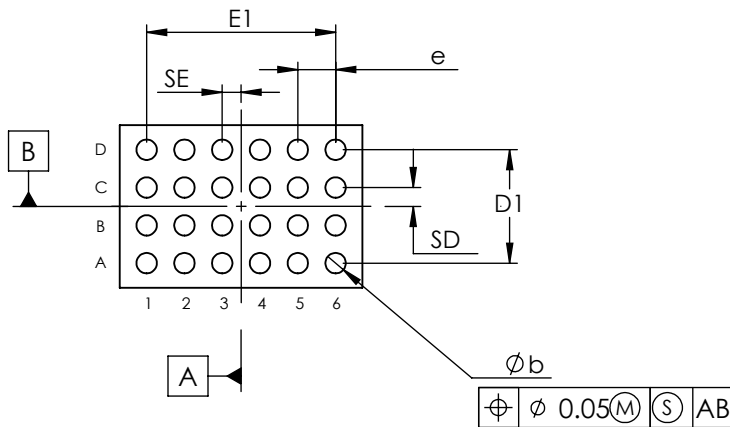
TOP VIEW



SIDE VIEW

COMMON DIMENSIONS	
A	0.64 ±0.05
A1	0.24 ±0.03
A2	0.40 REF
A3	0.025 BASIC
b	∅0.31±0.03
D1	1.50
E1	2.50
e	0.50 BASIC
SD	0.25 BASIC
SE	0.25 BASIC

PKG. CODE	E	D	DEPOPULATED BUMPS
W242A3Z+1	3.020±0.010	2.070±0.010	NONE
W242B3Z+1	3.175±0.015	2.115±0.015	NONE
W242C3Z+1	3.115±0.015	2.115±0.015	NONE



BOTTOM VIEW

NOTES:

1. Terminal pitch is defined by terminal center to center value.
2. Outer dimension is defined by center lines between scribe lines.
3. All dimensions in millimeter.
4. Marking shown is for package orientation reference only.
5. Tolerance is ± 0.02 unless specified otherwise.
6. All dimensions apply to PbFree (+) package codes only.
7. Front - side finish can be either Black or Clear.

- DRAWING NOT TO SCALE -



TITLE PACKAGE OUTLINE, 24 BUMPS WLP PKG. (HIGH CURRENT) 0.5mm PITCH		
APPROVAL TIE WANG 05/07/12	DOCUMENT CONTROL NO. 21-0538	REV. C 1/1