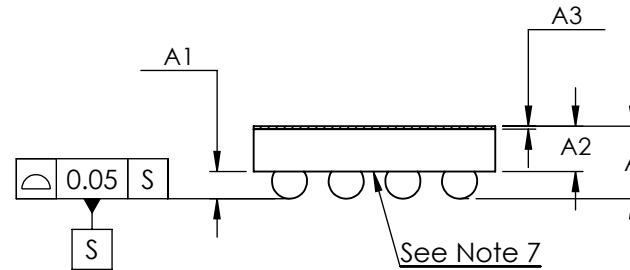


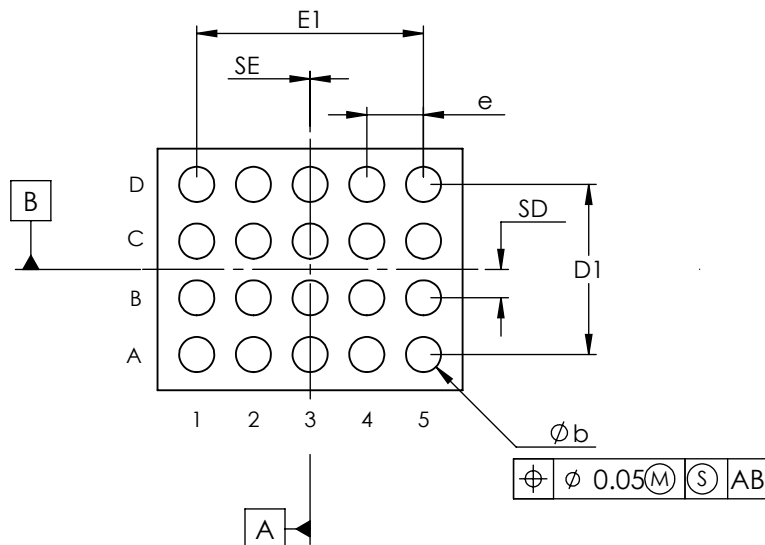
TOP VIEW



SIDE VIEW

COMMON DIMENSIONS	
A	0.64 ±0.05
A1	0.24 ±0.03
A2	0.40 REF
A3	0.025 BASIC
b	∅0.31 ±0.03
D1	1.50
E1	2.00
e	0.50 BASIC
SD	0.25 BASIC
SE	0.00 BASIC

PKG. CODE	E		D		DEPOPULATED BUMPS
	MIN	MAX	MIN	MAX	
W202A2Z+3	2.54	2.57	2.03	2.06	NONE
W202D2Z+1	2.49	2.52	2.05	2.08	NONE
W202E2Z+1	2.68	2.71	2.12	2.15	NONE



BOTTOM VIEW

NOTES:

1. Terminal pitch is defined by terminal center to center value.
2. Outer dimension is defined by center lines between scribe lines.
3. All dimensions in millimeter.
4. Marking shown is for package orientation reference only.
5. Tolerance is ± 0.02 unless specified otherwise.
6. All dimensions apply to PbFree (+) package codes only.
7. Front - side finish can be either Black or Clear.

- DRAWING NOT TO SCALE -



TITLE PACKAGE OUTLINE 20 BUMPS
WLP PKG. (HIGH CURRENT) 0.5mm PITCH

APPROVAL TIE WANG 01/20/12	DOCUMENT CONTROL NO. 21-0505	REV. C 1/1
----------------------------------	---------------------------------	---------------