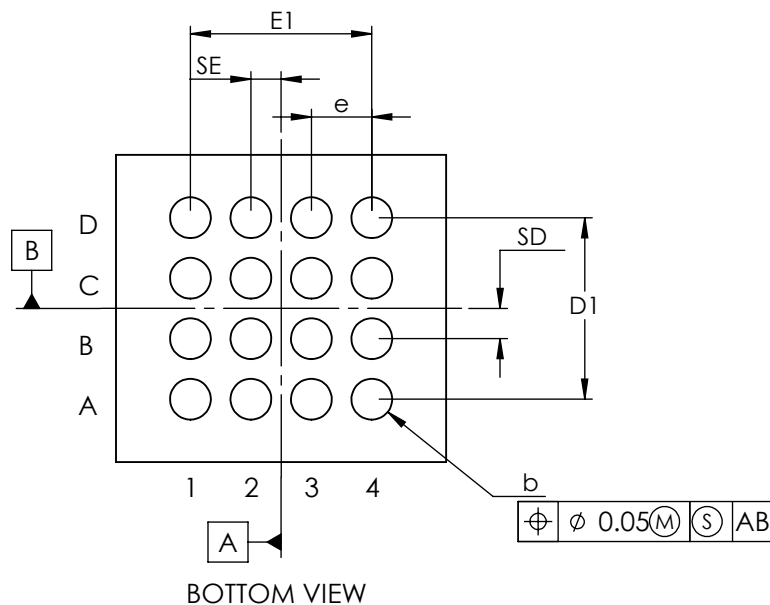


COMMON DIMENSIONS	
A	0.64 ±0.05
A1	0.19 ±0.03
A2	0.45 REF
A3	0.04 BASIC
b	∅0.27 ±0.03
D1	1.20 BASIC
E1	1.20 BASIC
e	0.40 BASIC
SD	0.20 BASIC
SE	0.20 BASIC

PKG. CODE	E	D	DEPOPULATED BUMPS
W161B1+1	1.660±0.025	1.660±0.025	NONE
W161C1+1	1.898±0.025	1.798±0.025	NONE
W162E2+1	2.145±0.025	1.995±0.025	NONE
W161D1+1	1.824±0.025	1.824±0.025	NONE
W161A2+1	1.997±0.025	1.947±0.025	NONE
W161F1+1	1.617±0.025	1.617±0.025	NONE
W162K2+1	1.998±0.025	2.057±0.025	NONE
W161G1+1	1.917±0.025	1.887±0.025	NONE



- NOTES:
1. Terminal pitch is defined by terminal center to center value.
 2. Outer dimension is defined by center lines between scribe lines.
 3. All dimensions in millimeter.
 4. Marking shown is for package orientation reference only.
 5. Tolerance is ± 0.02 unless specified otherwise.
 6. All dimensions apply to PbFree (+) package codes only.
 7. Front - side finish can be either Black or Clear.

-DRAWING NOT TO SCALE-

 maxim integrated™	
TITLE PACKAGE OUTLINE 16 BUMPS WLP PKG. 0.4mm PITCH	
APPROVAL	DOCUMENT CONTROL NO. 21-0491
REV. K	1/1