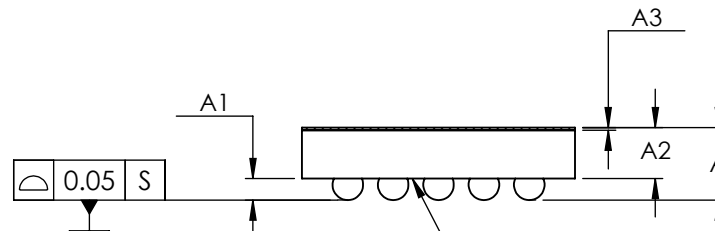
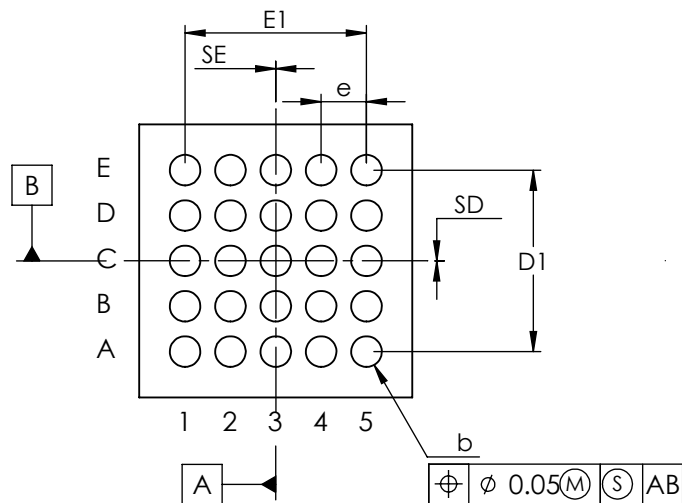


TOP VIEW



SIDE VIEW

COMMON DIMENSIONS		
A	0.64	±0.05
A1	0.19	±0.03
A2	0.45	REF
A3	0.025	BASIC
b	∅0.27	±0.03
D1	1.60	
E1	1.60	
e	0.40	BASIC
SD	0.00	BASIC
SE	0.00	BASIC



BOTTOM VIEW

PKG. CODE	E	D	DEPOPULATED BUMPS
W252D2+1	2.305±0.055	2.305±0.055	NONE
W252F2+1	2.09±0.07	2.09±0.07	NONE
W252G2+1	2.38±0.06	2.28±0.06	NONE
W252H2+1	2.425±0.015	2.425±0.015	NONE
W252J2+1	2.045±0.015	2.045±0.015	NONE
W252K2+1	2.378±0.015	2.378±0.015	NONE

NOTES:

1. Terminal pitch is defined by terminal center to center value.
2. Outer dimension is defined by center lines between scribe lines.
3. All dimensions in millimeter.
4. Marking shown is for package orientation reference only.
5. Tolerance is ± 0.02 unless specified otherwise.
6. All dimensions apply to PbFree (+) package codes only.
7. Front - side finish can be either Black or Clear.

- DRAWING NOT TO SCALE -



TITLE		PACKAGE OUTLINE 25 BUMPS, WLP PKG. 0.4mm PITCH	
APPROVAL TIE WANG 08/30/12	DOCUMENT CONTROL NO. 21-0453	REV. E	1/1