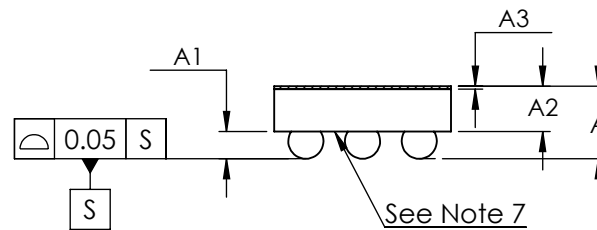


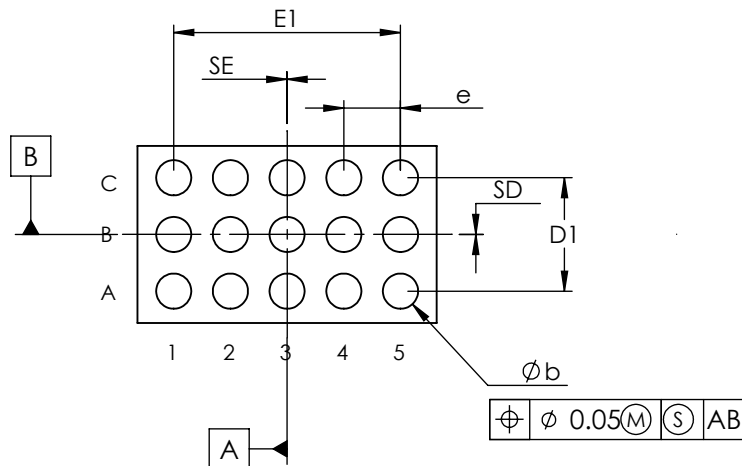
TOP VIEW



SIDE VIEW

COMMON DIMENSIONS	
A	0.64 ±0.05
A1	0.24 ±0.03
A2	0.40 REF
A3	0.025 BASIC
b	∅0.31 ±0.03
D1	1.00
E1	2.00
e	0.50 BASIC
SD	0.00 BASIC
SE	0.00 BASIC

PKG. CODE	E		D		DEPOPULATED BUMPS
	MIN	MAX	MIN	MAX	
W151A2+1	2.44	2.64	1.43	1.67	NONE
W151B2+1	2.64	2.67	1.56	1.59	NONE



BOTTOM VIEW

NOTES:

1. Terminal pitch is defined by terminal center to center value.
2. Outer dimension is defined by center lines between scribe lines.
3. All dimensions in millimeter.
4. Marking shown is for package orientation reference only.
5. Tolerance is ± 0.02 unless specified otherwise.
6. All dimensions apply to PbFree (+) package codes only.
7. Front - side finish can be either Black or Clear.

- DRAWING NOT TO SCALE -



TITLE PACKAGE OUTLINE
15 BUMPS, WLP PKG. 0.5mm PITCH

APPROVAL TIE WANG 03/30/11	DOCUMENT CONTROL NO. 21-0205	REV. D	1/1
----------------------------------	---------------------------------	-----------	-----